

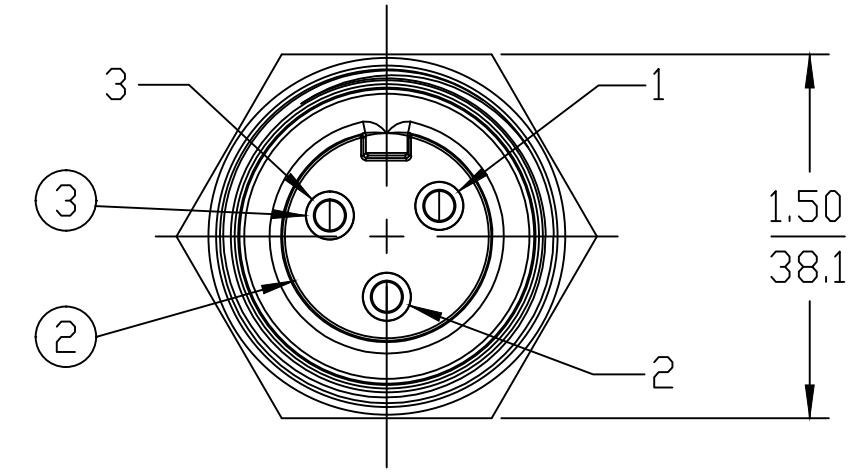
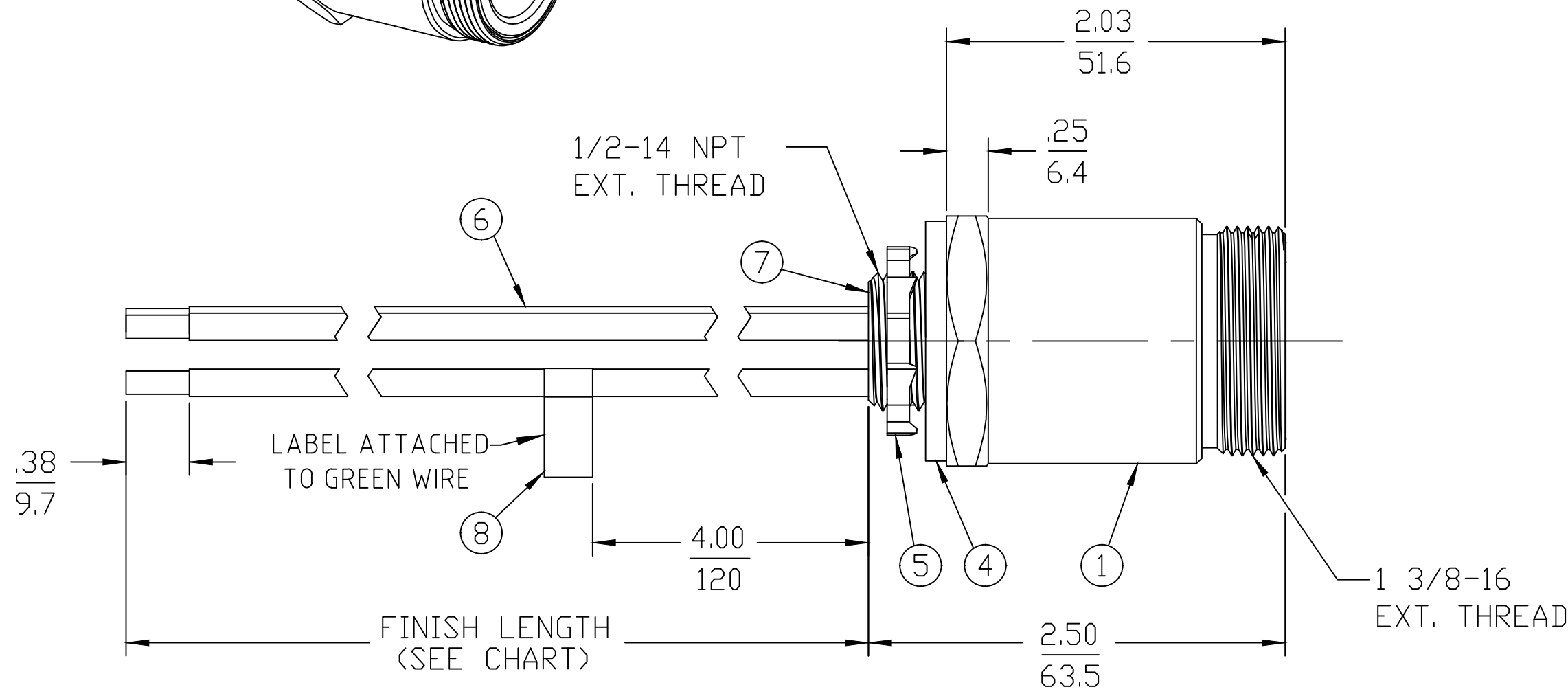
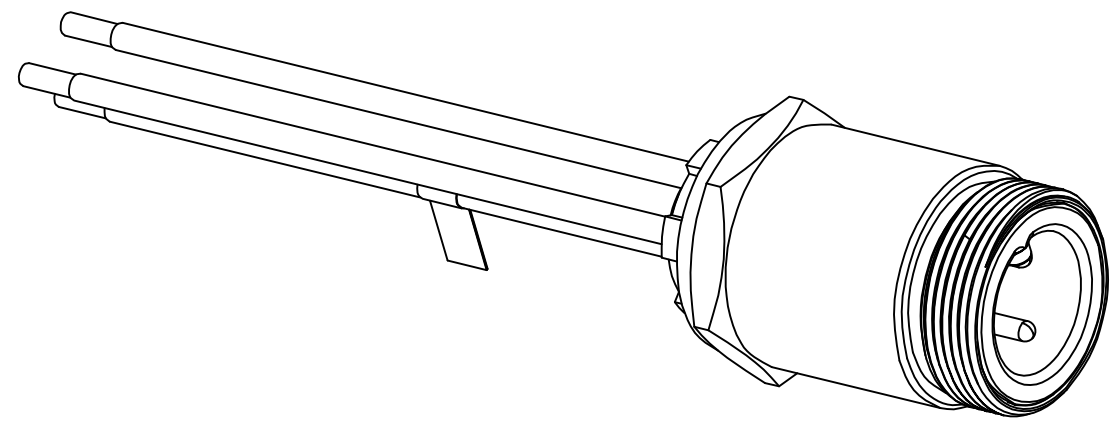
MATERIAL NUMBER	OLD PART NUMBER	FINISH LENGTH
1300660255	CR3006A30M005	1.64' [0.5M]
1300660119	CR3006A30M010	3.28' [1.0M]
1300660121	CR3006A30M020	6.56' [2.0M]

**PART NUMBER LEGEND**  
**CR3006A30M005**

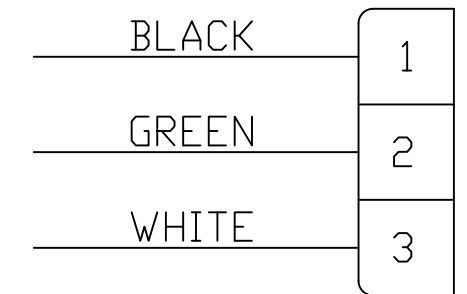
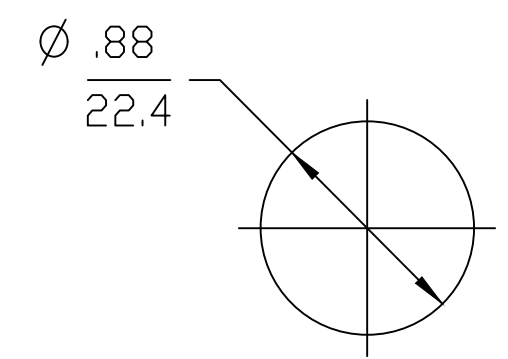
**LENGTH**  
M005 = 0.5 METER  
M010 = 1 METER  
M100 = 10 METER

**CABLE LENGTH TOLERANCES**

>.3M [1FT]:	+19mm-0 [+0.75in-0]
.3 - .9M [1 - 3FT]:	+44.5mm-0 [+1.75in-0]
.9 - 1.8M [3 - 6FT]:	+55.6mm-0 [+2.19in-0]
1.8 - 3.7M [6 - 12FT]:	+88.9mm-0 [+3.50in-0]
3.7 - 7.3M [12 - 24FT]:	+165.1mm-0 [+6.50in-0]
7.3-14.6M [24 - 48FT]:	+317.5mm-0 [+12.50in-0]
14.6 - 30.5M [48-100FT]:	+622.3mm-0 [+24.50in-0]
OVER 30M [100FT]	+2% OF FINISHED LENGTH



- NOTES:**
- MATERIAL: AS NOTED
  - FINISH: AS NOTED
  - ELECTRICAL:  
VOLTAGE: 3P: 630V PER IEC60664  
600V PER UL2237  
CURRENT: 32A
  - TEMP RATING: -20°TO +90°C
  - PROTECTION: IP67 (WHEN MATED)
  - COUPLING THREAD: 1 3/8-16UN
  - UL LISTED FILE: E258922
  - ALL DIMS ARE FOR REFERENCE UNLESS NOTED OTHERWISE



ITEM	QTY.	DESCRIPTION	MATERIAL	FINISH
8	1	FLAG LABEL	VINYL	YELLOW
7	A/R	POTTING	EPOXY	BLACK
6	3	WIRE, 10 AWG UL 1015 (B)	PVC JACKET	SEE WIRING DIAGRAM
5	1	LOCKNUT	STEEL	ZINC PLATED
4	1	GASKET	NEOPRENE	BLACK
3	3	PIN CONTACT	COPPER ALLOY	GOLD PLATED
2	1	MALE INSERT, 3 POLE	PVC	BLACK
1	1	RECEPTACLE SHELL	ALUMINUM	CLEAR ANODIZED

UL 1015 WAS THHN	EC NO: IPG2019-0200	DRWN: JCAPPOZZ 2018/11/19	CH'KD: ---	APPR: BWOODMAN2018/12/18	DESCRIPTION
QUALITY SYMBOL	▽=0	▽C=0			

GENERAL TOLERANCES (UNLESS SPECIFIED)		DIMENSION STYLE IN/MM		SCALE 4:1	DESIGN UNITS INCH	THIRD ANGLE PROJECTION	
4 PLACES	±---	mm	INCH	DRAWN BY JCAPPOZZ	DATE 2018/11/19	TITLE	
3 PLACES	±---			CHECKED BY	DATE	BRAD POWER MALE, 1/2" NPT, 3 POLE RECEPTACLE ASSEMBLY	
2 PLACES	±---			APPROVED BY	DATE	MOLEX INCORPORATED	
1 PLACE	±---			MATERIAL NO. SEE P/N CHART	DOCUMENT NO. SD-130066-058	SHEET NO. 1 OF 1	
ANGULAR ±---		DRAFT WHERE APPLICABLE MUST REMAIN WITHIN DIMENSIONS		THIS DRAWING CONTAINS INFORMATION THAT IS PROPRIETARY TO MOLEX INCORPORATED AND SHOULD NOT BE USED WITHOUT WRITTEN PERMISSION			

REF. THIS DRAWING SUPERSEDES COCREATE REV. A

# Mouser Electronics

Authorized Distributor

Click to View Pricing, Inventory, Delivery & Lifecycle Information:

[Molex:](#)

[1300660121](#)