

6 5 4 3 2 1

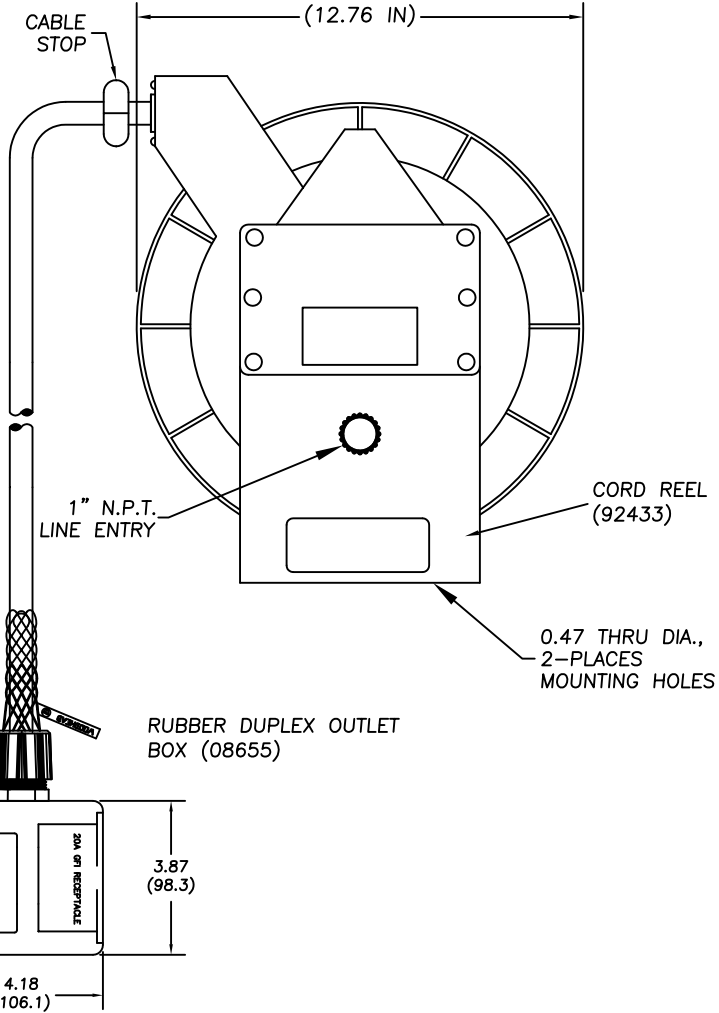
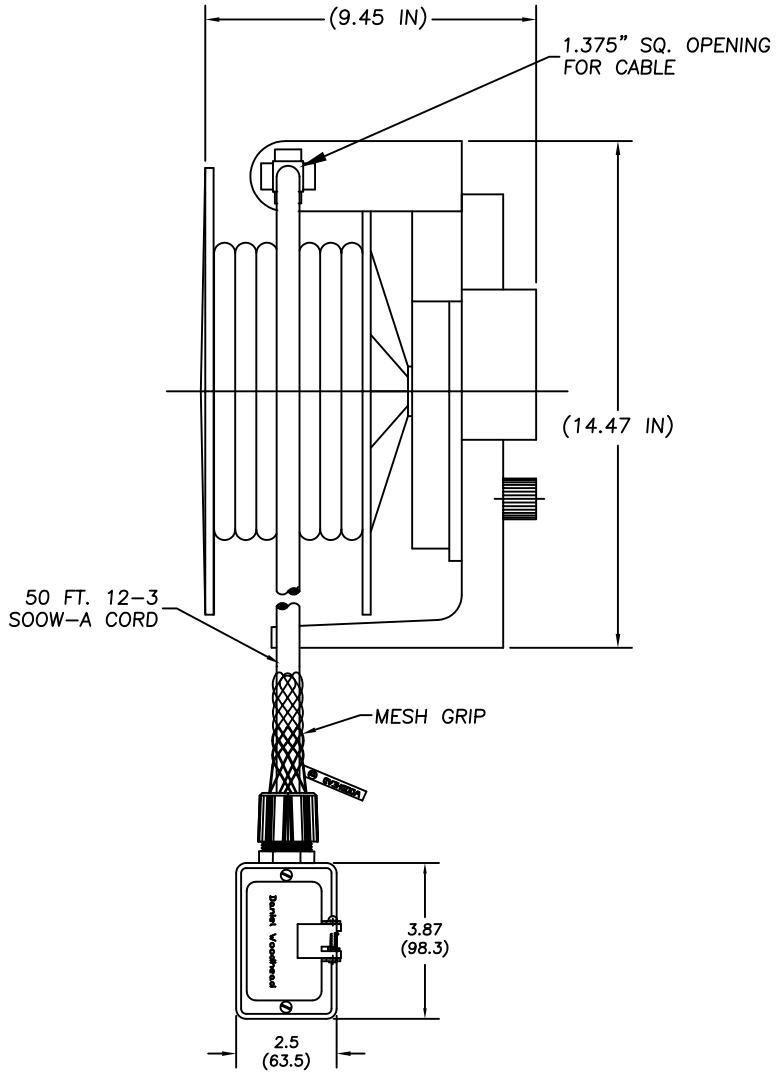
E

D

C

B

A



E

D

C

B

A

|   |                      |  |                                       |   |  |                               |                     |                   |                        |  |
|---|----------------------|--|---------------------------------------|---|--|-------------------------------|---------------------|-------------------|------------------------|--|
| RELEASE DRAWING<br>EC NO: WNA2010-0354<br>DRWN: TVICKERS 2009/12/28<br>CHKD: HK<br>APPR: DTTITUS 2010/04/28 | REV DESCRIPTION<br>A | QUALITY SYMBOLS<br>▽=0<br>▽C=0   | GENERAL TOLERANCES (UNLESS SPECIFIED) |   | DIMENSION STYLE INCH(MM)                               |                               | SCALE NTS           | DESIGN UNITS INCH | THIRD ANGLE PROJECTION |  |
|   |                      | 4 PLACES ±--- ±---<br>3 PLACES ±--- ±.005<br>2 PLACES ±0.13 ±.010<br>1 PLACE ±0.25 ±.020 | mm INCH                               | DRAWN BY DATE<br>---  | TITLE<br>92433 CABLE REEL W/3080-GFI20 BOX & MESH GRIP |                               |                     |                   |                        |  |
|   |                      | ANGULAR ±.5°   |                                       | CHECKED BY DATE<br>HK 2010/01/29  | MOLEX INCORPORATED                                     |                               |                     |                   |                        |  |
|   |                      | DRAFT WHERE APPLICABLE MUST REMAIN WITHIN DIMENSIONS                                     |                                       | APPROVED BY DATE<br>DTTITUS 2010/04/27  | MATERIAL NO.<br>1300830888                             | DOCUMENT NO.<br>SD-130083-017 | SHEET NO.<br>1 OF 1 |                   |                        |  |
|   |                      | SIZE A   |                                       | THIS DRAWING CONTAINS INFORMATION THAT IS PROPRIETARY TO MOLEX INCORPORATED AND SHOULD NOT BE USED WITHOUT WRITTEN PERMISSION |  |                               |                     |                   |                        |  |

6 5 4 3 2 1

# Mouser Electronics

Authorized Distributor

Click to View Pricing, Inventory, Delivery & Lifecycle Information:

[Molex:](#)

[1300830888](#)