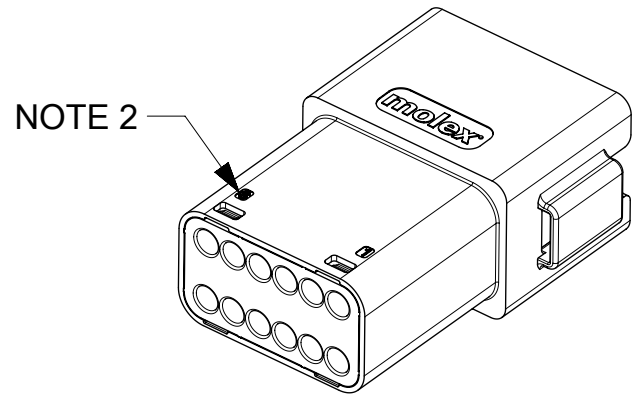


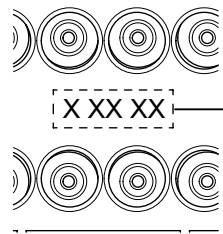
**NOTES**  
 1. SEE SHEETS 2 - 9 FOR UNSPECIFIED NOTES, DIMENSIONS & PART NUMBERS

SYMBOLS		THIS DRAWING CONTAINS INFORMATION THAT IS PROPRIETARY TO MOLEX ELECTRONIC TECHNOLOGIES, LLC AND SHOULD NOT BE USED WITHOUT WRITTEN PERMISSION		CURRENT REV DESC: SEE LONG TEXT		<b>molex</b>	
▽ = 0	DIMENSION UNITS	SCALE					
▽ = 0	mm	1.25:1				PRODUCT CUSTOMER DRAWING	
▽ = 0	GENERAL TOLERANCES (UNLESS SPECIFIED)		EC NO: 603808			DOCUMENT NUMBER	
▽ = 0	ANGULAR TOL ± 2.0°		DRWN: MQUINN 2018/09/03			934430060	
▽ = 0	4 PLACES ±		CHK'D: JFLETCHER 2018/09/05			DOC TYPE DOC PART REVISION	
▽ = 0	3 PLACES ±		APPR: IOCONNELL 2018/09/14			PSD 000 C2	
▽ = 0	2 PLACES ± 0.1		INITIAL REVISION:			MATERIAL NUMBER	
▽ = 0	1 PLACE ± 0.2		DRWN: JFLETCHER 2015/12/16			CUSTOMER	
▽ = 0	0 PLACES ±		APPR: JDWALLACE 2016/01/14			SHEET NUMBER	
■ = 0	DRAFT WHERE APPLICABLE MUST REMAIN WITHIN DIMENSIONS		THIRD ANGLE PROJECTION	DRAWING	SERIES	SE CHART	
▽ = 0				A3-SIZE	93443	GENERAL MARKET 1 OF 9	

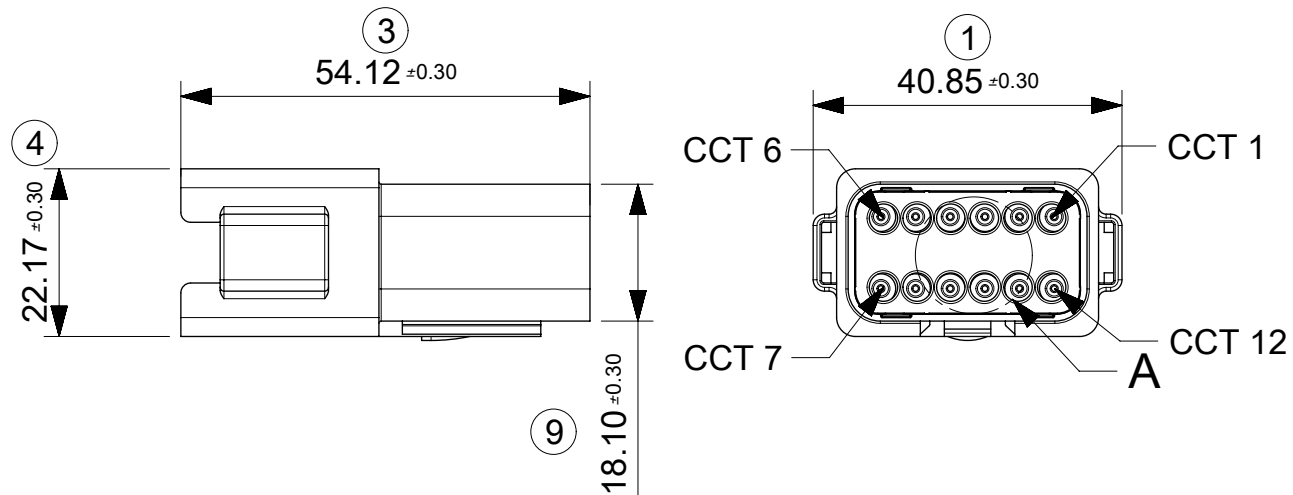
12CCT RECEPTACLE CONNECTOR



DATE CODE: X XX XX  
 X — DAY: 1- 7  
 X — WEEK: 01 - 52  
 X — YEAR: 00 - 99  
 # — MACHINE NO. 1  
 EXAMPLE: 11315 = DAY 1, WEEK 13, YEAR 15  
 i.e. 23rd OF MARCH 2015



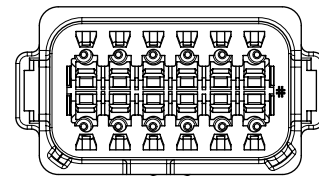
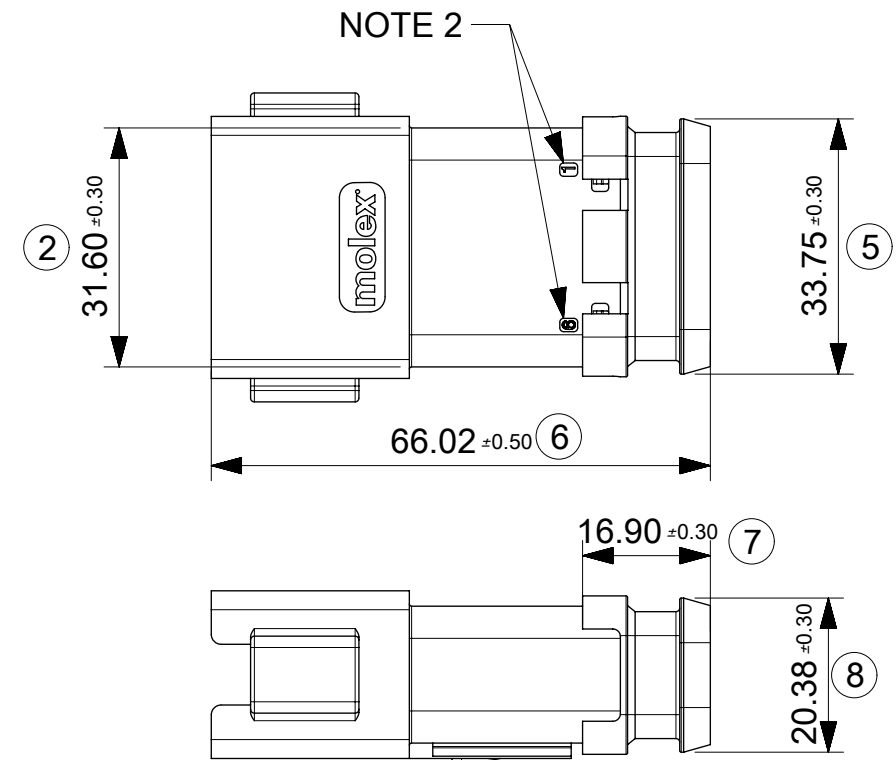
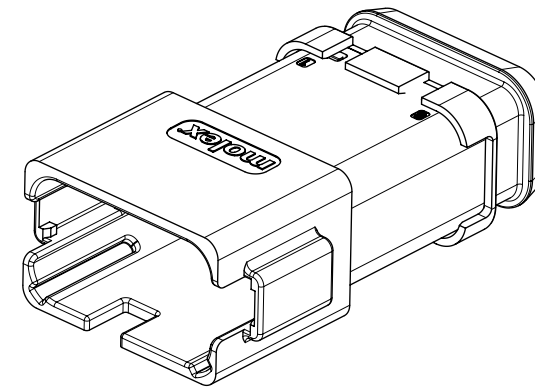
DETAIL A  
 SCALE 2:1



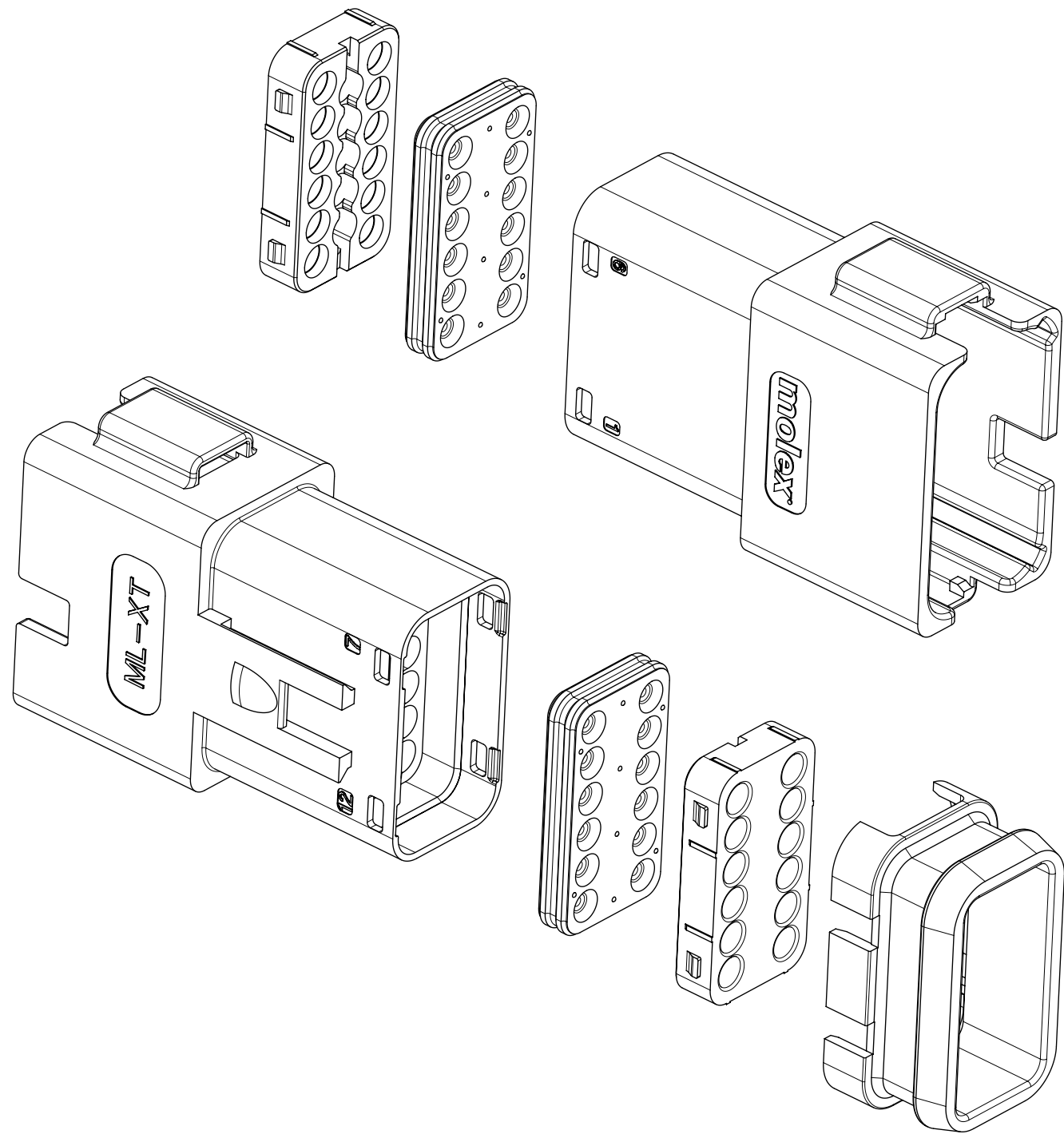
NOTES

- MATERIAL  
 HOUSING: NYLON 30% GF  
 BACK SEAL: HIGH CONSISTENCY RUBBER
- CIRCUIT IDENTIFICATION
- JACKET RANGE LARGE =  $\varnothing$ 2.23MM TO 3.68MM (SEAL COLOUR: LIGHT BLUE)  
 JACKET RANGE SMALL =  $\varnothing$ 1.35MM TO 3.05MM (SEAL COLOUR: BURNT ORANGE)
- SEE SHEET 3 FOR FINAL PART NUMBER DESIGNATION
- SEE 934430010 PS P FOR PRODUCT SPECIFICATION
- SEE 934430002 PS K FOR PACKAGING SPECIFICATION
- INSPECTION NUMBERS 1-50 RESERVED FOR SHEET 2  
 LAST INSPECTION NUMBER: 9

12CCT RECEPTACLE CONNECTOR WITH HEATSHRINK HOUSING ULTRASONICALLY WELDED IN PLACE



SYMBOLS	THIS DRAWING CONTAINS INFORMATION THAT IS PROPRIETARY TO MOLEX ELECTRONIC TECHNOLOGIES, LLC AND SHOULD NOT BE USED WITHOUT WRITTEN PERMISSION		CURRENT REV DESC: SEE LONG TEXT			<b>molex</b>			
	▽ = 0	mm							SCALE
	▽ = 0	GENERAL TOLERANCES (UNLESS SPECIFIED)		EC NO: 603808			12CCT ML-XT CV CONNECTOR SYSTEM		
	▽ = 0	ANGULAR TOL	±	2.0°	DRWN: MQUINN	2018/09/03	PRODUCT CUSTOMER DRAWING		
▽ = 0	4 PLACES	±		CHK'D: JFLETCHER	2018/09/05	DOCUMENT NUMBER			
▽ = 0	3 PLACES	±		APPR: IOCONNELL	2018/09/14	DOC TYPE DOC PART REVISION			
▽ = 0	2 PLACES	±	0.1	INITIAL REVISION:			934430060		
▽ = 0	1 PLACE	±	0.2	DRWN: JFLETCHER	2015/12/16	PSD 000 C2			
▽ = 0	0 PLACES	±		APPR: JDWALLACE	2016/01/14	MATERIAL NUMBER			
■ = 0	DRAFT WHERE APPLICABLE MUST REMAIN WITHIN DIMENSIONS		THIRD ANGLE PROJECTION	DRAWING	SERIES	CUSTOMER		SHEET NUMBER	
▽ = 0				A3-SIZE	93443	GENERAL MARKET		2 OF 9	



12CCT RECEPTACLE CONNECTOR

SERIES NO.

93444

CIRCUIT SIZE  
6 = 12CCT

6

ASSEMBLY OPTIONS

- 1 = RECEPTACLE ASSEMBLY FOR WIRE JACKET RANGE  $\varnothing$ 1.35mm - 3.05mm
- 2 = RECEPTACLE ASSEMBLY FOR WIRE JACKET RANGE  $\varnothing$ 2.23mm - 3.68mm
- 5 = RECEPTACLE ASSEMBLY & HEATSHRINK FOR WIRE JACKET RANGE  $\varnothing$ 1.35mm - 3.05mm
- 6 = RECEPTACLE ASSEMBLY & HEATSHRINK FOR WIRE JACKET RANGE  $\varnothing$ 2.23mm - 3.68mm

KEYING / COLOUR OPTION

- 12 = KEYING OPTION A (GREY)
- 11 = KEYING OPTION A (BLACK)
- 21 = KEYING OPTION B (BLACK)
- 33 = KEYING OPTION C (GREEN)
- 47 = KEYING OPTION D (BROWN)

EXAMPLE:

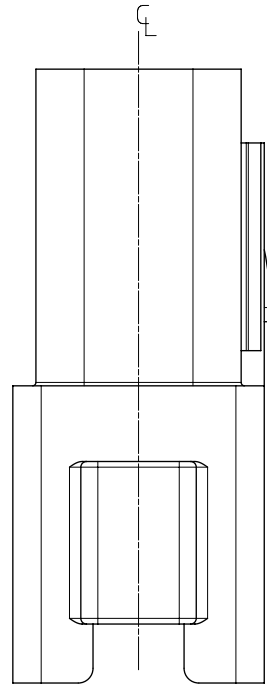
12CCT RECEPTACLE & HEATSHRINK FOR WIRE JACKET RANGE  $\varnothing$ 1.35mm-3.05mm, KEYING OPTION A (GREY): 93444-6512

NOTES

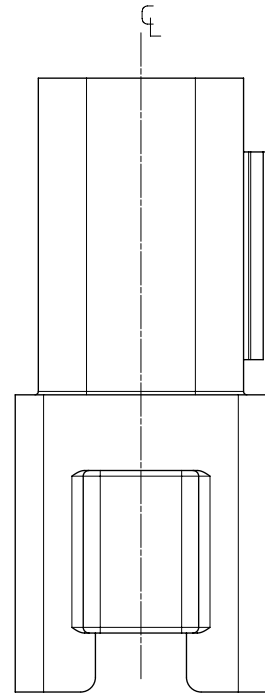
1. SEE SHEET 2 FOR UNSPECIFIED NOTES AND DIMENSIONS
2. BACK COVER COLOUR: BLACK
3. HEATSHRINK HOUSING COLOUR: BLACK

SYMBOLS		THIS DRAWING CONTAINS INFORMATION THAT IS PROPRIETARY TO MOLEX ELECTRONIC TECHNOLOGIES, LLC AND SHOULD NOT BE USED WITHOUT WRITTEN PERMISSION	
DIMENSION UNITS	SCALE	CURRENT REV DESC: SEE LONG TEXT	
$\nabla = 0$	mm	1.5:1	<b>molex</b>
$\nabla = 0$	GENERAL TOLERANCES (UNLESS SPECIFIED)		
$\nabla = 0$	ANGULAR TOL $\pm 2.0^\circ$		12CCT ML-XT CV CONNECTOR SYSTEM
$\nabla = 0$	4 PLACES	$\pm$	PRODUCT CUSTOMER DRAWING
$\nabla = 0$	3 PLACES	$\pm$	DOCUMENT NUMBER
$\nabla = 0$	2 PLACES	$\pm 0.1$	934430060
$\nabla = 0$	1 PLACE	$\pm 0.2$	DOC TYPE
$\nabla = 0$	0 PLACES	$\pm$	PSD
$\nabla = 0$	DRAFT WHERE APPLICABLE MUST REMAIN WITHIN DIMENSIONS		DOC PART
$\nabla = 0$	THIRD ANGLE PROJECTION		000
$\nabla = 0$	DRAWING		C2
$\nabla = 0$	SERIES		REVISION
$\nabla = 0$	MATERIAL NUMBER		
$\nabla = 0$	CUSTOMER		
$\nabla = 0$	SHEET NUMBER		
$\nabla = 0$	A3-SIZE	93443	3 OF 9
$\nabla = 0$	SE CHART	GENERAL MARKET	

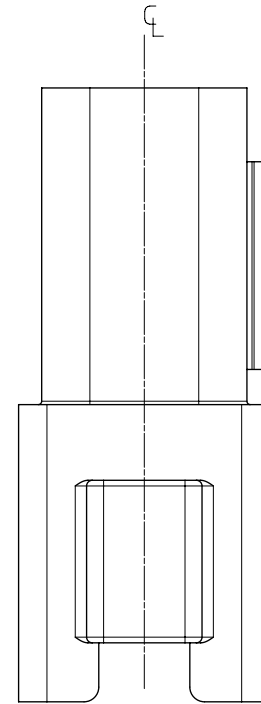
KEYING OPTION A



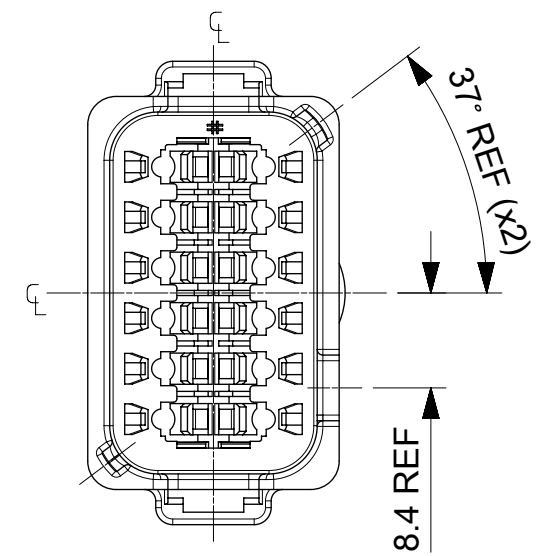
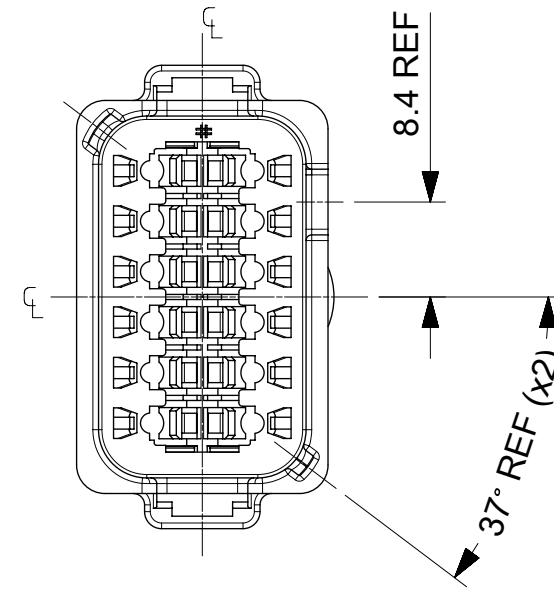
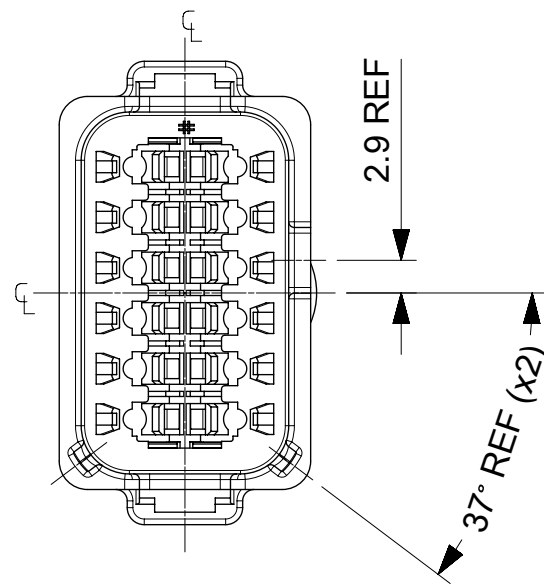
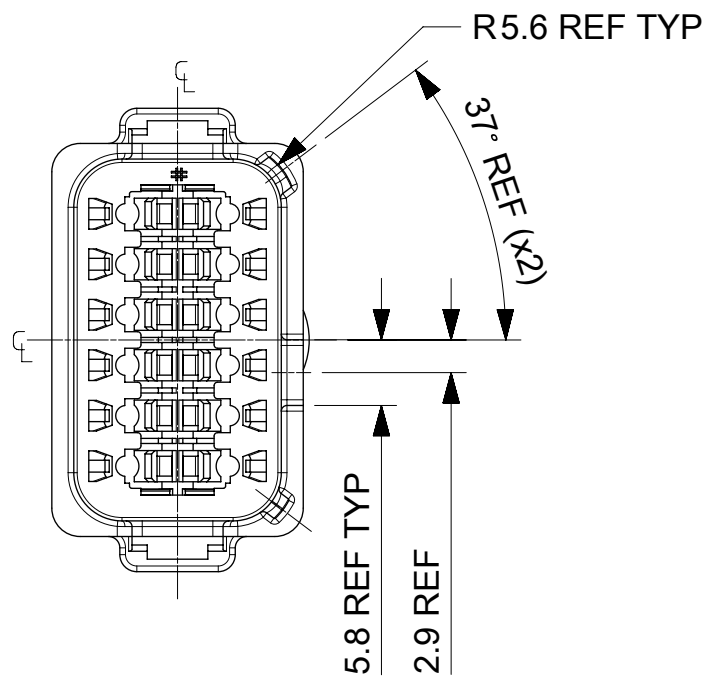
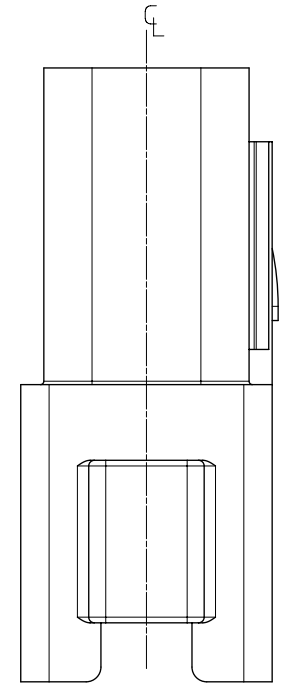
KEYING OPTION B



KEYING OPTION C



KEYING OPTION D



NOTES  
1. SEE SHEETS 2 & 3 FOR UNSPECIFIED NOTES AND DIMENSIONS

SYMBOLS	THIS DRAWING CONTAINS INFORMATION THAT IS PROPRIETARY TO MOLEX ELECTRONIC TECHNOLOGIES, LLC AND SHOULD NOT BE USED WITHOUT WRITTEN PERMISSION		CURRENT REV DESC: SEE LONG TEXT		<b>molex</b>
	DIMENSION UNITS	SCALE			
▽ = 0	mm	1.5:1			12CCT ML-XT CV CONNECTOR SYSTEM
▽ = 0	GENERAL TOLERANCES (UNLESS SPECIFIED)				PRODUCT CUSTOMER DRAWING
▽ = 0	ANGULAR TOL ± 2.0°				DOCUMENT NUMBER
▽ = 0	4 PLACES ±		EC NO: 603808	2018/09/03	DOC TYPE
▽ = 0	3 PLACES ±		DRWN: MQUINN	2018/09/05	DOC PART
▽ = 0	2 PLACES ± 0.1		CHK'D: JFLETCHER	2018/09/05	REVISION
▽ = 0	1 PLACE ± 0.2		APPR: IOCONNELL	2018/09/14	
▽ = 0	0 PLACES ±		INITIAL REVISION:		
▽ = 0	DRAFT WHERE APPLICABLE MUST REMAIN WITHIN DIMENSIONS		DRWN: JFLETCHER	2015/12/16	934430060
▽ = 0			APPR: JDWALLACE	2016/01/14	PSD 000 C2
		THIRD ANGLE PROJECTION	DRAWING	SERIES	MATERIAL NUMBER
			A3-SIZE	93443	CUSTOMER
					SE CHART
					GENERAL MARKET
					SHEET NUMBER
					4 OF 9

10

9

8

7

6

5

4

3

2

1

F

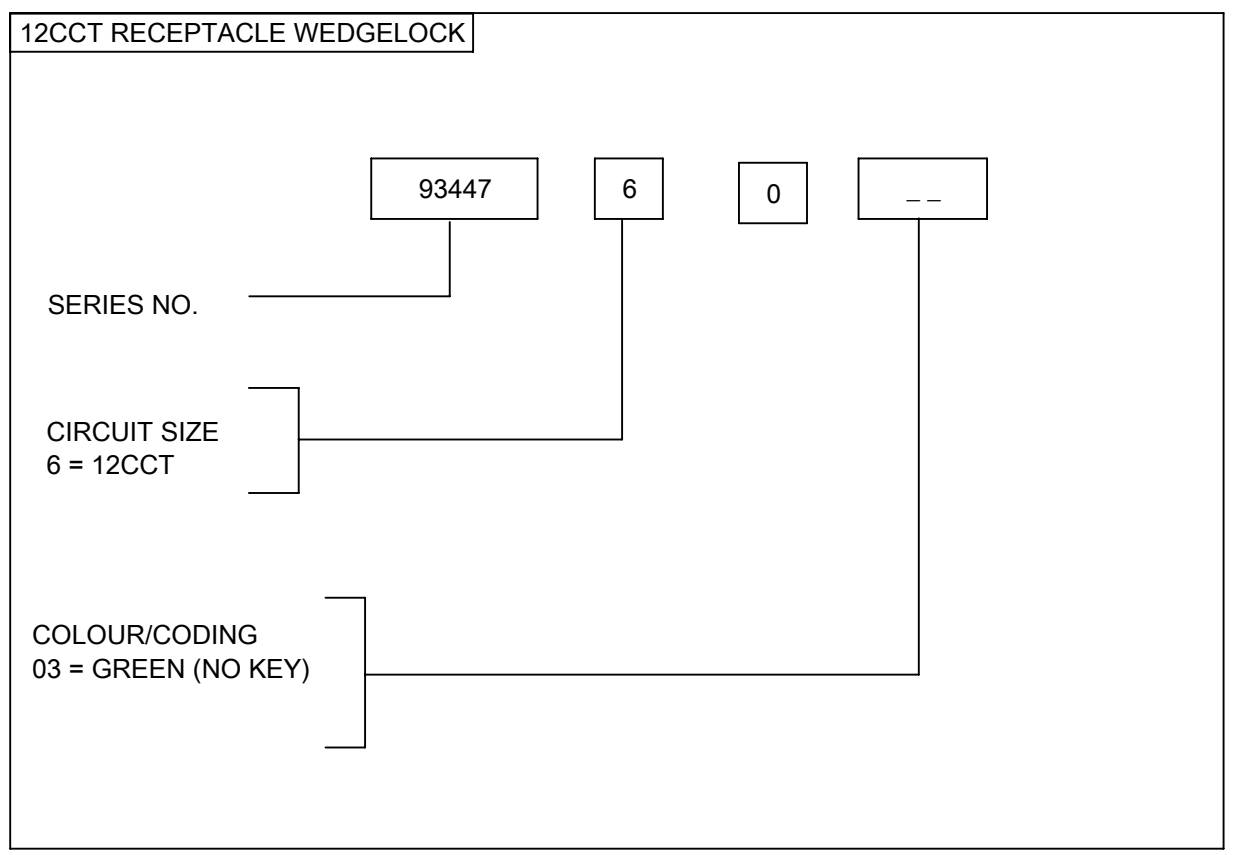
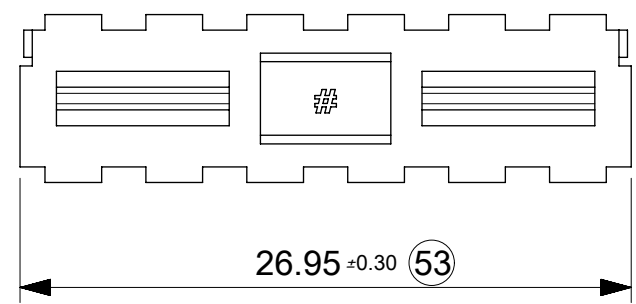
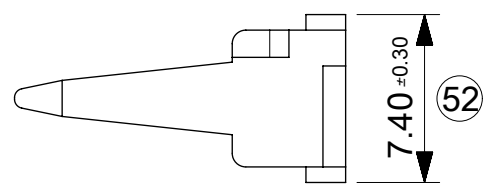
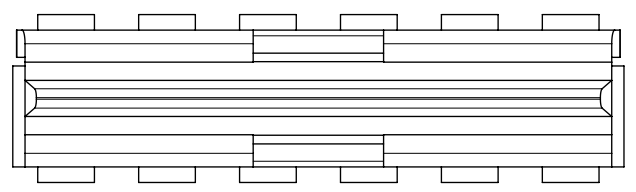
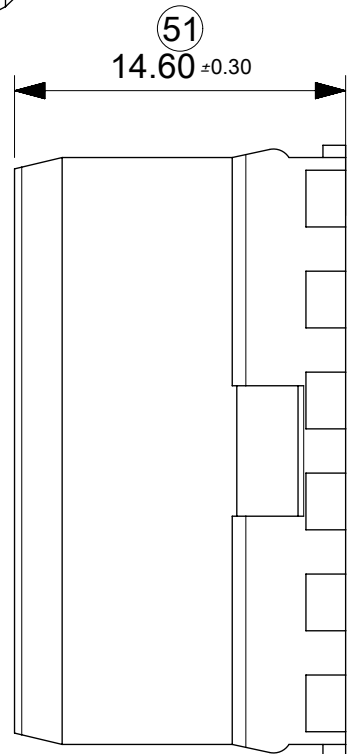
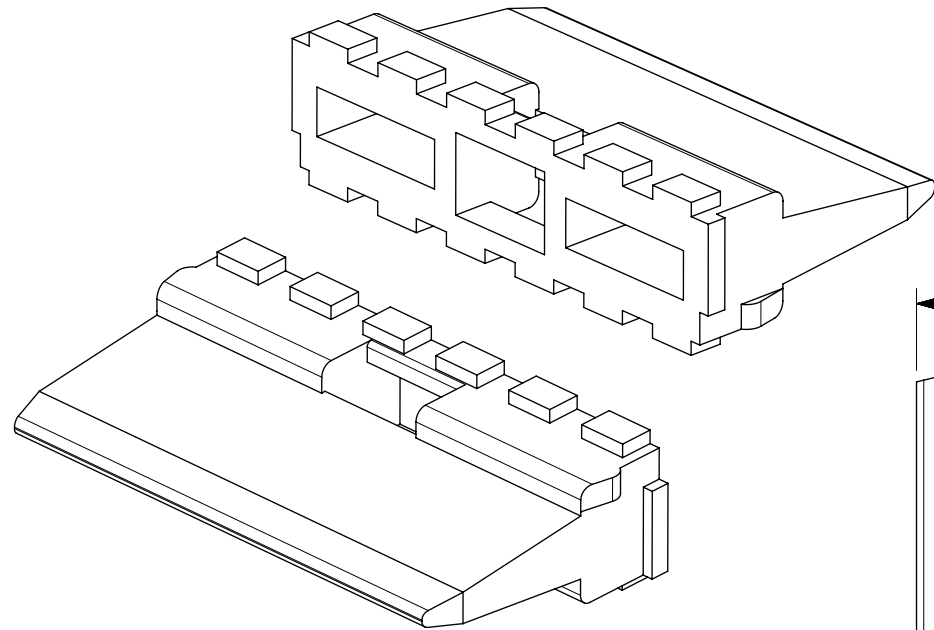
E

D

C

B

A



**NOTES**

- 1. MATERIAL  
HOUSING: NYLON 30% GLASS FILLED
- 2. INSPECTION NUMBERS 51-100  
RESERVED FOR SHEET 5  
LAST INSPECTION NUMBER 53

SYMBOLS		THIS DRAWING CONTAINS INFORMATION THAT IS PROPRIETARY TO MOLEX ELECTRONIC TECHNOLOGIES, LLC AND SHOULD NOT BE USED WITHOUT WRITTEN PERMISSION		CURRENT REV DESC: SEE LONG TEXT		<b>molex</b>	
▽ = 0	mm	SCALE	3:1	GENERAL TOLERANCES (UNLESS SPECIFIED)			
▽ = 0		ANGULAR TOL ± 2.0°		EC NO: 603808		PRODUCT CUSTOMER DRAWING	
▽ = 0	4 PLACES ±	DRWN: MQINN 2018/09/03		DRWN: JFLETCHER 2018/09/05		DOCUMENT NUMBER	
▽ = 0	3 PLACES ±	APP: IOCONNELL 2018/09/14		APP: JDWALLACE 2016/01/14		DOC TYPE DOC PART REVISION	
▽ = 0	2 PLACES ± 0.1	INITIAL REVISION:		934430060		PSD 000 C2	
▽ = 0	1 PLACE ± 0.2	DRWN: JFLETCHER 2015/12/16		APP: JDWALLACE 2016/01/14		MATERIAL NUMBER	
▽ = 0	0 PLACES ±	DRAFT WHERE APPLICABLE MUST REMAIN WITHIN DIMENSIONS		THIRD ANGLE PROJECTION		CUSTOMER	
▽ = 0		DRAWING		SERIES		SHEET NUMBER	
		A3-SIZE		93443		5 OF 9	
		SE CHART		GENERAL MARKET			

10

9

8

7

6

5

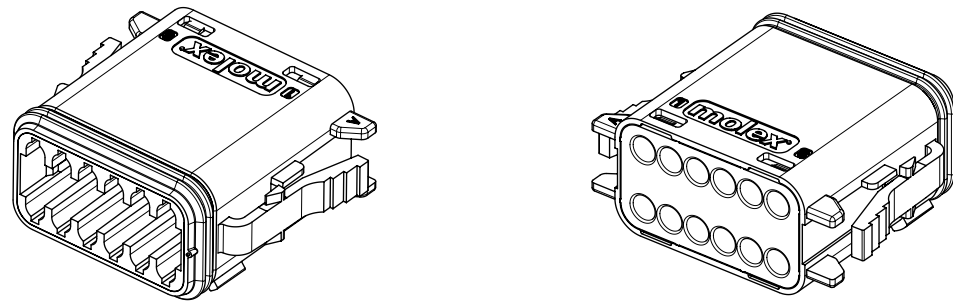
4

3

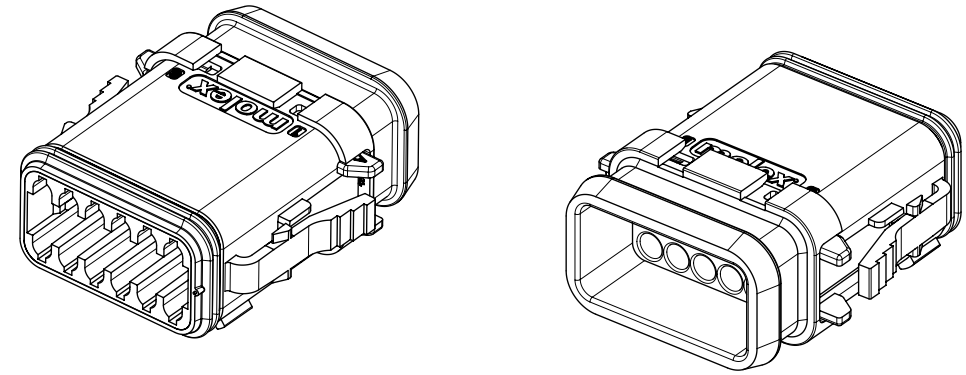
2

1

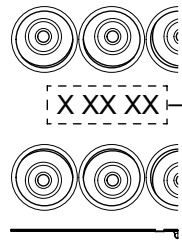
12CCT PLUG CONNECTOR



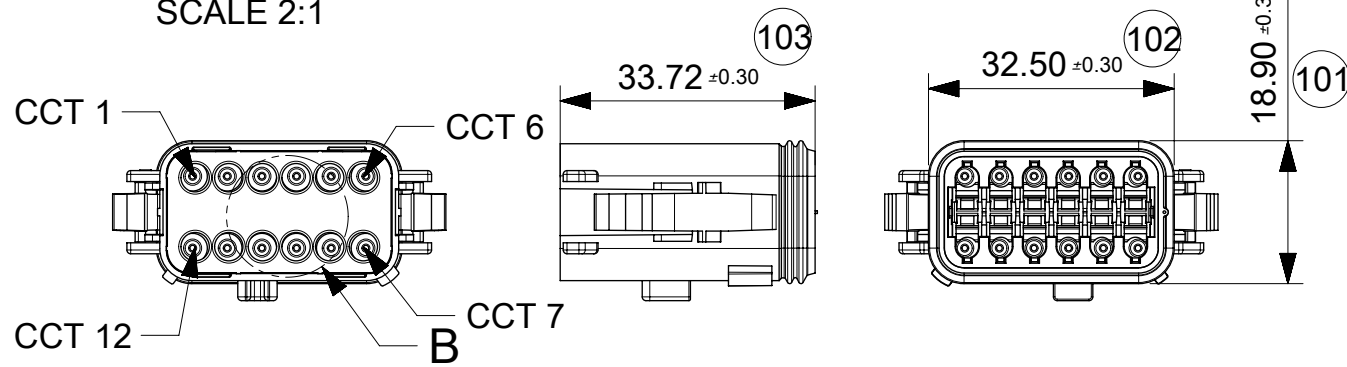
12CCT PLUG CONNECTOR WITH HEATSHRINK HOUSING ULTRASONICALLY WELDED IN PLACE



DATE CODE: X XX XX  
 X — DAY: 1-7  
 X — WEEK: 01 - 52  
 X — YEAR: 00 - 99  
 # — MACHINE NO. 1  
 EXAMPLE: 11315 = DAY 1, WEEK 13, YEAR 15  
 i.e. 23rd OF MARCH 2015



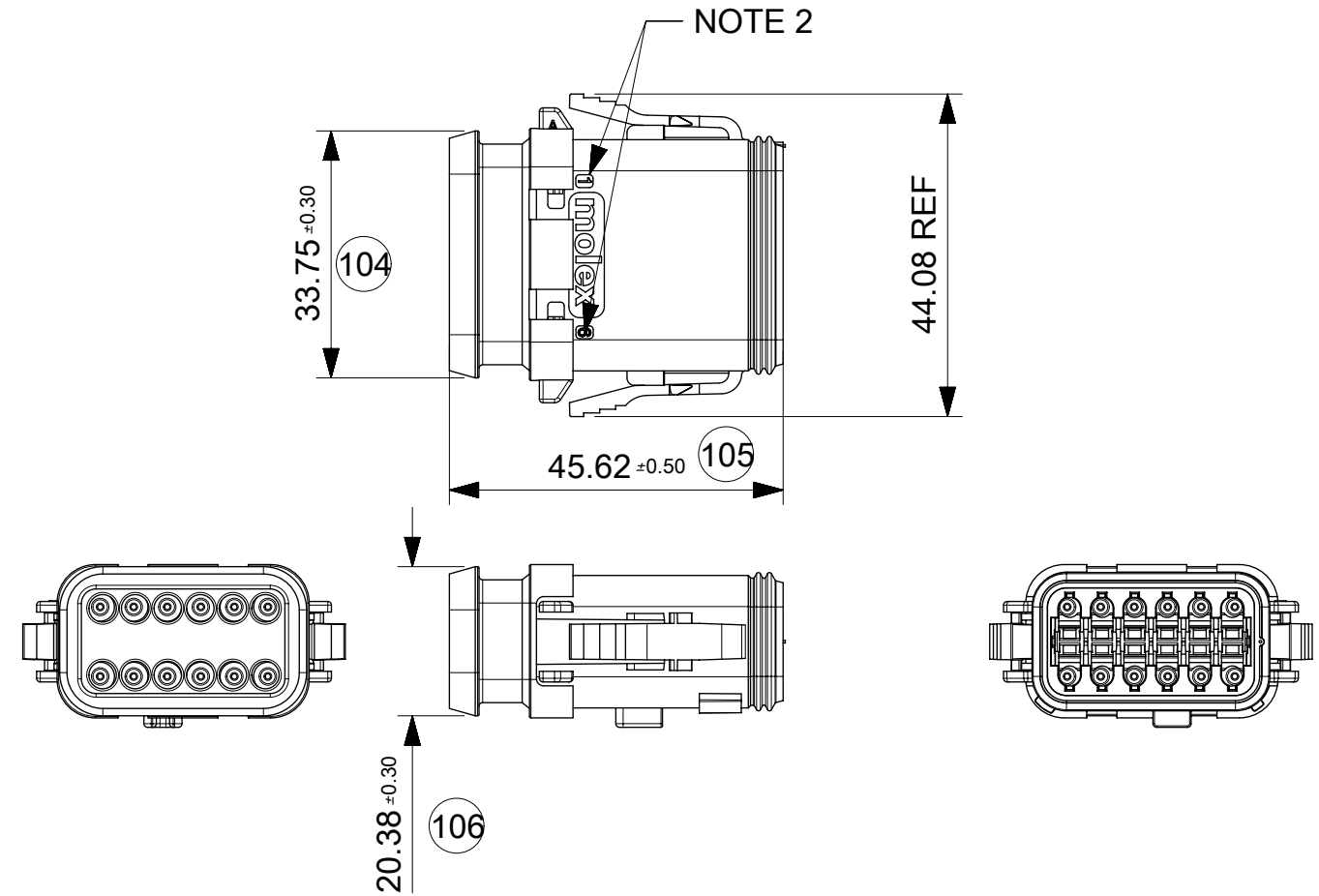
DETAIL B  
 SCALE 2:1



NOTES

- MATERIAL  
 HOUSING: NYLON 30% GLASS FILL  
 PLUG SEAL: SILICONE  
 BACK SEAL: HIGH CONSISTENCY RUBBER
  - CIRCUIT IDENTIFICATION
  - JACKET RANGE LARGE =  $\varnothing$ 2.23mm TO 3.68mm (SEAL COLOUR: LIGHT BLUE)  
 JACKET RANGE SMALL =  $\varnothing$ 1.35mm TO 3.05mm (SEAL COLOUR: BURNT ORANGE)
  - SEE SHEET 7 FOR FINAL PART NUMBER DESIGNATION
  - SEE 934430010 PSP FOR PRODUCT SPECIFICATION
  - SEE 934430002 PS K FOR PACKAGING SPECIFICATION
- INSPECTION NUMBERS 101-150 RESERVED FOR SHEET 6  
 LAST INSPECTION NUMBER 106

NOTE 2



SYMBOLS	THIS DRAWING CONTAINS INFORMATION THAT IS PROPRIETARY TO MOLEX ELECTRONIC TECHNOLOGIES, LLC AND SHOULD NOT BE USED WITHOUT WRITTEN PERMISSION		CURRENT REV DESC: SEE LONG TEXT			<b>molex</b>		
	▽ = 0	mm	SCALE	1:1				
▽ = 0	GENERAL TOLERANCES (UNLESS SPECIFIED)		EC NO: 603808			PRODUCT CUSTOMER DRAWING		
▽ = 0	ANGULAR TOL ± 2.0°		DRWN: MQUINN 2018/09/03			DOCUMENT NUMBER		
▽ = 0	4 PLACES ±		CHK'D: JFLETCHER 2018/09/05			934430060		
▽ = 0	3 PLACES ±		APPR: IOCONNELL 2018/09/14			DOC TYPE DOC PART REVISION		
▽ = 0	2 PLACES ± 0.1		INITIAL REVISION:			PSD 000 C2		
▽ = 0	1 PLACE ± 0.2		DRWN: JFLETCHER 2015/12/16			MATERIAL NUMBER		
▽ = 0	0 PLACES ±		APPR: JDWALLACE 2016/01/14			CUSTOMER		
■ = 0	DRAFT WHERE APPLICABLE MUST REMAIN WITHIN DIMENSIONS		THIRD ANGLE PROJECTION		DRAWING	SERIES	SHEET NUMBER	
▽ = 0			A3-SIZE		93443	SE CHART		GENERAL MARKET 6 OF 9



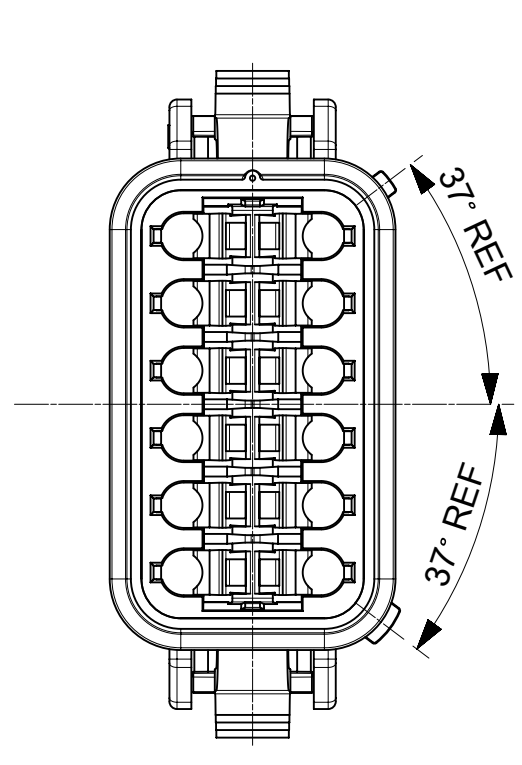
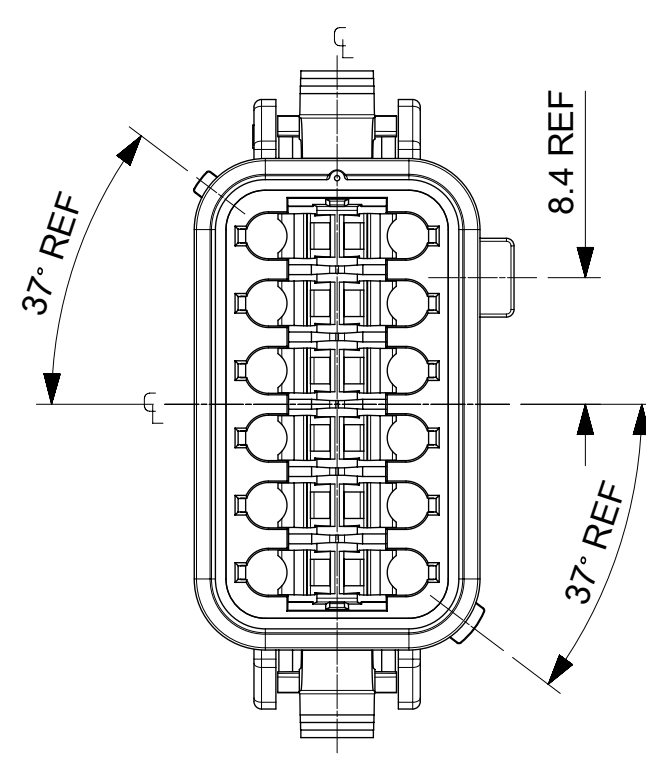
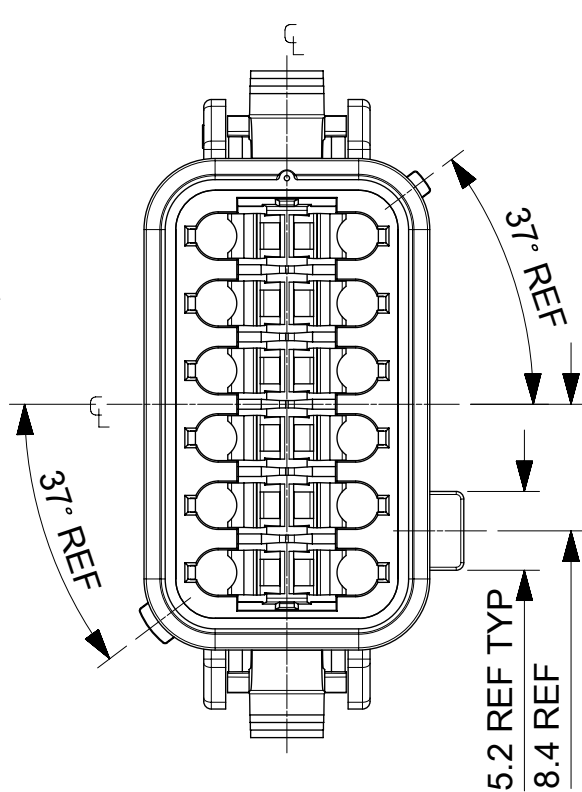
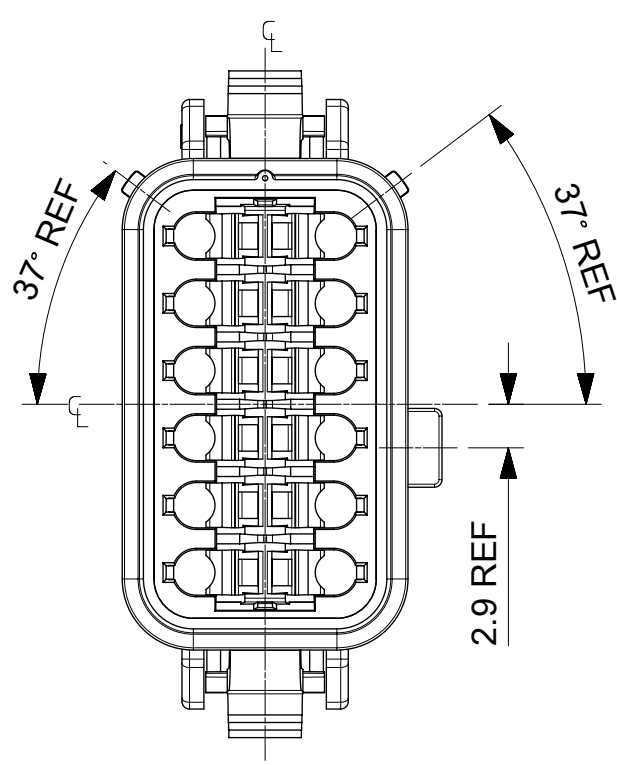
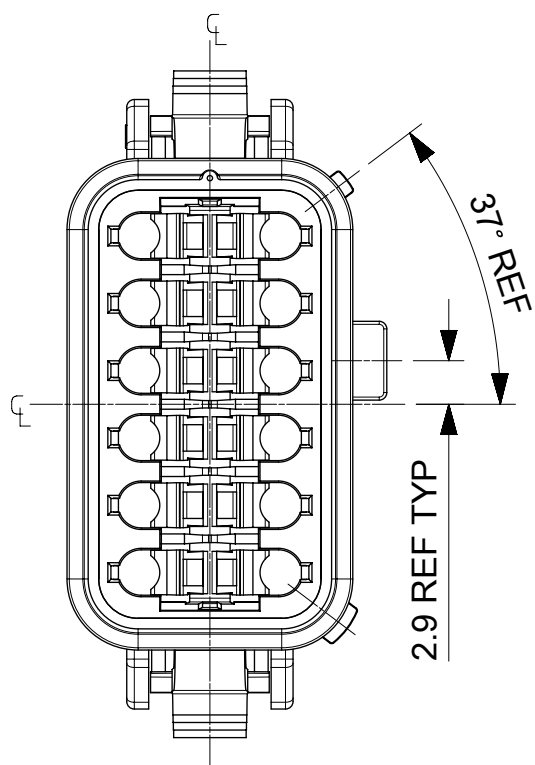
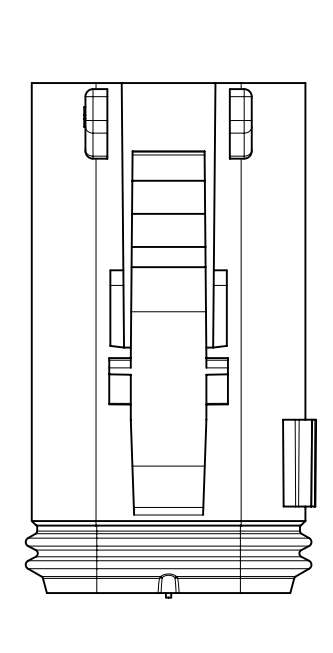
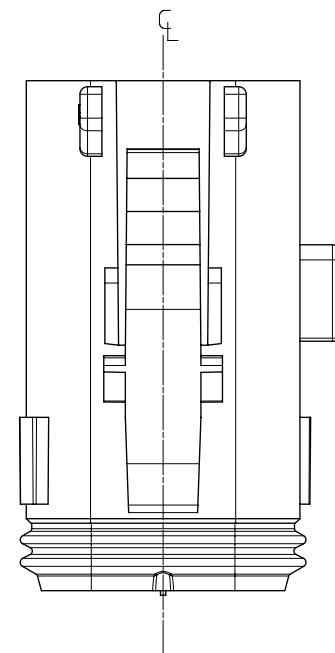
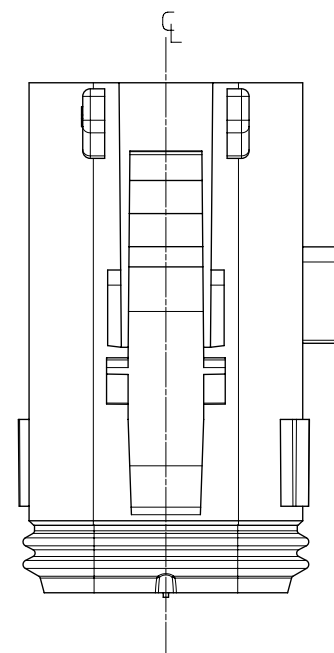
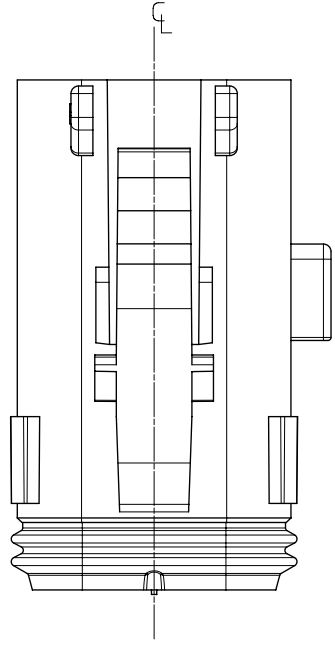
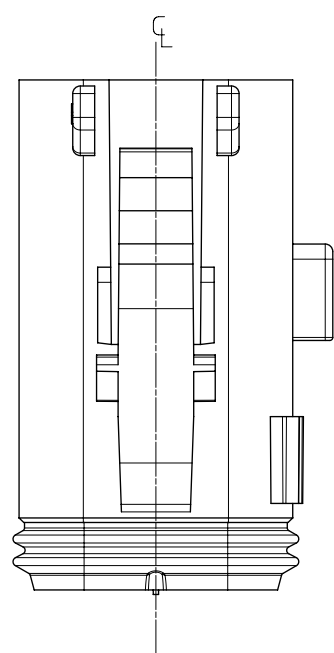
KEYING OPTION A

KEYING OPTION B

KEYING OPTION C

KEYING OPTION D

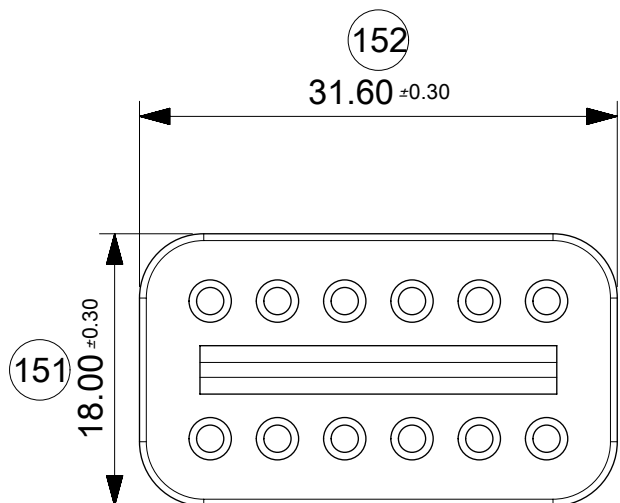
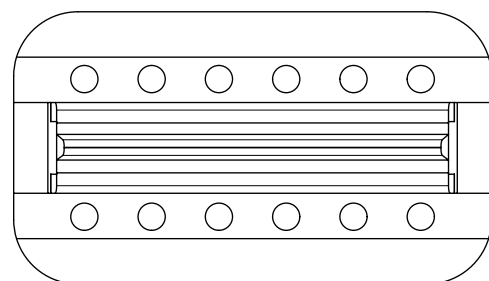
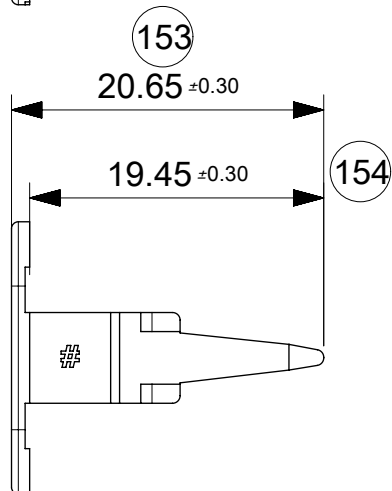
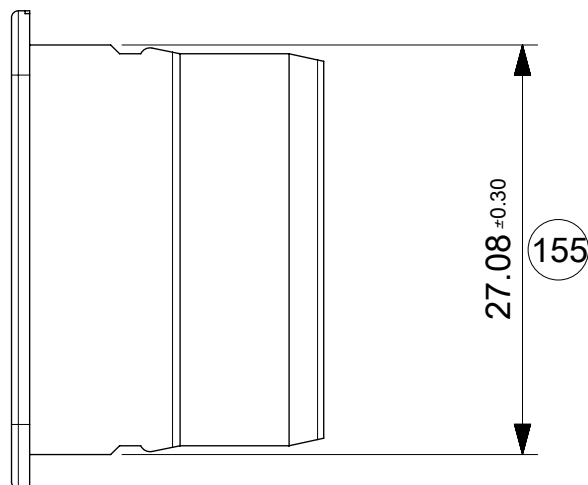
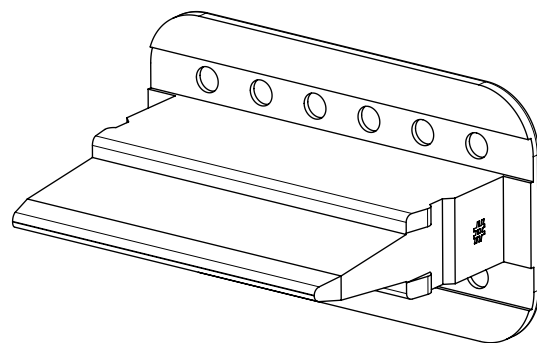
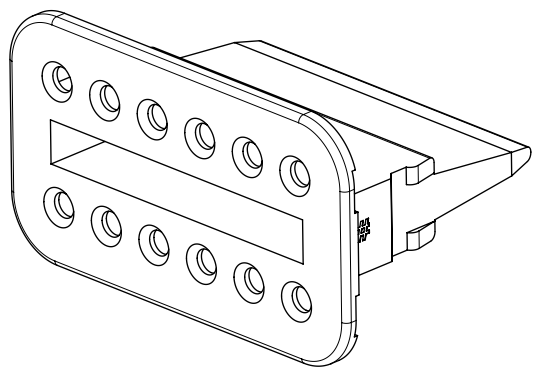
KEYING OPTION E



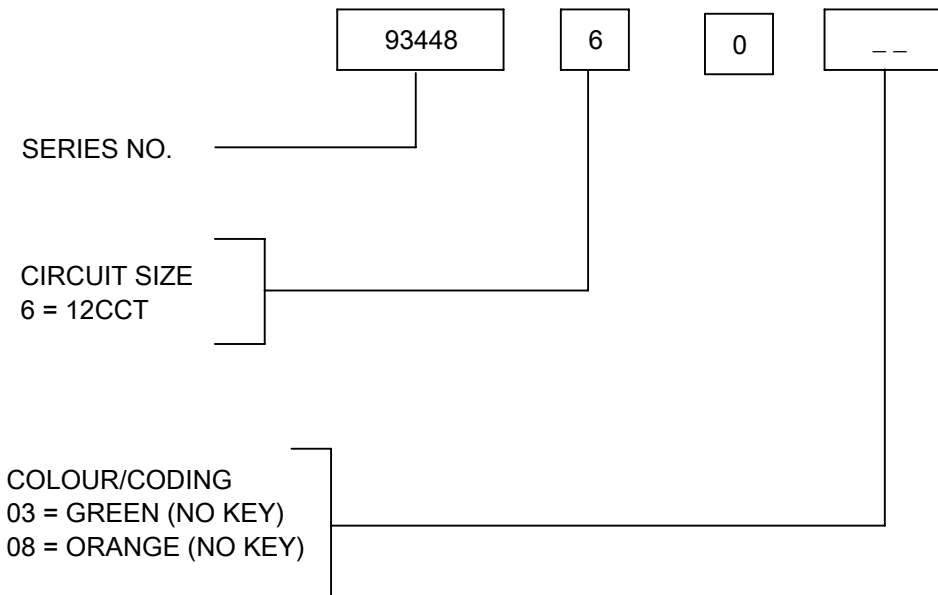
NOTES  
1. SEE SHEETS 6 & 7 FOR UNSPECIFIED NOTES AND DIMENSIONS

SYMBOLS	THIS DRAWING CONTAINS INFORMATION THAT IS PROPRIETARY TO MOLEX ELECTRONIC TECHNOLOGIES, LLC AND SHOULD NOT BE USED WITHOUT WRITTEN PERMISSION		CURRENT REV DESC: SEE LONG TEXT				
	DIMENSION UNITS	SCALE					
▽ = 0	mm	2:1	EC NO: 603808		12CCT ML-XT CV CONNECTOR SYSTEM		
▽ = 0	GENERAL TOLERANCES (UNLESS SPECIFIED)		DRWN: MQUINN 2018/09/03		PRODUCT CUSTOMER DRAWING		
▽ = 0	ANGULAR TOL ± 2.0°		CHK'D: JFLETCHER 2018/09/05		DOCUMENT NUMBER		
▽ = 0	4 PLACES ±		APPR: IOCONNELL 2018/09/14		DOC TYPE DOC PART REVISION		
▽ = 0	3 PLACES ±		INITIAL REVISION:		934430060		
▽ = 0	2 PLACES ± 0.1		DRWN: JFLETCHER 2015/12/16		PSD 000 C2		
▽ = 0	1 PLACE ± 0.2		APPR: JDWALLACE 2016/01/14		MATERIAL NUMBER CUSTOMER		
▽ = 0	0 PLACES ±		THIRD ANGLE PROJECTION		SE CHART GENERAL MARKET		
□ = 0	DRAFT WHERE APPLICABLE MUST REMAIN WITHIN DIMENSIONS		DRAWING		SHEET NUMBER		
▽ = 0			A3-SIZE		8 OF 9		





12CCT PLUG WEDGELOCK



**NOTES**  
 1. MATERIAL  
 HOUSING: NYLON 30% GLASS FILL  
 2. INSPECTION NUMBERS 151-200 RESERVED FOR SHEET 9  
 LAST INSPECTION NUMBER 155

SYMBOLS	THIS DRAWING CONTAINS INFORMATION THAT IS PROPRIETARY TO MOLEX ELECTRONIC TECHNOLOGIES, LLC AND SHOULD NOT BE USED WITHOUT WRITTEN PERMISSION		CURRENT REV DESC: SEE LONG TEXT			<b>molex</b>		
	DIMENSION UNITS	SCALE						
▽ = 0	mm	2:1	EC NO: 603808			DOCUMENT NUMBER		
▽ = 0	GENERAL TOLERANCES (UNLESS SPECIFIED)		DRWN: MQUINN 2018/09/03			DOC TYPE		
▽ = 0	ANGULAR TOL ± 2.0°		CHK'D: JFLETCHER 2018/09/05			DOC PART		
▽ = 0	4 PLACES ±		APPR: IOCONNELL 2018/09/14			REVISION		
▽ = 0	3 PLACES ±		INITIAL REVISION:			934430060		
▽ = 0	2 PLACES ± 0.1		DRWN: JFLETCHER 2015/12/16			PSD		
▽ = 0	1 PLACE ± 0.2		APPR: JDWALLACE 2016/01/14			000		
▽ = 0	0 PLACES ±		DRAFT WHERE APPLICABLE MUST REMAIN WITHIN DIMENSIONS			C2		
▽ = 0	THIRD ANGLE PROJECTION		DRAWING	SERIES	MATERIAL NUMBER	CUSTOMER	SHEET NUMBER	
▽ = 0	A3-SIZE		93443	SE CHART	GENERAL MARKET	9 OF 9		