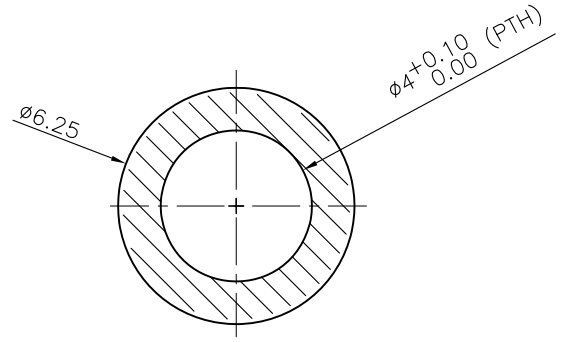
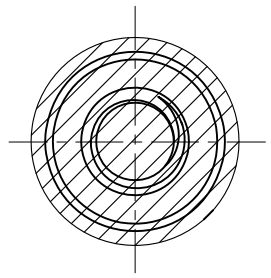
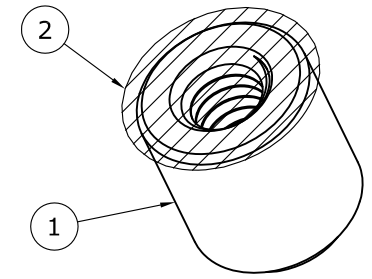
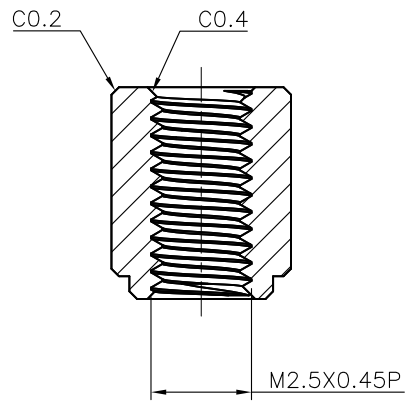
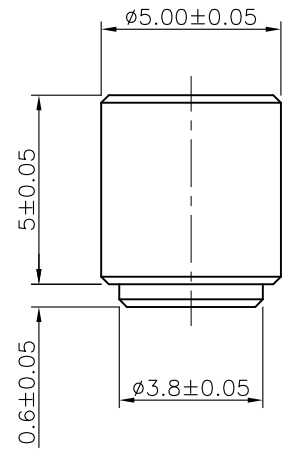


| REV. | DESCRIPTION | DRAWN | DATE |
|------|-----------------|-------|------------|
| 1 | INITIAL RELEASE | FROS | 2016/07/25 |
| 2 | ECR240301001 | FROS | 2024/03/01 |



Recommended Layout (top view)
General Tolerance: $\pm 0.05\text{mm}$



| | | | | |
|--------------------------------------|---------|-----------------------------|---------------|--|
| 2 | MYLAR | 0.1t | | |
| 1 | NUT | Low Lead Brass, Tin Plating | | |
| NO. PART NAME | | DESCRIPTION | | |
| UNLESS OTHERWISE SPECIFIED TOLERANCE | | | | |
| UNIT: | DECIMAL | LINEAR | ANGLES | |
| mm | X. | ± 0.50 | $\pm 5^\circ$ | |
| | X.X | ± 0.25 | $\pm 3^\circ$ | |
| | X.XX | ± 0.12 | $\pm 1^\circ$ | |
| DRAWN | | Fros | 2016/07/25 | DRAWN NAME: Nut, M2.5x0.45P, 5H, Reel |
| CHECKED | | Tim | 2016/07/25 | |
| APPROVED | | Ken | 2016/07/25 | PRODUCT NO. 125-NUT-78 |
| SCALE | | SHEET | SIZE | FILE NAME |
| 5/1 | | 1/1 | A4 | 125-NUT-78_B_2 |



WWW.ATTEND.COM.TW