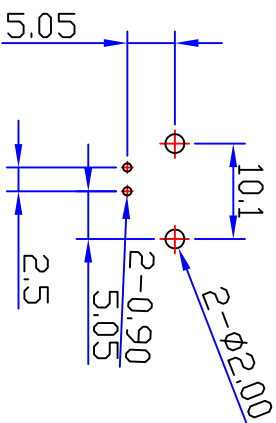
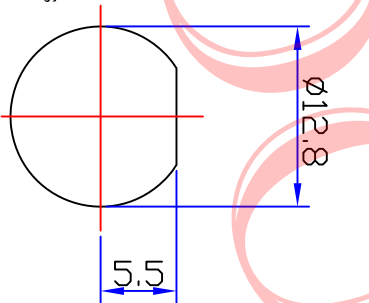
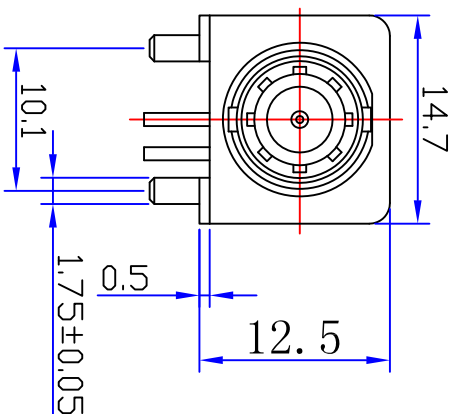
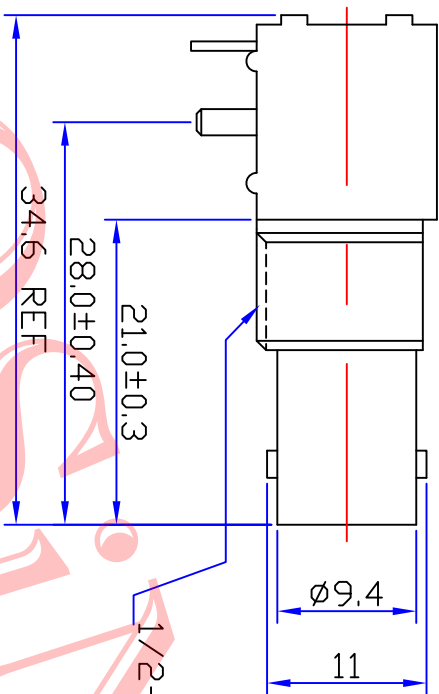
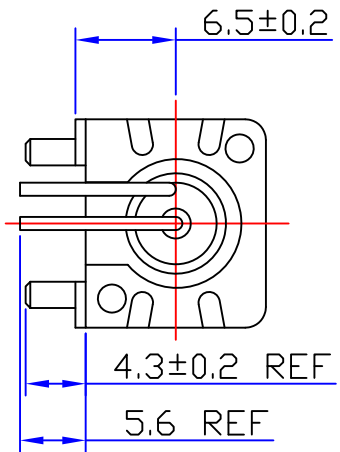




Product NO.		DOSIN-801-0044		
REV	DESCRIPTION	DWN	DATE	APPROVEN
A	First Issue	JIM	2012/11/02	John kine



### Specifications

Impedance: 50 Ohms  
 Frequency Range: DC~3G  
 VSWR: 1.3MAX  
 Working Voltage: 500V rms @ sea level  
 Insulation Resistance: 5000 Ohms min  
 Temperature Range: -55°C T0 +155°C  
 Relative Temperature: ≤95% (40°C ±2° C)  
 Drawings products are in line with ROHS standards

1	Body	Zinc	NI: 80-120u"
2	Center contact	Brass	AU: 1u"
3	Lead	Iron	AU: 1u"
4	Fixed footrest	Iron	NI: 80-120u"
5	Insulator	POM	White
6	Fixed mount	PBT	BLACK
7	Washer	Brass	NI: 80-120u"
8	Hex nut	Brass	NI: 80-120u"
9			
10			
NO	Component Number	Material	Finish

NOTE:

Tolerance

0-6	±0.20
6-30	±0.30
30-120	±0.5
Angul ar	±2°

View



UNIT

MM

Name: BNC BLACK JACK CONNECTOR (12.5MM)

SIZE A Product NO.

DOSIN-801-0044

Date/Time 2012/11/02

CAD FILE D:/company drawings/BD

SHEET: 1 OF 1

**Dosin Industrial(H.K)Co.Ltd**  
 东莞市德奈五金电子有限公司  
 Dosin Hardware Electronics Co., Ltd  
 E-mail: dosin2005@163.com  
 dosin2005@dosin-china.com  
 Web: http://www.dosin.com.cn  
 TEL: (0086) 769-81153906  
 FAX: (0086) 769-81873836

A B C D E F G