

HC-B 16-A-DT-PEL-M - Terminal adapter



1648445

<https://www.phoenixcontact.com/us/products/1648445>

Please be informed that the data shown in this PDF document is generated from our online catalog. Please find the complete data in the user documentation. Our general terms of use for downloads are valid.

HEAVYCON terminal adapter, pin insert, B16 series, 16-pos., for the left side of the control cabinet, push-in connection



Your advantages

- Easy installation without tools, even when mounted, with push-in connection technology
- Shortest installation time compared to other connection technologies
- Quick and effortless wiring, in particular when space is tight
- Automatic cabling with robots possible
- Safe wiring and operation with color-coded actuators
- Shock and vibration-resistant in accordance with DIN EN 61373

Commercial data

Item number	1648445
Packing unit	5 pc
Minimum order quantity	5 pc
Sales key	BF61
Product key	BF7ADC
Catalog page	Page 549 (C-2-2019)
GTIN	4046356092166
Weight per piece (including packing)	133.2 g
Weight per piece (excluding packing)	133 g
Customs tariff number	85366990
Country of origin	CN

HC-B 16-A-DT-PEL-M - Terminal adapter



1648445

<https://www.phoenixcontact.com/us/products/1648445>

Technical data

Notes

General	For HEAVYCON-ADVANCE mounting flange and HEAVYCON panel mounting base of B16 type
General	Connectors may be operated only when there is no load/voltage.

Product properties

Product type	Terminal adapter
Product family	HC-B
Series	HC-B
Type	B16
Number of positions	16
Connection profile	16+PE
Contact numbering	1 - 16
Type	for the left side of the control cabinet

Insulation characteristics

Overvoltage category	III
Degree of pollution	3

Electrical properties

Rated voltage (III/3)	500 V
Rated surge voltage	6 kV
Rated current	16 A
SCCR	5 kA (UL 2237)

Connection data

Connection technology

Connection technology	Push-in connection
-----------------------	--------------------

Conductor connection

Conductor cross section	0.5 mm ² ... 2.5 mm ²
Connection cross section AWG	22 ... 12
Stripping length of the individual wire	10 mm (13 mm with ferrule)

Dimensions

HC-B 16-A-DT-PEL-M - Terminal adapter



1648445

<https://www.phoenixcontact.com/us/products/1648445>

Dimensional drawing	
Width	34 mm
Height	70.5 mm
Length	84 mm
Drill hole distance, horizontal	77.5 mm
Drill hole distance, vertical	27 mm

Material specifications

Flammability rating according to UL 94	V0
Contact material	Copper alloy
Contact surface material	Ag
Contact carrier material	PA
Standards/regulations	PA: Fire protection in rail vehicles - requirement sets R22, R23, and R24 acc. to DIN EN 45545-2 (Risk level HL1 - HL3)

Cable/line

Stripping length of the individual wire	10 mm (13 mm with ferrule)
---	----------------------------

Mechanical properties

Mechanical data

Insertion/withdrawal cycles	≥ 500
-----------------------------	-------

Environmental and real-life conditions

Ambient conditions

Degree of protection	IP20
Ambient temperature (operation)	-40 °C ... 125 °C

Standards and regulations

Constructional and testing regulations	DIN EN 61984
	DIN EN 60664
	IEC 60352
Tests	DIN EN 61984
	DIN EN 60664
	IEC 60352

Testing

HC-B 16-A-DT-PEL-M - Terminal adapter



1648445

<https://www.phoenixcontact.com/us/products/1648445>

Standards/regulations

PA: Fire protection in rail vehicles - requirement sets R22, R23, and R24 acc. to DIN EN 45545-2 (Risk level HL1 - HL3)

Mounting

Assembly note

To ensure correct use, installation in housing with IP54 protection or better is required

Connectors may be plugged in only when there is no load/voltage.

HC-B 16-A-DT-PEL-M - Terminal adapter

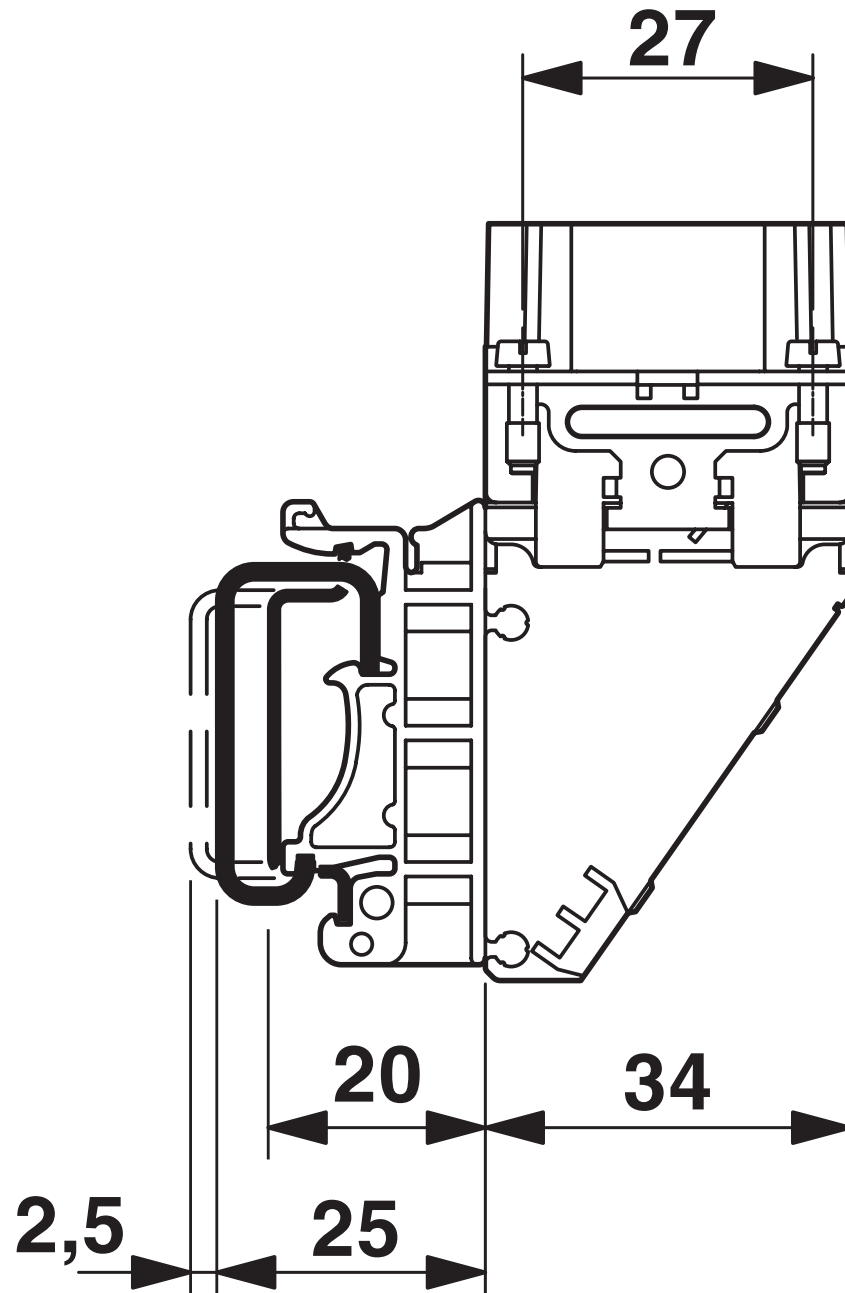


1648445

<https://www.phoenixcontact.com/us/products/1648445>

Drawings

Dimensional drawing



Dimensional drawing, side view

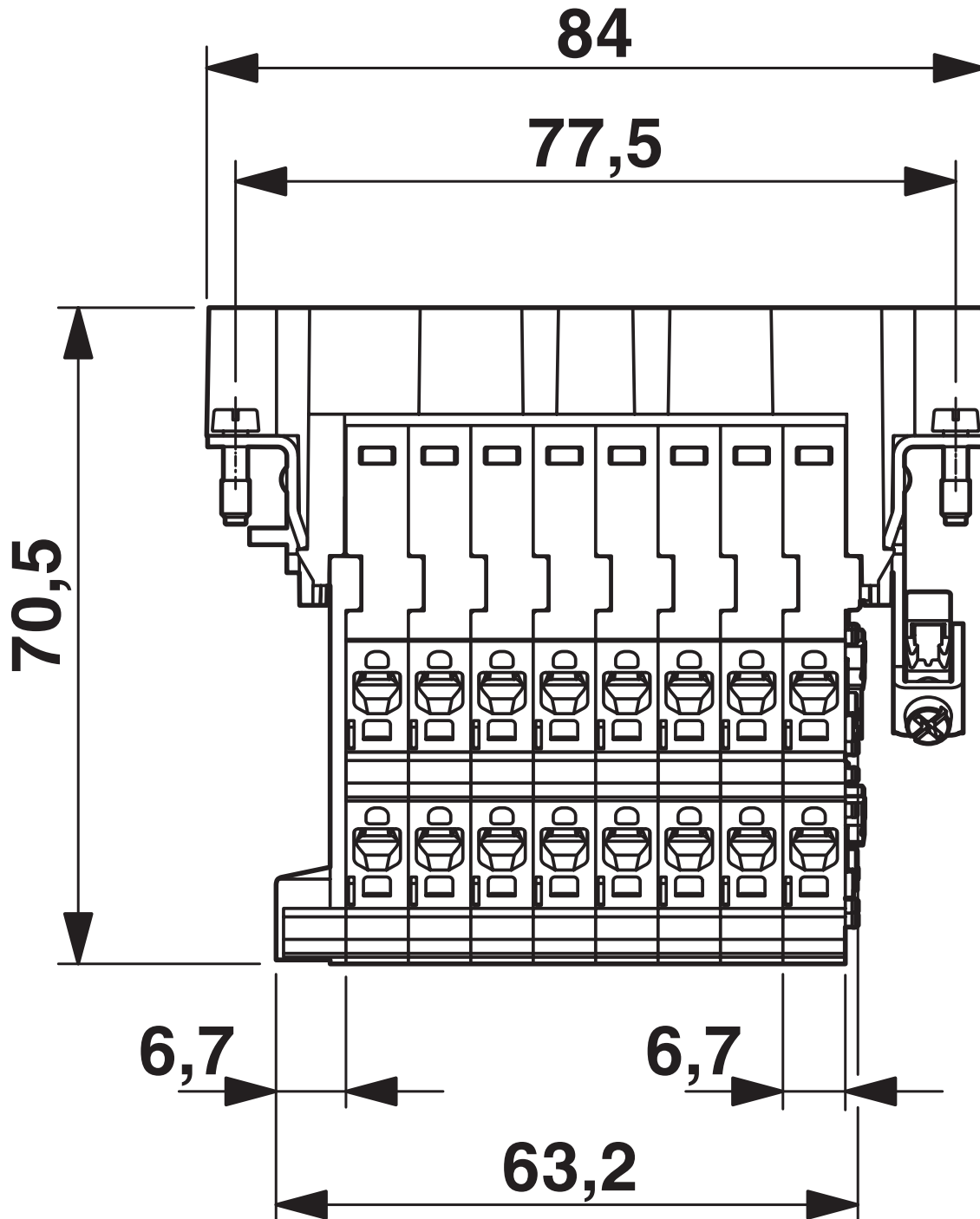
HC-B 16-A-DT-PEL-M - Terminal adapter



1648445

<https://www.phoenixcontact.com/us/products/1648445>

Dimensional drawing



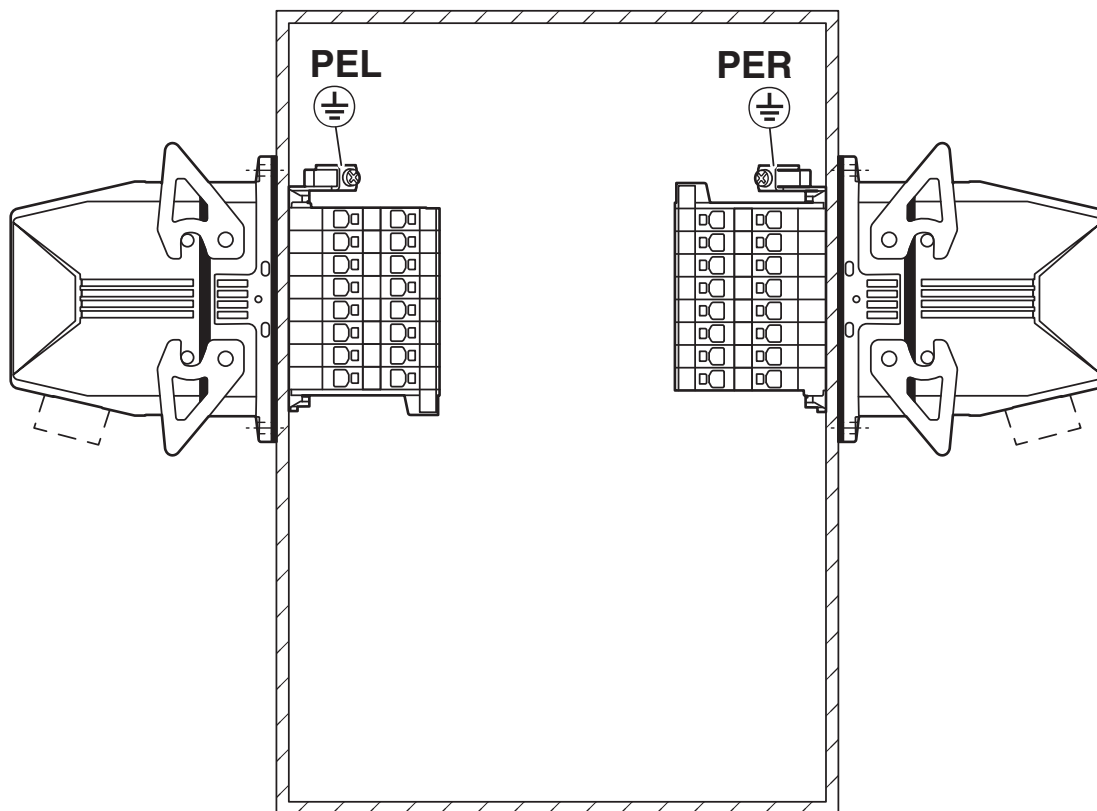
Dimensional drawing

HC-B 16-A-DT-PEL-M - Terminal adapter

1648445

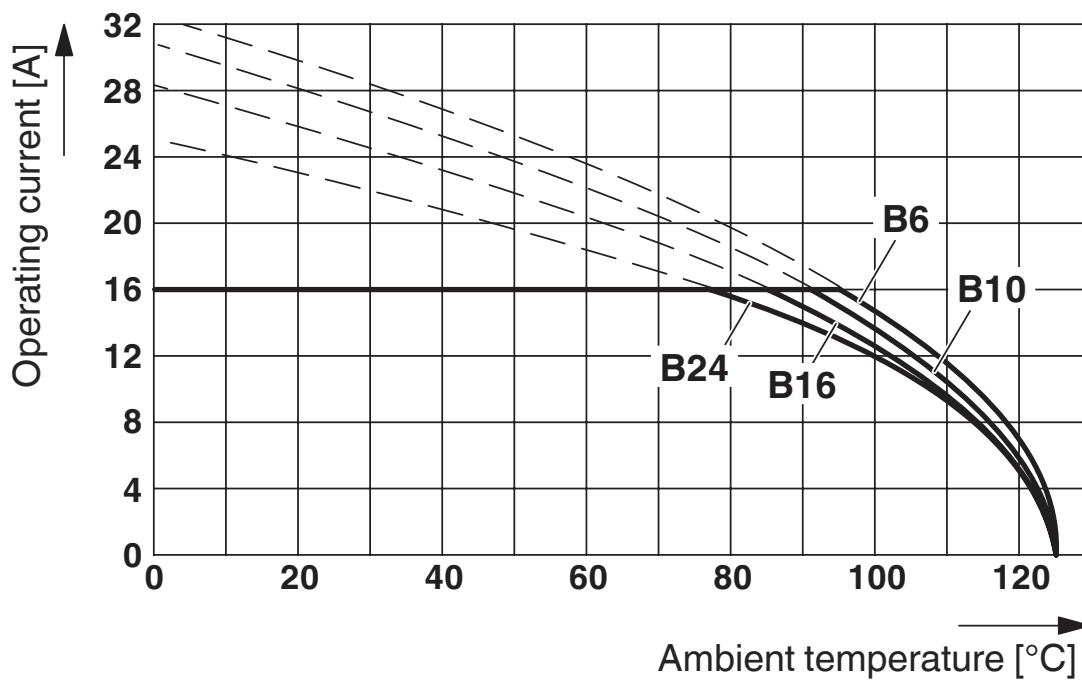
<https://www.phoenixcontact.com/us/products/1648445>

Application drawing



Mounting position PE connection left/right (PEL/PER)

Diagram



Derating diagram

HC-B 16-A-DT-PEL-M - Terminal adapter



1648445

<https://www.phoenixcontact.com/us/products/1648445>

Approvals

To download certificates, visit the product detail page: <https://www.phoenixcontact.com/us/products/1648445>



CSA

Approval ID: 013631_6233_01



cUL Recognized

Approval ID: FILE E 118976



UL Recognized

Approval ID: FILE E 118976



EAC

Approval ID: RU C-DE.BL08.B.00511



cULus Recognized

Approval ID: E468743

Nominal voltage U_N

Nominal current I_N

Cross section AWG

Cross section mm^2

600 V

13 A

- 14

-



UL Recognized

Approval ID: FILE E 118976



CSA

Approval ID: 013631_6233_01



cUL Recognized

Approval ID: FILE E 118976

HC-B 16-A-DT-PEL-M - Terminal adapter



1648445

<https://www.phoenixcontact.com/us/products/1648445>

Classifications

ECLASS

ECLASS-11.0	27440222
ECLASS-12.0	27440222
ECLASS-13.0	27440222

ETIM

ETIM 9.0	EC000438
----------	----------

UNSPSC

UNSPSC 21.0	39121500
-------------	----------

HC-B 16-A-DT-PEL-M - Terminal adapter



1648445

<https://www.phoenixcontact.com/us/products/1648445>

Environmental product compliance

EU RoHS

Fulfills EU RoHS substance requirements	Yes, No exemptions
---	--------------------

China RoHS

Environment friendly use period (EFUP)	EFUP-E
	No hazardous substances above the limits

EU REACH SVHC

REACH candidate substance (CAS No.)	No substance above 0.1 wt%
-------------------------------------	----------------------------

HC-B 16-A-DT-PEL-M - Terminal adapter



1648445

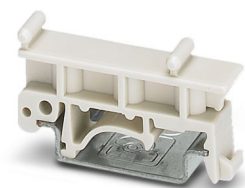
<https://www.phoenixcontact.com/us/products/1648445>

Accessories

HC-KA-FE - Foot element

1775240

<https://www.phoenixcontact.com/us/products/1775240>



Foot element, for mounting on DIN rail NS 32, DIN rail NS 35/7.5 or DIN rail NS 35/15, can be inserted between basic and side element

HC-VSH - Locking screw barrel

1660083

<https://www.phoenixcontact.com/us/products/1660083>



Locking screw barrel, for a firm connection of contact inserts and DIN-rail mountable terminal adapters

HC-B 16-A-DT-PEL-M - Terminal adapter

1648445

<https://www.phoenixcontact.com/us/products/1648445>



CP-HC - Coding profile

1686478

<https://www.phoenixcontact.com/us/products/1686478>



Coding profile, 4 coding profiles per strip, for insertion in coding keyways

HC-CST - Coding element

1676857

<https://www.phoenixcontact.com/us/products/1676857>



Coding peg for coding up to 16 connectors

HC-B 16-A-DT-PEL-M - Terminal adapter

1648445

<https://www.phoenixcontact.com/us/products/1648445>



HC-CBU - Coding element

1676860

<https://www.phoenixcontact.com/us/products/1676860>



Coding socket for coding up to 16 connectors

HC-CB - Coding bolt

1772722

<https://www.phoenixcontact.com/us/products/1772722>



Coding pin, prevents mismatching of up to six connectors with an identical number of positions

HC-B 16-A-DT-PEL-M - Terminal adapter



1648445

<https://www.phoenixcontact.com/us/products/1648445>

HC-B-PES - Screw

1604997

<https://www.phoenixcontact.com/us/products/1604997>

PE screw, for contact inserts HC-B / HC-BB / HC-DD / HC-D40 / HC-D64



HC-B-3PE - PE multiplier

1644326

<https://www.phoenixcontact.com/us/products/1644326>

PE multiplier, for 3 PE connections, for HC-B / HC-BB / HC-DD / HC-D40 / HC-D64 contact inserts



HC-B 16-A-DT-PEL-M - Terminal adapter

1648445

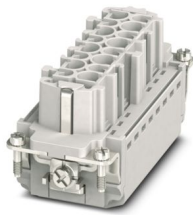
<https://www.phoenixcontact.com/us/products/1648445>



HC-B16-I-PT-F - Contact insert

1407731

<https://www.phoenixcontact.com/us/products/1407731>



Contact insert, number of positions: 16+PE, size: B16, number of connections per position: 1, Socket, Push-in connection, 500 V, 16 A, 0.14 mm² ... 2.5 mm², application: Power

SZF 0-0,4X2,5 - Screwdriver

1204504

<https://www.phoenixcontact.com/us/products/1204504>



Actuation tool, for ST terminal blocks, also suitable for use as a bladed screwdriver, size: 0.4 x 2.5 x 75 mm, 2-component grip, with non-slip grip

HC-B 16-A-DT-PEL-M - Terminal adapter

1648445

<https://www.phoenixcontact.com/us/products/1648445>



ZBF 5 CUS - Zack Marker strip, flat

0825025

<https://www.phoenixcontact.com/us/products/0825025>



Zack Marker strip, flat, can be ordered: Strip, white, labeled according to customer specifications, mounting type: snap into flat marker groove, for terminal block width: 5 mm, lettering field size: 5.15 x 5.15 mm, Number of individual labels: 10

Phoenix Contact 2024 © - all rights reserved

<https://www.phoenixcontact.com>

Phoenix Contact USA
586 Fulling Mill Road
Middletown, PA 17057, United States
(+717) 944-1300
info@phoenixcon.com