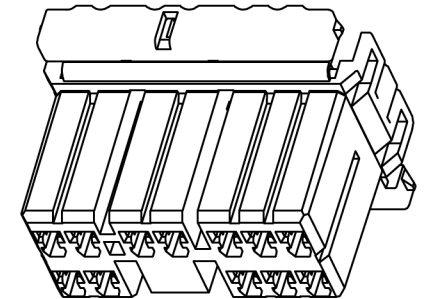
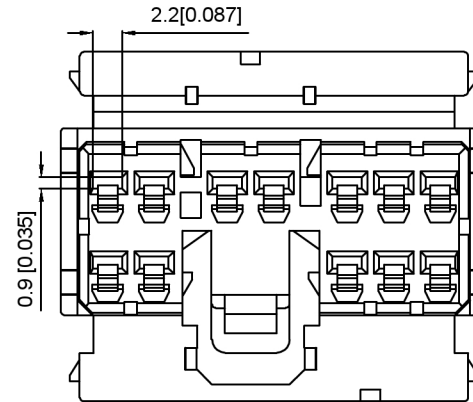
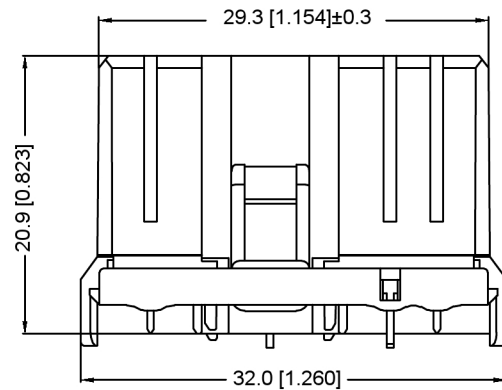


Current rating: 3A AC/DC
 额定电流: 3A AC/DC
 Temperature range: -40°C ~ +125°C
 温度范围: -40°C ~ +125°C

K 174960 H - XX - N0
 ① ② ③ ④ ⑤

- 1.K: XKBTEK-Car Connector
- 2.XKB Series No
- 3.Category:H-Housing
- 4.Row No.Pin No:XX-12 Pin
- 5.Material:N0-PA66 UL94V-0



K174960H-XX-N0	PA66	K174960W	K174960T
PART NO	Material	Suitable XKB Wafer	Suitable XKB Terminal

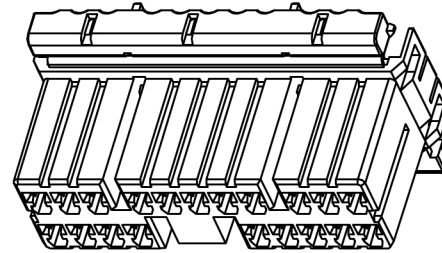
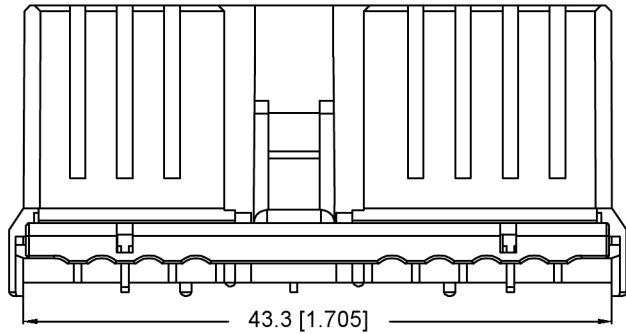
DSND	SCALE: N/A	MODEL TYPE: 3.5mm Automobile connector
DWN	VIEW:	PART NO.: K174960H-XX-N0
CHKD	UNIT: mm/in	DWG NO.: X-K174960H-XX-N0
APPD	SIZE: A4	WEIGHT SHEET REVISION
		1/1 A0

ANGLAR	±5°
L ≤ 4	±0.2
4 < L ≤ 16	±0.3
16 < L ≤ 63	±0.4
L > 63	±0.5
UNSPECIFIED TOLERANCES	



XKB INDUSTRIAL PRECISION CO., LIMITED

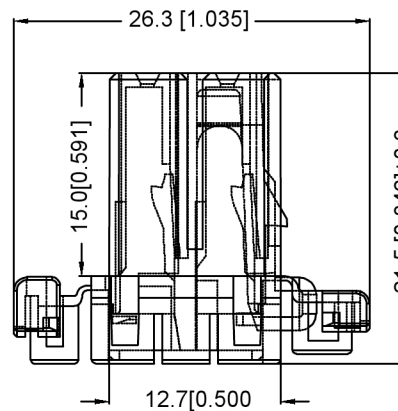
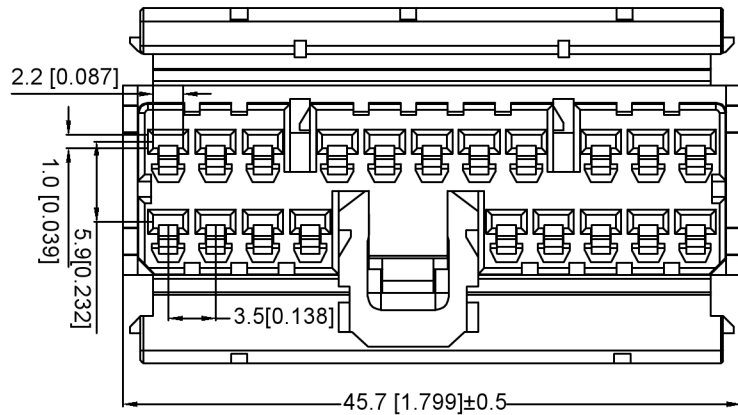
MARK	DESCRIPTION	DATE	REVISED	APPROVED
Δx				
Δx				
Δx				
REVISIONS				



Current rating:3A AC/DC
 额定电流: 3A AC/DC
 Temperature range:-40°C-+125°C
 温度范围: -40°C-+125°C

K 174960 H - XX - N0
 ① ② ③ ④ ⑤

- 1.K: XKBTEK-Car Connector
- 2.XKB Series No
- 3.Category:H-Housing
- 4.Row No.Pin No:XX-20 Pin
- 5.Material:N0-PA66 UL94V-0



K174960H-XX-N0	PA66	K174960W	K174960T
PART NO	Material	Suitable XKB Wafer	Suitable XKB Terminal

DSND	SCALE: N/A	MODEL TYPE: 3.5mm Automobile connector
DWN	VIEW:	PART NO.: K174960H-XX-N0
CHKD	UNIT: mm/in	DWG NO.: X-K174960H-XX-N0
APPD	SIZE: A4	WEIGHT SHEET REVISION
		1/1 A0



XKB INDUSTRIAL PRECISION CO., LIMITED

ANGLAR	±5°
L ≤ 4	±0.2
4 < L ≤ 16	±0.3
16 < L ≤ 63	±0.4
L > 63	±0.5
UNSPECIFIED TOLERANCES	

MARK	DESCRIPTION	DATE	REVISED	APPROVED
ΔX				
ΔX				
ΔX				
	REVISIONS			