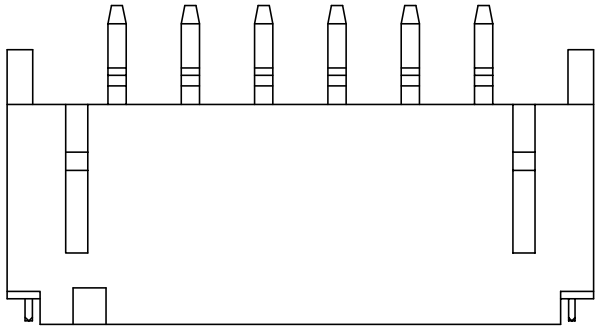
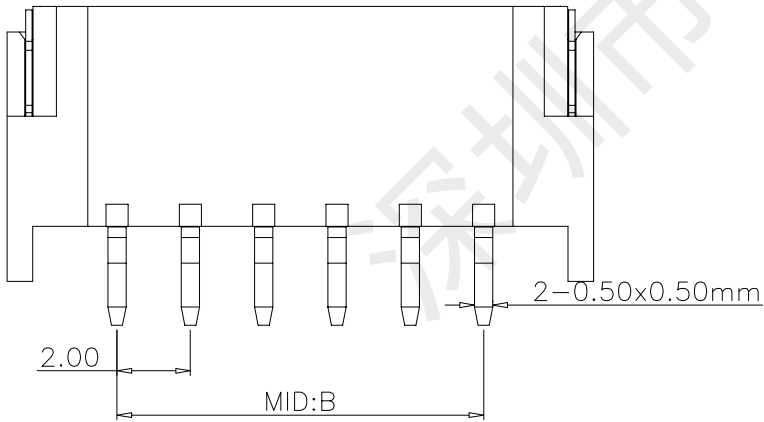
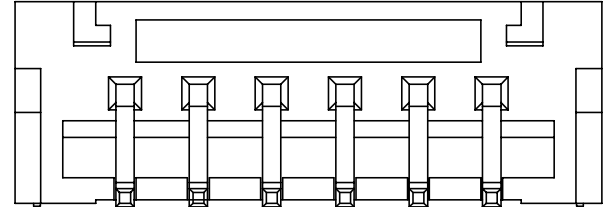
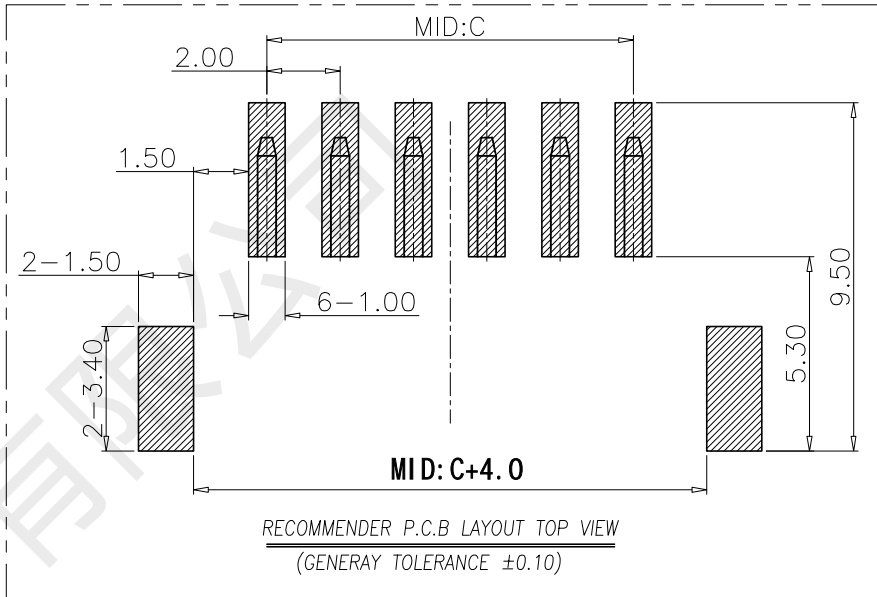
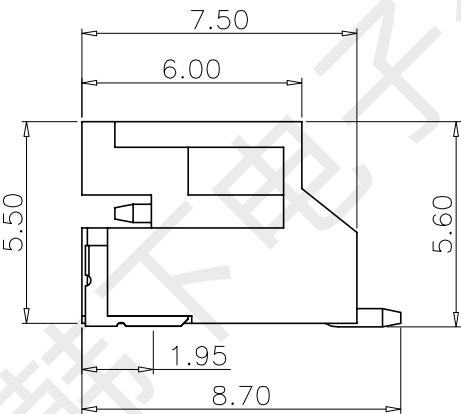
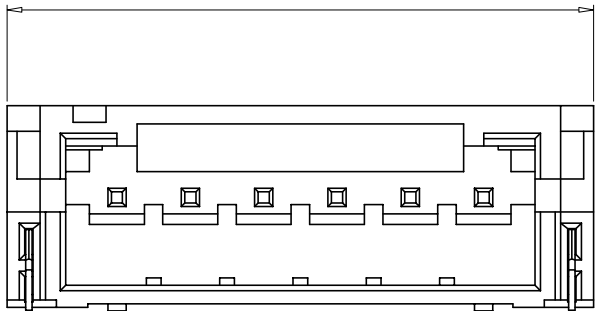


Rev No.	Description of Revision	Date	Name	Approved	ECN No.



MID. A



PIN数	MID. A	MID. B	MID. C
2P	8.00	2.00	2.00
3P	10.00	4.00	4.00
4P	12.00	6.00	6.00
5P	14.00	8.00	8.00
6P	16.00	10.00	10.00

③	端子	黄铜H65	镀亮锡	6PCS
②	固定片	黄铜H65	镀亮锡	2PCS
①	塑胶主体	LCP	本色	1PCS
序号	配件名称	材质	电镀颜色	数量

- Specifacatons:
1. Rated Voltage :125V AC/DC
 2. Rated Current : 2A AC,DC
 3. Withstand Voltage :200V AC/minute
 4. Contact Resistance:50mΩ (MAX.)
 5. Insulation Resistance:100mΩ (MIN.)
 6. Storage Temperature Range:-40°C~+85°C;
 7. Operation Temperature Range:-25°C~+70°C;

UNLESS OTHERWISE SPECIFIED TOLERANCES



DECIMALS:		ANGLES		TITLE: HX-PH2. 0-6AWB			
X.	±0.15	X'.	±2'	Drwn:	黄彬	PART NO:	WF003-LT200~
X.X	±0.10	X.X'	±1'	Checked:	张伟	SCALE:	1:8
X.XX	±0.05	X.XX'	±0.5'	Approved:	罗小春	UNIT:	mm
X.XXX	±0.03					SIZE:	A4
						SHEET:	1 OF 1
						REV:	A

CUSTOMER COPY