



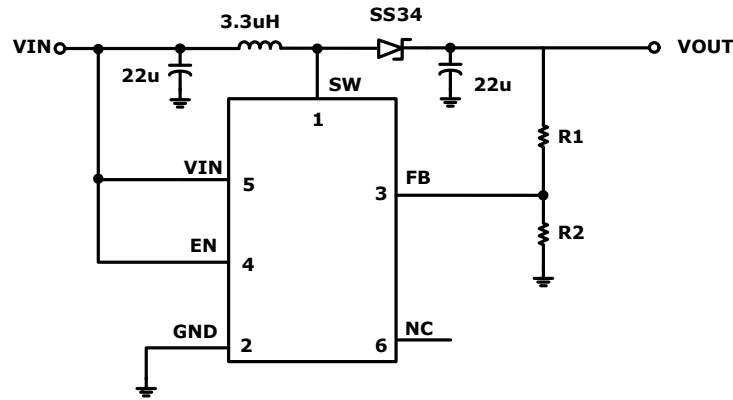
产品概述

HFP6291LR-G1是一款微型、高效率、升压型 DC/DC 调整器。电路由电流模 PWM 控制环路，误差放大器，斜波补偿电路，比较器和功率开关等模块组成。该芯片可在较宽负载范围内高效稳定的工作，内置一个 4A 的功率开关和软启动保护电路。高达 93% 的转换效率能够高效的延长电池寿命。可以通过调整两个外加电阻来设定输出电压。

用途

- 便携式移动设备
- 无线通信设备
- 电池后备电源

典型应用电路



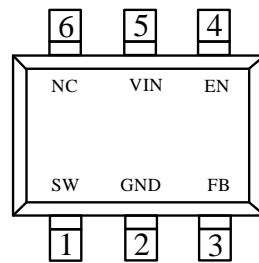
产品特点

- 效率高达 93%
- 输出电压可升到 28V
- 输入电压范围 2-24V
- 1.2MHz 的固定开关频率
- 自动 PWM/PFM 切换模式
- 功率通路支持短路保护

封装

- SOT-23-6L

引脚配置

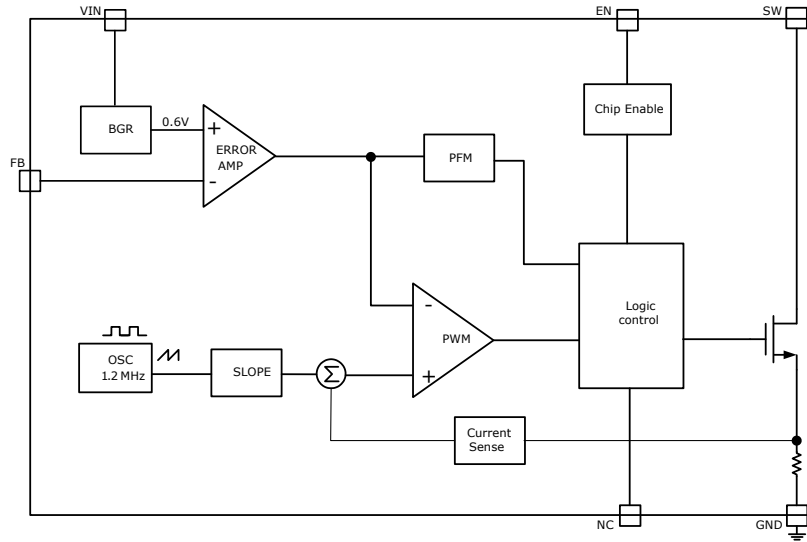


SOT-23-6L

脚位顺序	引脚名称	功能描述
1	SW	开关引脚
2	GND	接地端
3	FB	反馈端
4	EN	使能端，高有效
5	VIN	输入端
6	NC	悬空



功能框图



绝对最大额定值

项目	符号	绝对最大额定值	单位
输入电压	VIN	$V_{SS}-0.3 \sim V_{SS}+24$	V
输出电压	VOUT	$V_{SS}-0.3 \sim V_{SS}+28$	
	VSW	$V_{SS}-0.3 \sim V_{SS}+28$	
SW端开关电流	ISW	4	A
容许功耗	PD	250	mW
工作环境温度	Topr	-40 ~ +80	°C
保存温度	Tstg	-40 ~ +125	

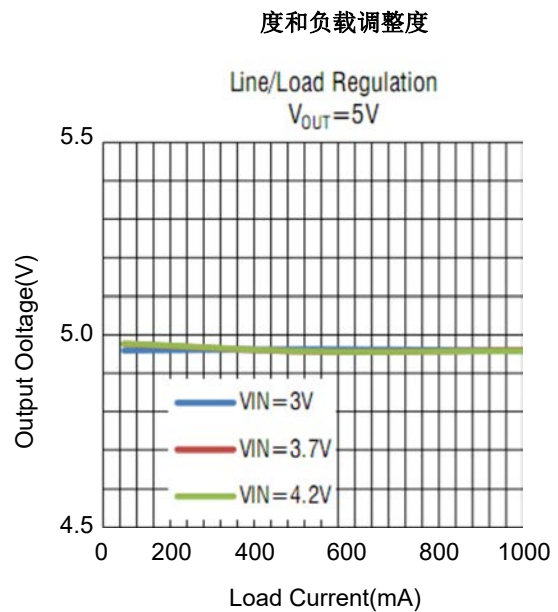
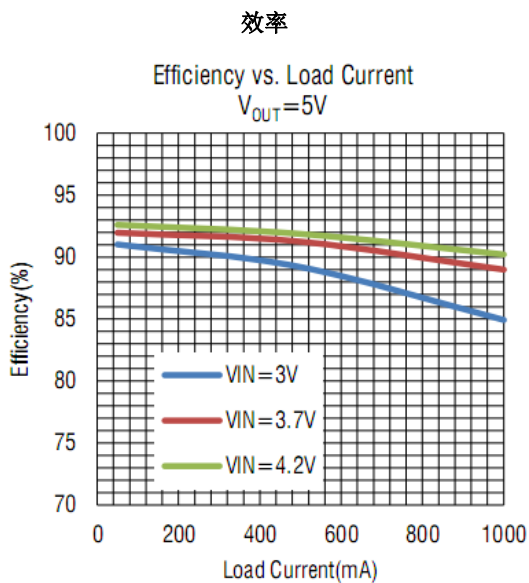


电学特性参数

(VIN=5V, Ta=25°C, 除非另有指定)

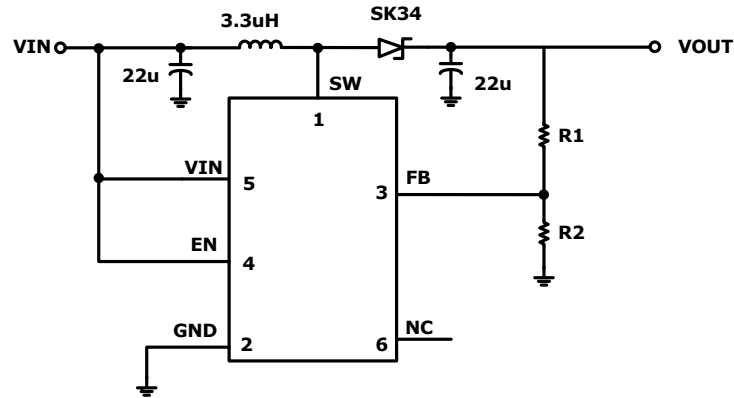
项目	符号	条件	最小值	典型值	最大值	单位
输出电压	VOUT	-	2.5		28	V
输入电压	VIN	-	2	-	24	
输入欠压保护	UVLO_F		1.7		2	V
欠压保护迟滞	UVLO_HYS	-	-	100	-	mV
关断电流	IOFF	VEN<VENL	-	0.01	1	μA
无负载电流	IC	VIN=3.6V, VOUT=5V	-	100	-	μA
反馈基准电压	VR	VOUT=5V	588	600	612	mV
开关频率	FS	IOUT=1.2A	-	1.2	-	MHz
最大占空比	DMAX	VFB=0V	85	-	-	%
功率管内阻	RDSON	VIN=3.6V, ISW=2A	-	80	150	mΩ
开关电流	ISW	VIN=4.2V	-	4	-	A
线性调整度	ΔVLINE	IOUT=1.2A, VIN=3V 到 4.2V	-	0.4	-	%
负载调整度	ΔVLOAD	VIN=3.6V, IOUT=10mA 到 1.2A	-	0.45	-	%
EN 高电平	VENH	VIN=3.6V	1.2	-	-	V
EN 低电平	VENL	VIN=3.6V	-	-	0.4	V
SW 端漏电流	ISW_L	VSW=20V			1	uA
过热关断温度	TSHD	VIN=3.6V, IOUT=10mA	-	160	-	°C

典型特性曲线





应用信息



输出电压的设置

通过 FB 的外部电阻分压，输出电压值可根据以下公式计算：

$$V_{OUT} = V_{FB} \times \left(1 + \frac{R1}{R2} \right), \text{ R1 取百 K 级电阻}$$

电感选择

推荐电感值范围选择 3.3uH 到 22uH。电感选择主要考虑较小的 DCR 电阻以确保较高的效率。

输入输出电容

输入电容和输出电容的容值建议使用 22uF 以上，为了得到更小的输出纹波，建议输出使用陶瓷电容。

二极管

续流二极管请使用快速响应的肖特基二极管，正向压降越低则负载效率越高。针对不同的输出电压，注意续流二极管的反向耐压选择要足够高 (>VOUT+5V) 以防止反向漏电或者击穿。

PCB 布局

为了得到更好的使用效果，PCB 布局主要注意事项如下：

输入电容和输出电容尽可能靠近芯片引脚；

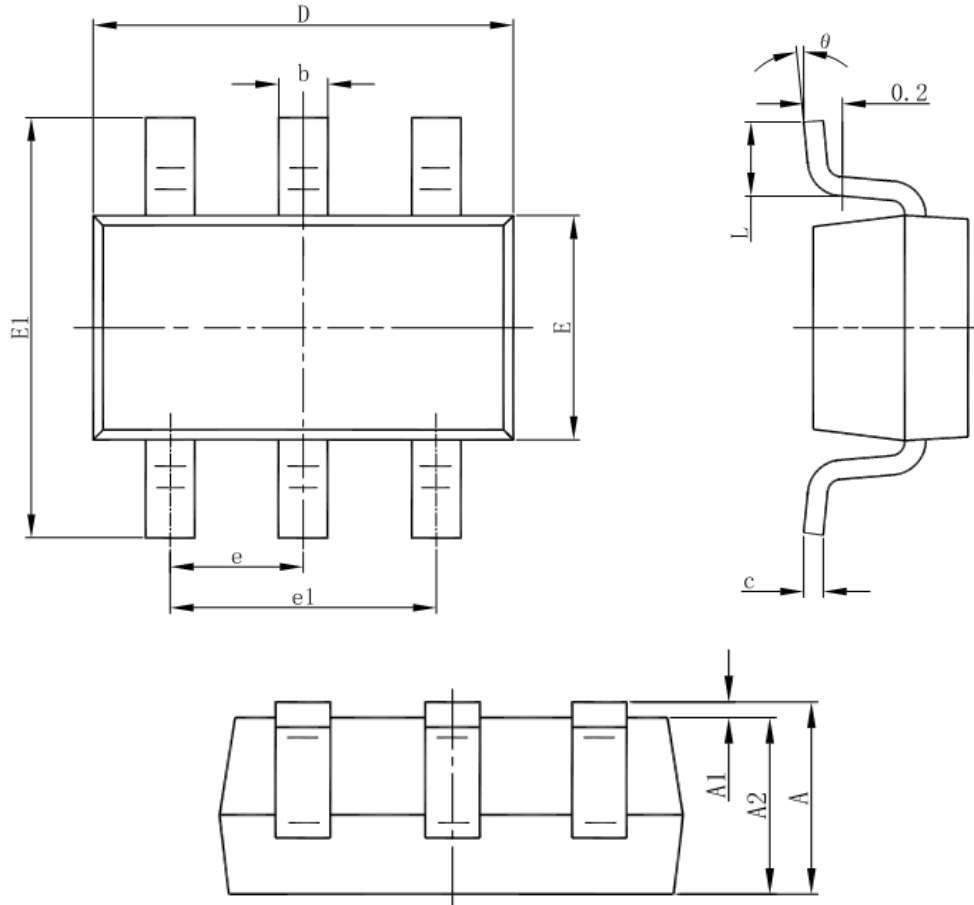
从 VIN 到电感 L 再到 VOUT 的功率通路，走线尽可能短而粗；

SW 引脚有高频开关信号，注意和板上其他元件的隔离。



封装信息

SOT-23-6L



Symbol	Dimensions In Millimeters		Dimensions In Inches	
	Min	Max	Min	Max
A	1.050	1.250	0.041	0.049
A1	0.000	0.100	0.000	0.004
A2	1.050	1.150	0.041	0.045
b	0.300	0.500	0.012	0.020
c	0.100	0.200	0.004	0.008
D	2.820	3.020	0.111	0.119
E	1.500	1.700	0.059	0.067
E1	2.650	2.950	0.104	0.116
e	0.950(BSC)		0.037(BSC)	
e1	1.800	2.000	0.071	0.079
L	0.300	0.600	0.012	0.024
θ	0°	8°	0°	8°



Attention

- Any and all HUA XUAN YANG ELECTRONICS products described or contained herein do not have specifications that can handle applications that require extremely high levels of reliability, such as life-support systems, aircraft's control systems, or other applications whose failure can be reasonably expected to result in serious physical and/or material damage. Consult with your HUA XUAN YANG ELECTRONICS representative nearest you before using any HUA XUAN YANG ELECTRONICS products described or contained herein in such applications.
- HUA XUAN YANG ELECTRONICS assumes no responsibility for equipment failures that result from using products at values that exceed, even momentarily, rated values (such as maximum ratings, operating condition ranges, or other parameters) listed in products specifications of any and all HUA XUAN YANG ELECTRONICS products described or contained herein.
- Specifications of any and all HUA XUAN YANG ELECTRONICS products described or contained herein stipulate the performance, characteristics, and functions of the described products in the independent state, and are not guarantees of the performance, characteristics, and functions of the described products as mounted in the customer's products or equipment. To verify symptoms and states that cannot be evaluated in an independent device, the customer should always evaluate and test devices mounted in the customer's products or equipment.
- HUA XUAN YANG ELECTRONICS CO.,LTD. strives to supply high-quality high-reliability products. However, any and all semiconductor products fail with some probability. It is possible that these probabilistic failures could give rise to accidents or events that could endanger human lives, that could give rise to smoke or fire, or that could cause damage to other property. When designing equipment, adopt safety measures so that these kinds of accidents or events cannot occur. Such measures include but are not limited to protective circuits and error prevention circuits for safe design, redundant design, and structural design.
- In the event that any or all HUA XUAN YANG ELECTRONICS products(including technical data, services) described or contained herein are controlled under any of applicable local export control laws and regulations, such products must not be exported without obtaining the export license from the authorities concerned in accordance with the above law.
- No part of this publication may be reproduced or transmitted in any form or by any means, electronic or mechanical, including photocopying and recording, or any information storage or retrieval system, or otherwise, without the prior written permission of HUA XUAN YANG ELECTRONICS CO.,LTD.
- Information (including circuit diagrams and circuit parameters) herein is for example only ; it is not guaranteed for volume production. HUA XUAN YANG ELECTRONICS believes information herein is accurate and reliable, but no guarantees are made or implied regarding its use or any infringements of intellectual property rights or other rights of third parties.
- Any and all information described or contained herein are subject to change without notice due to product/technology improvement, etc. When designing equipment, refer to the "Delivery Specification" for the HUA XUAN YANG ELECTRONICS product that you intend to use.