

**NOTES:**

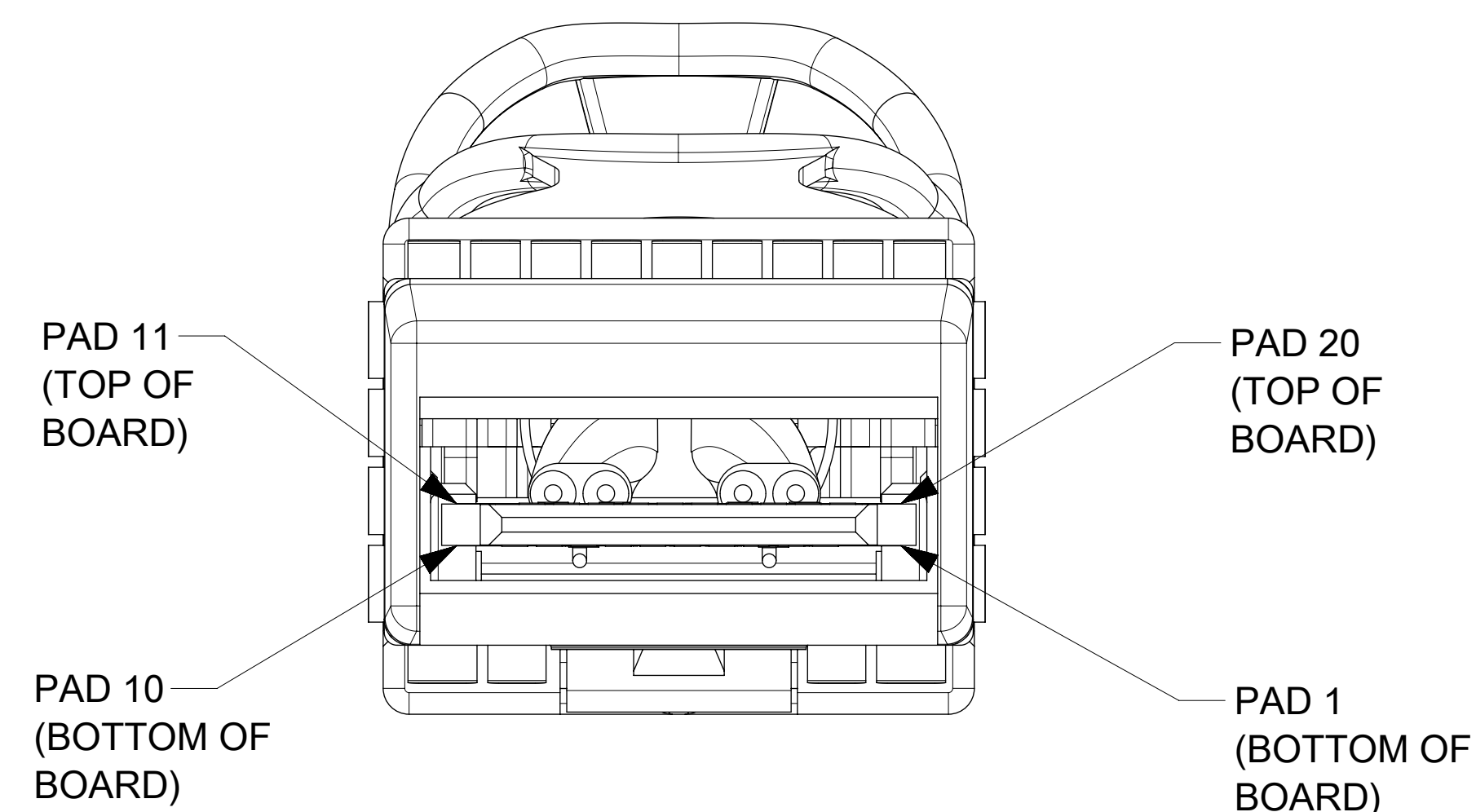
1. MATERIALS
  - BACKSHELLS- NICKEL PLATED ZINC
  - DE-LATCH - PLASTIC
  - PCB - FR-4
  - RIVETS - STAINLESS STEEL
2. IMPEDANCE - 100 OHMS DIFFERENTIAL, PASSIVE
3. PULL TO RELEASE, PLUNGER STYLE LATCH
4. EACH ASSEMBLY HAS A SERIAL ID
5. 11.09 Gbps BACKWARDS COMPATIBLE TO 1.0625 Gbps
6. RoHS COMPLIANT, NO EXEMPTIONS

SYMBOLS	THIS DRAWING CONTAINS INFORMATION THAT IS PROPRIETARY TO MOLEX ELECTRONIC TECHNOLOGIES, LLC AND SHOULD NOT BE USED WITHOUT WRITTEN PERMISSION										
	DIMENSION UNITS	SCALE	CURRENT REV DESC: DWG UPDATED							<b>molex</b>	
▽ = 0	mm	2:1									
▽ = 0	GENERAL TOLERANCES (UNLESS SPECIFIED)		EC NO: 177616							PRODUCT CUSTOMER DRAWING	
▽ = 0	ANGULAR TOL ± 2.0°		DRWN: MTAMBRALLI 2018/05/25							DOCUMENT NUMBER	
▽ = 0	4 PLACES ±		CHK'D: GSARVADE 2018/06/04							747520001	
▽ = 0	3 PLACES ±		APPR: ARAYBURN 2018/06/05							PSD 000 V	
▽ = 0	2 PLACES ± 0.13		INITIAL REVISION:							REVISION	
▽ = 0	1 PLACE ± 0.25		DRWN: DRAMIREZ02 2016/11/17							MATERIAL NUMBER	
▽ = 0	0 PLACES ±		APPR: ARAYBURN 2016/11/22							CUSTOMER	
☒ = 0	DRAFT WHERE APPLICABLE MUST REMAIN WITHIN DIMENSIONS		THIRD ANGLE PROJECTION		DRAWING	SERIES	MATERIAL NUMBER		CUSTOMER		
■ = 0					D-SIZE	74752	SEE PN TABLE		GENERAL MARKET		
▽ = 0							SHEET NUMBER		1 OF 3		

WIRING DIAGRAM				
P1 END			P2 END	
PAD	SIGNAL		PAD	SIGNAL
12	RD-	<-----	19	TD-
13	RD+	<-----	18	TD+
18	TD+	----->	13	RD+
19	TD-	----->	12	RD-

LOW SPEED SIGNALS	
SFP+	
PAD	SIGNAL
02	Tx_Fault
03	Tx_Disable
04	SDA
05	SCL
06	Mod_ABS
07	RS0
08	Rx_LOS
09	RS1
15	VccR
16	VccT

CUSTOM LENGTHS AVAILABLE.  
LONGER LENGTH APPLICATIONS REQUIRE  
HOST SYSTEM PRE-EMPHASIS AND  
EQUALIZATION.  
SEE DATASHEET FOR MORE INFORMATION.



SYMBOLS	THIS DRAWING CONTAINS INFORMATION THAT IS PROPRIETARY TO MOLEX ELECTRONIC TECHNOLOGIES, LLC AND SHOULD NOT BE USED WITHOUT WRITTEN PERMISSION		
	DIMENSION UNITS	SCALE	CURRENT REV DESC: DWG UPDATED
▽ = 0	mm	7:1	EC NO: 177616 DRWN: MTAMBRALLI 2018/05/25 CHK'D: GSARVADE 2018/06/04 APPR: ARAYBURN 2018/06/05
▽ = 0	GENERAL TOLERANCES (UNLESS SPECIFIED)		
▽ = 0	ANGULAR TOL ± 2.0°		INITIAL REVISION: DRWN: DRAMIREZ02 2016/11/17 APPR: ARAYBURN 2016/11/22
▽ = 0	4 PLACES	±	
▽ = 0	3 PLACES	±	DOCUMENT NUMBER <b>747520001</b>
▽ = 0	2 PLACES	± 0.13	
▽ = 0	1 PLACE	± 0.25	DOC TYPE PSD
▽ = 0	0 PLACES	±	
▽ = 0	DRAFT WHERE APPLICABLE MUST REMAIN WITHIN DIMENSIONS	THIRD ANGLE PROJECTION	DRAWING <b>D-SIZE</b>
▽ = 0			
		SERIES <b>74752</b>	CUSTOMER GENERAL MARKET
		MATERIAL NUMBER SEE PN TABLE	
		REVISION <b>V</b>	
		SHEET NUMBER <b>2 OF 3</b>	

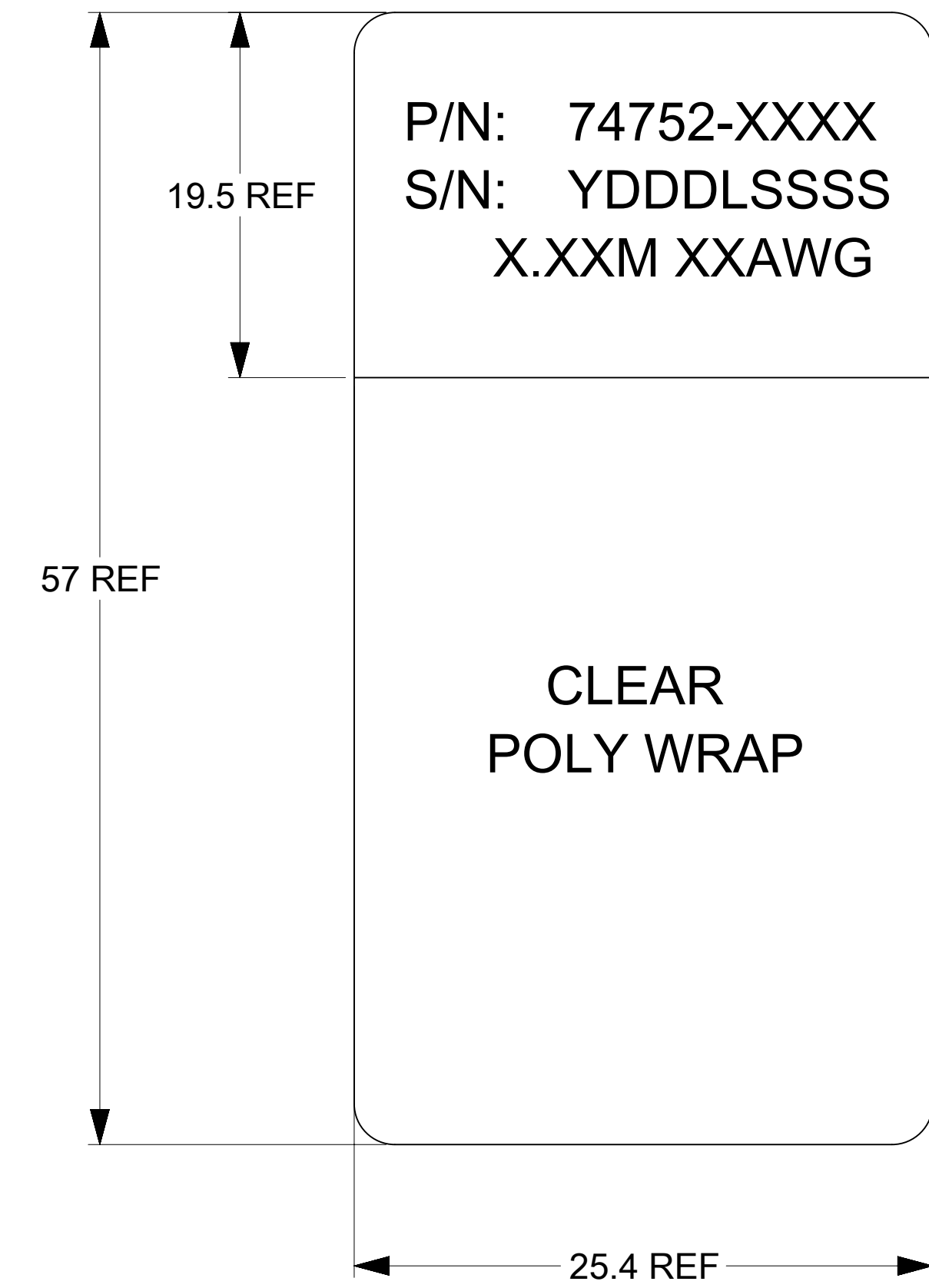
### PART NUMBER TABLE

PART NUMBER	LENGTH	TOL.	AWG
747521031	0.30M	± 0.03M	30
747521034	0.34M	± 0.03M	30
747521051	0.50M	± 0.05M	30
747521101	1.0M	± 0.05M	30
747521151	1.5M	± 0.05M	30
747521201	2.0M	± 0.05M	30
747521251	2.5M	± 0.05M	30
747521301	3.0M	± 0.05M	30
747521401	4.0M	± 0.05M	30
747521501	5.0M	± 0.08M	30
747521601	6.0M	± 0.08M	30
747521701	7.0M	± 0.08M	30
747521801	8.0M	± 0.08M	30
747521901	9.0M	± 0.08M	30
747529001	10.0M	± 0.08M	30
747522031	0.30M	± 0.03M	28
747522051	0.50M	± 0.03M	28
747522101	1.0M	± 0.05M	28
747522151	1.5M	± 0.05M	28
747522201	2.0M	± 0.05M	28
747522301	3.0M	± 0.05M	28
747522401	4.0M	± 0.05M	28
747522501	5.0M	± 0.08M	28
747522701	7.0M	± 0.08M	28
747522801	8.0M	± 0.08M	28
747522901	9.0M	± 0.08M	28
747529002	10.0M	± 0.08M	28
747529010	15.0M	± 0.08M	28

\*1M AND SHORTER LENGTH CABLES ARE NOT FULLY COMPLIANCE WITH SFF-8431 FOR SCC11.

PART NUMBER	LENGTH	TOL.	AWG
747523051	0.50M	± 0.03M	26
747523061	0.60M	± 0.03M	26
747523101	1.0M	± 0.05M	26
747523201	2.0M	± 0.05M	26
747523301	3.0M	± 0.05M	26
747523501	5.0M	± 0.08M	26
747523701	7.0M	± 0.08M	26
747523901	9.0M	± 0.08M	26
747529003	10.0M	± 0.08M	26
747529225	1.6M	± 0.05M	26
747529226	1.75M	± 0.05M	26
747529227	2.25M	± 0.05M	26
747524051	0.50M	± 0.03M	24
747524101	1.0M	± 0.05M	24
747524201	2.0M	± 0.05M	24
747524301	3.0M	± 0.05M	24
747524401	4.0M	± 0.05M	24
747524501	5.0M	± 0.08M	24
747524541	5.4M	± 0.08M	24
747524571	5.7M	± 0.08M	24
747524601	6.0M	± 0.08M	24
747524701	7.0M	± 0.08M	24
747524801	8.0M	± 0.08M	24
747524901	9.0M	± 0.08M	24
747529004	10.0M	± 0.08M	24
747529013	11.0M	± 0.08M	24
747529008	12.0M	± 0.08M	24
747529015	13.0M	± 0.08M	24
747529016	14.0M	± 0.08M	24
747529007	15.0M	± 0.08M	24

### CABLE LABEL DETAIL



YDDDLSSSS  
 Y---YEAR, THE LAST DIGIT OF THE YEAR  
 DDD---DAY OF THE YEAR  
 L---LOCATION (1=US, 2=MEXICO, 3=CHINA, 4=PHILIPPINES)  
 SSSS---SERIAL NUMBER (0001-9999)

X.XXM---LENGTH AS SHOWN IN P/N TABLE

XXAWG---AWG SIZE

SYMBOLS	THIS DRAWING CONTAINS INFORMATION THAT IS PROPRIETARY TO MOLEX ELECTRONIC TECHNOLOGIES, LLC AND SHOULD NOT BE USED WITHOUT WRITTEN PERMISSION		
	DIMENSION UNITS	SCALE	CURRENT REV DESC: DWG UPDATED
▽ = 0	mm	1:1	<b>molex</b> SFP+ TO SFP+ 10G PASSIVE CABLE ASSEMBLY PRODUCT CUSTOMER DRAWING
▽ = 0	GENERAL TOLERANCES (UNLESS SPECIFIED)		
▽ = 0	ANGULAR TOL ± 2.0°		
▽ = 0	4 PLACES	±	
▽ = 0	3 PLACES	±	
▽ = 0	2 PLACES	± 0.13	EC NO: 177616 DRWN: MTAMBRALLI 2018/05/25 CHK'D: GSARVADE 2018/06/04 APPR: ARAYBURN 2018/06/05
▽ = 0	1 PLACE	± 0.25	INITIAL REVISION: DRWN: DRAMIREZ02 2016/11/17 APPR: ARAYBURN 2016/11/22
▽ = 0	0 PLACES	±	DOCUMENT NUMBER: <b>747520001</b> DOC TYPE: PSD DOC PART: 000 REVISION: V
■ = 0	DRAFT WHERE APPLICABLE MUST REMAIN WITHIN DIMENSIONS	THIRD ANGLE PROJECTION	MATERIAL NUMBER: SEE PN TABLE CUSTOMER: GENERAL MARKET SHEET NUMBER: 3 OF 3
▽ = 0		D-SIZE	SERIES: 74752