

6

5

4

3

2

1

E

E

D

D

C

C

B

B

A

A

6

5

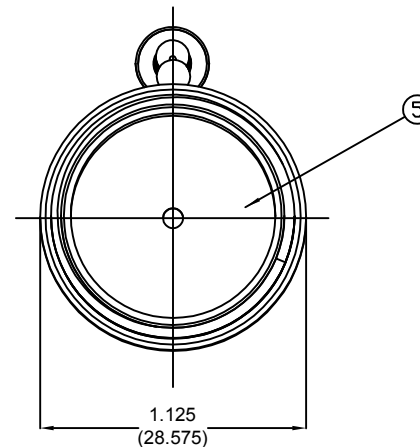
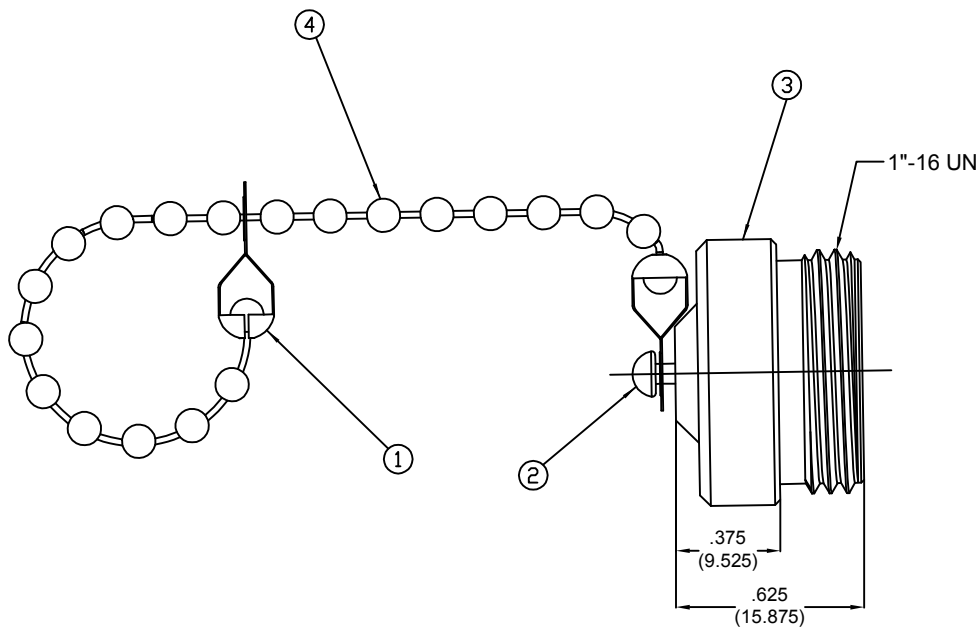
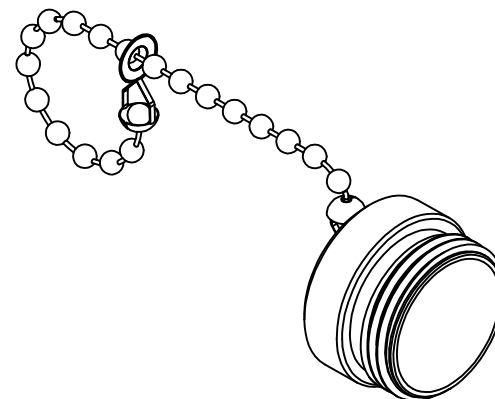
4

3

2

1

PART NUMBER	OLD PART NUMBER
1302011115	65-0102



-	COMPONENT	MATERIAL	FINISH
1	BEAD CHAIN FITTING (1/8IN.)	STEEL	NICKEL PLATED
2	.187 SCREW	STAINLESS STEEL	PASSIVATED
3	CLOSURE CAP	ZINC DIE CAST	BLACK E-COAT
4	BEAD CHAIN	STEEL	NICKEL PLATED
5	GASKET	NEOPRENE	BLACK

I	EC NO: WNA2010-0126	DESCRIPTION
	DRWN: TVICKERS 8/21/09	
	CHKD: B.WOODMA	
	APPR: DTTILUS 2009/08/26	
A	REV	

QUALITY SYMBOLS
▽=0
▽C=0

GENERAL TOLERANCES (UNLESS SPECIFIED)		
	mm	INCH
4 PLACES	±---	±---
3 PLACES	±.005	±.005
2 PLACES	±.013	±.010
1 PLACE	±.025	±.020
ANGULAR ±1/2°		
DRAFT WHERE APPLICABLE MUST REMAIN WITHIN DIMENSIONS		

DIMENSION STYLE	
IN/MM	
DRAWN BY	DATE
TVICKERS	2009/08/21
CHECKED BY	DATE
B.WOODMA	2009/08/21
APPROVED BY	DATE
J.MURPHY	2009/08/21
MATERIAL NO.	
SEE CHART	
SIZE	
A	

SCALE	DESIGN UNITS	THIRD ANGLE PROJECTION
1:1	INCH	
TITLE		
CLOSURE CAP ASSEMBLY		
MATERIAL NO.		
SEE CHART		
DOCUMENT NO.		SHEET NO.
SD-130201-0229		1 OF 1

THIS DRAWING CONTAINS INFORMATION THAT IS PROPRIETARY TO MOLEX INCORPORATED AND SHOULD NOT BE USED WITHOUT WRITTEN PERMISSION