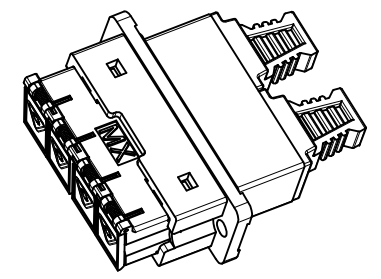
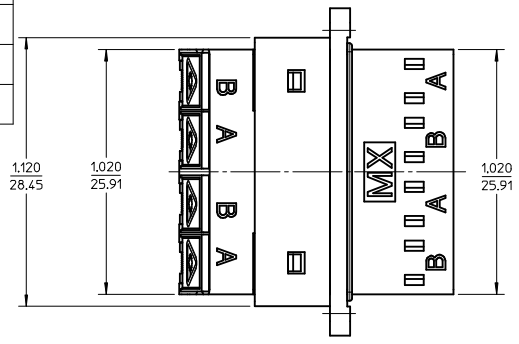
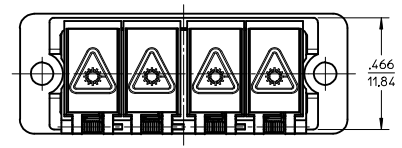


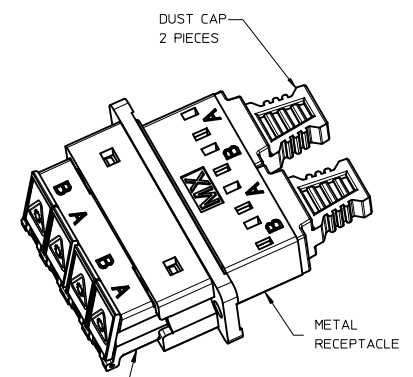
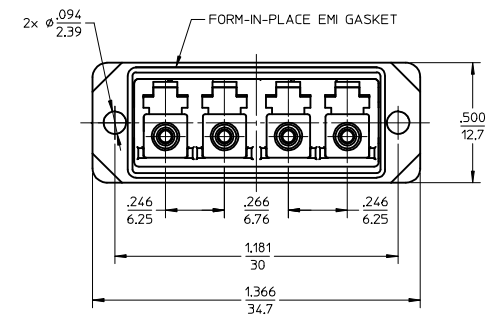
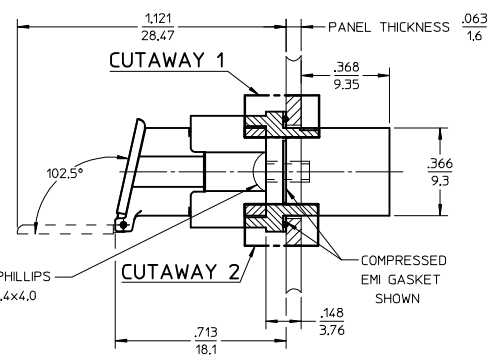
ADAPTER P/N	RECEPTACLE COLOR	LC DOOR COLOR
106123-0700	BLUE	BLUE
106123-0750	GREEN	GREEN
106123-0751	BEIGE	BEIGE



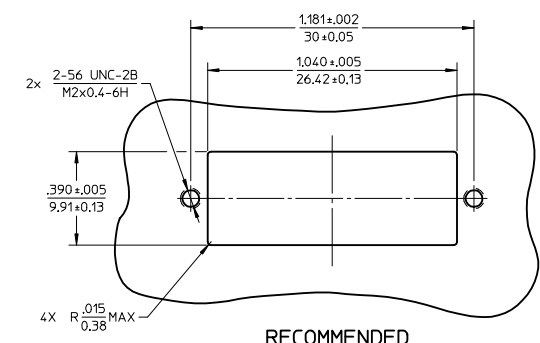
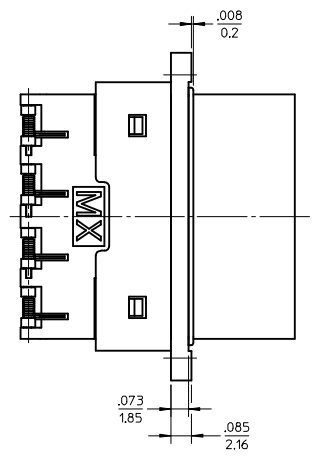
ISO VIEW 2
SCALE 2:1



RECOMMENDED PAN HEAD PHILLIPS
SCREW 2-56 x 3/16 / M2x0.4x4.0
2 PIECES
NOT PROVIDED



ISO VIEW 1
SCALE 2:1



RECOMMENDED
MOUNTING PATTERN

- NOTES:
- ALL DIMENSIONS ARE FOR REFERENCE.
 - TWO DUST CAPS SHOWN IN ISOMETRIC VIEWS ONLY.
 - LC EMI QUAD ADAPTER HAS SC DUPLEX ADAPTER FOOTPRINT.

ENTER DESCRIPTION EC NO: MF2013-0264 DRW:KPEVZNER 2012/11/09 CHKD: APPR: LGUMIN 2012/11/09	QUALITY SYMBOLS ▽=0 ▽=0 ▽=0	GENERAL TOLERANCES (UNLESS SPECIFIED)		DIMENSION STYLE IN/MM		SCALE 2.5:1	DESIGN UNITS INCH	THIRD ANGLE PROJECTION	
		4 PLACES ± --- ± --- 3 PLACES ± --- ± --- 2 PLACES ± --- ± --- 1 PLACE ± --- ± --- 0 PLACE ± ±	mm INCH YB DATE 9.02.05 SM DATE 9.02.05 IM DATE 9.02.05	MATERIAL NO. SEE TABLE		DOCUMENT NO. SD-106123-0700	SHEET NO. 1 OF 1		
DRAFT WHERE APPLICABLE MUST REMAIN WITHIN DIMENSIONS		THIS DRAWING CONTAINS INFORMATION THAT IS PROPRIETARY TO MOLEX INCORPORATED AND SHOULD NOT BE USED WITHOUT WRITTEN PERMISSION							