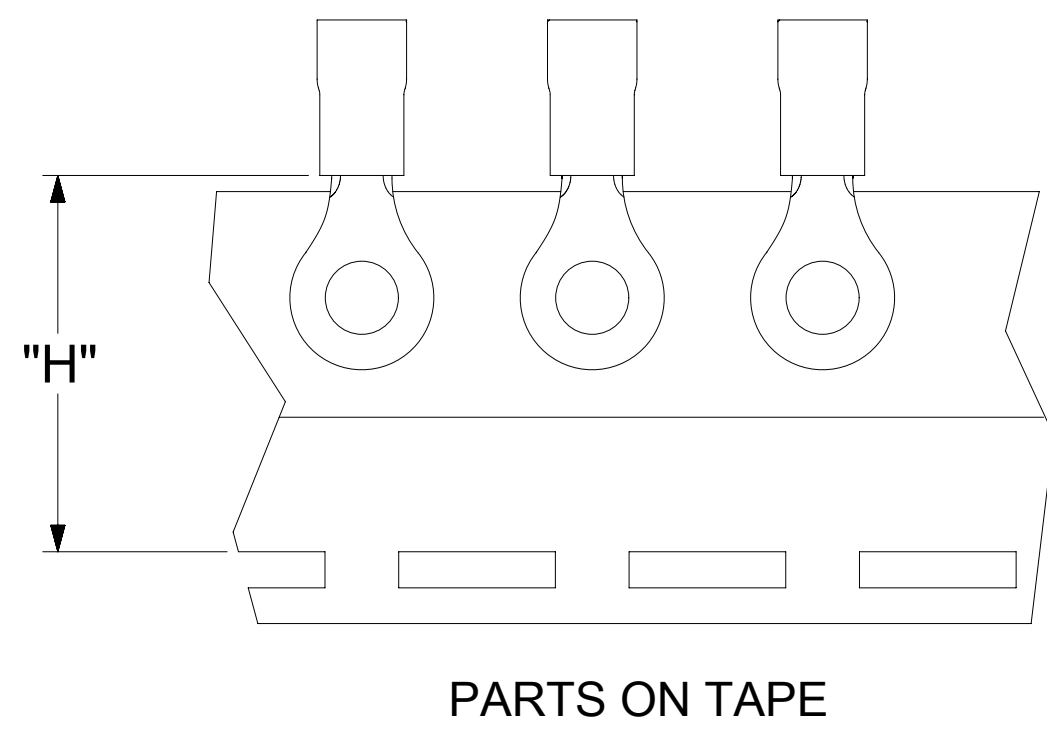
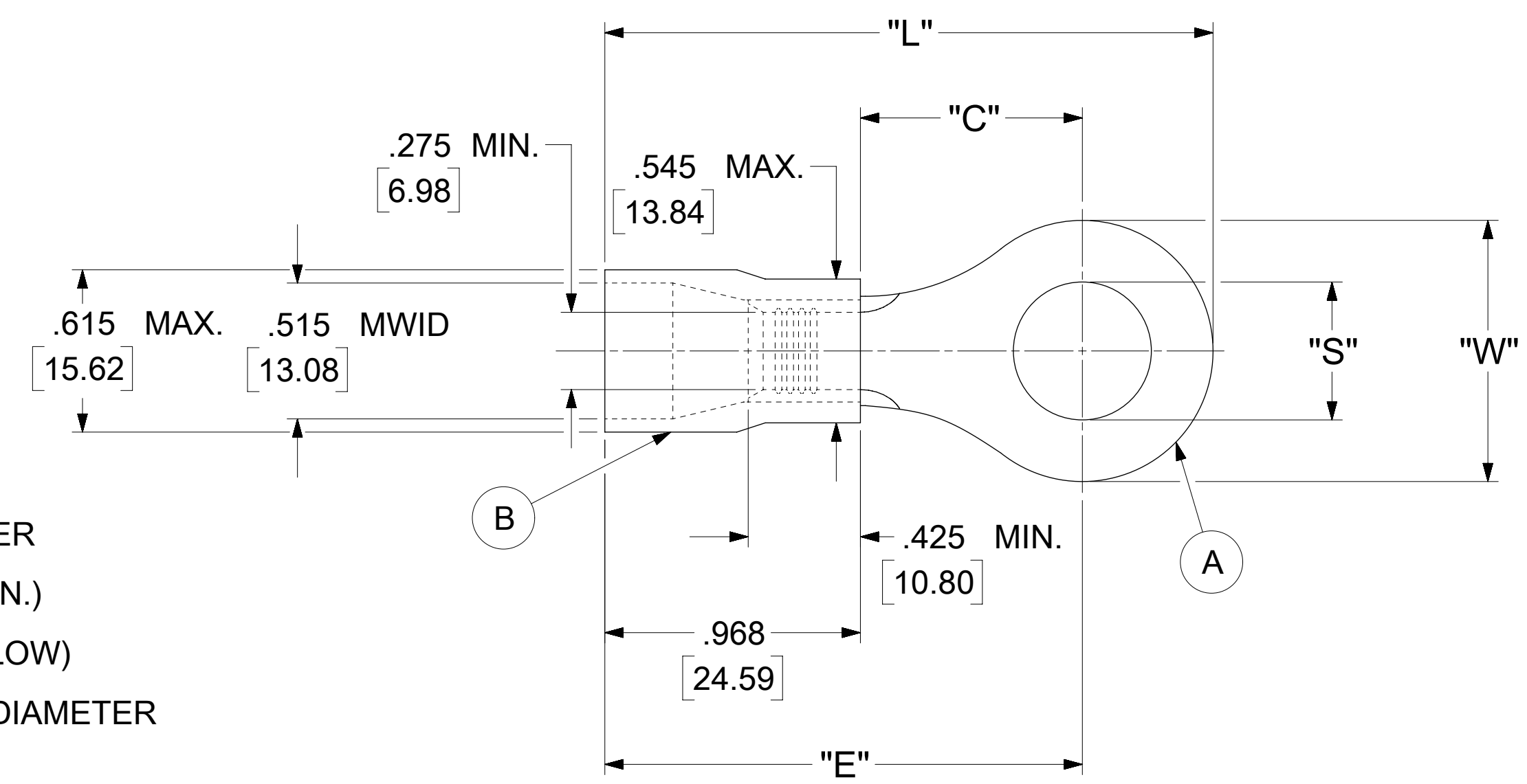
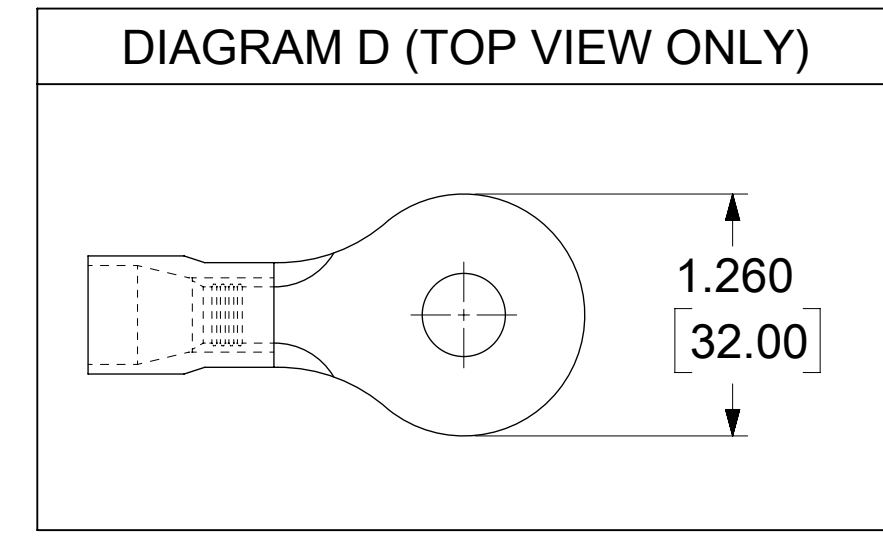
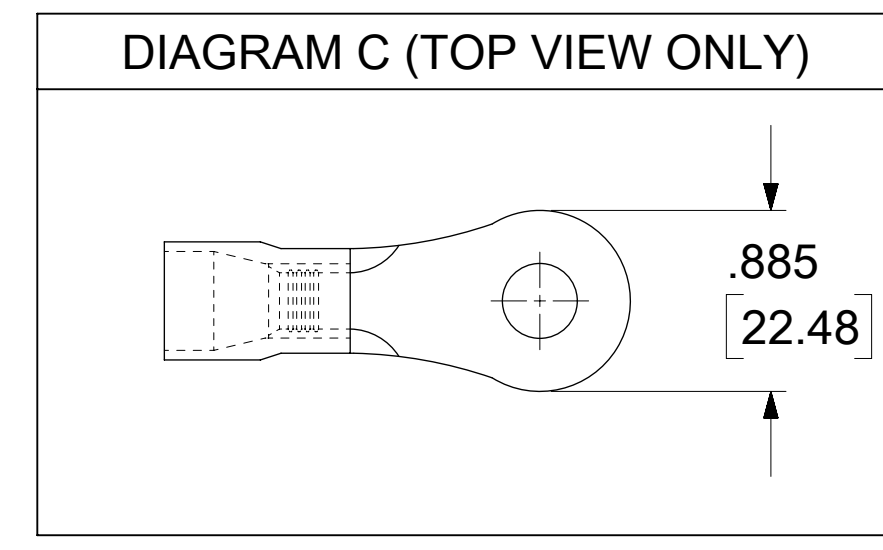
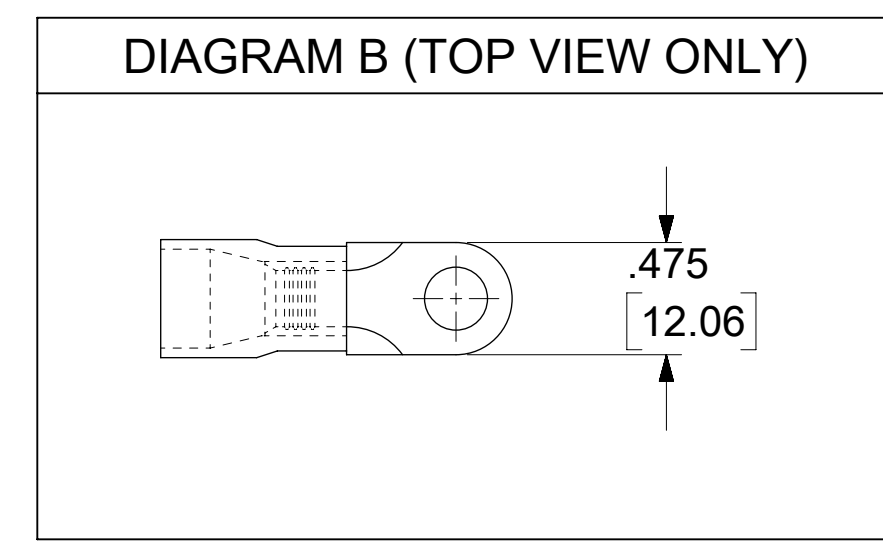
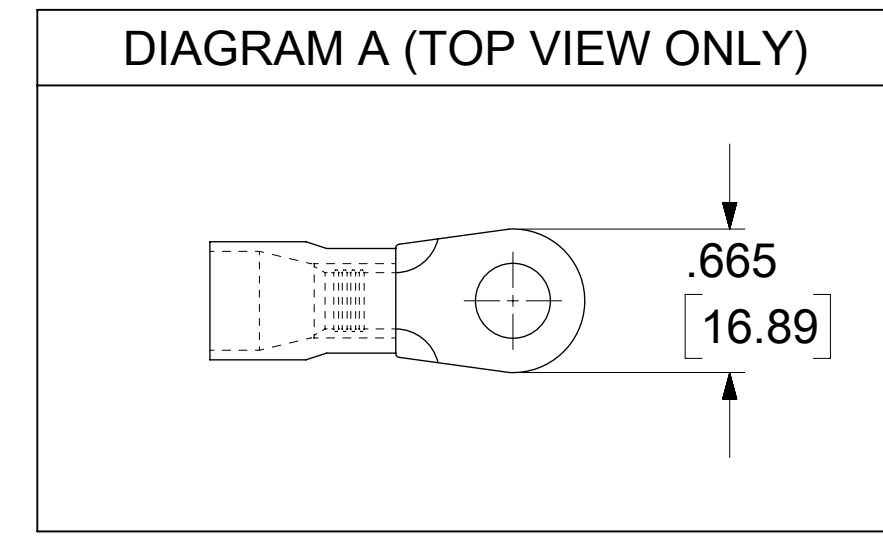


LOOSE PIECE		TAPE MOUNTED		SPECIFICATIONS								
MATERIAL NUMBER	ENGINEERING NUMBER	MATERIAL NUMBER	ENGINEERING NUMBER	STUD SIZE	"S" ±.005 [0.13]	"W" ±.010 [0.25]	"C" MIN.	"E" MAX.	"L" MAX.	"H"	STOCK ±.001 [0.025] THICKNESS	DIAGRAM
190710231	F-666-10X	---	---	10	.198 [5.03]	.665 [16.89]	.520 [13.21]	1.534 [38.96]	1.846 [46.89]	1.200 [30.48]	.067 [1.70]	A
190710234	F-666-12X	---	---	12	.515 [13.08]							
190710237	F-666-14X	---	---	14	.265 [6.73]							
190710240	F-666-38X	190710379	F-666-38XT	38	.390 [9.91]							
190710243	F-666-56X	190710246	F-666-56X	56	.328 [8.33]							
190710247	F-666-76X	---	---	76	.453 [11.51]							
190710250	F-667-10X	190710252	F-667-10XT	10	.198 [5.03]	.475 [12.07]	.520 [13.21]	1.534 [38.96]	1.756 [44.60]	1.200 [30.48]	.067 [1.70]	B
190710253	F-667-14X	190710254	F-667-14XT	14	.265 [6.73]							
---	---	---	---	56	.328 [8.33]							
---	---	---	---	12	.515 [13.08]	.885 [22.48]	.989 [25.12]	2.003 [50.88]	2.412 [61.27]	---	.075 [1.91]	C
---	---	---	---	14	.265 [6.73]							
---	---	---	---	38	.390 [9.91]							
---	---	---	---	56	.328 [8.33]							
---	---	---	---	58	.656 [16.67]							
---	---	---	---	76	.453 [11.51]							
---	---	---	---	12	.515 [13.08]	1.260 [32.00]	.989 [25.12]	2.003 [50.88]	2.599 [66.01]	---	.075 [1.91]	D
---	---	---	---	14	.265 [6.73]							
---	---	---	---	34	.781 [19.84]							
---	---	---	---	38	.390 [9.91]							
---	---	---	---	56	.328 [8.33]							
190710270	F-670-58X	---	---	58	.656 [16.67]	.453 [11.51]						
---	---	---	---	76								

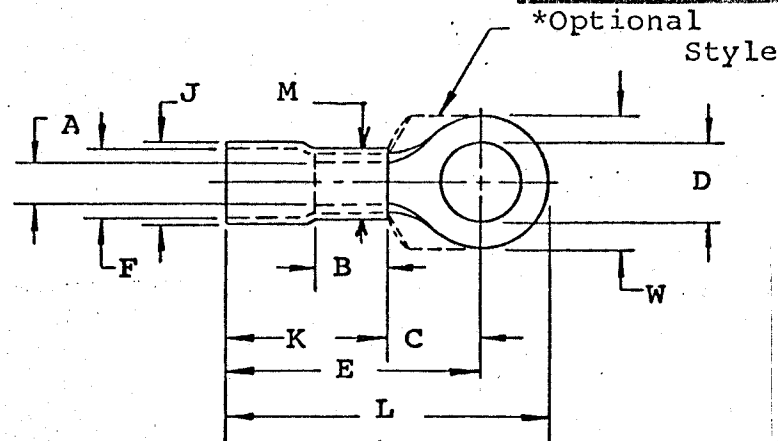


- NOTES:
- MATERIAL:
    - (A). RING TONGUE TERMINAL: COPPER  
PLATING: ELECTRO-TIN (.0003 MIN.)
    - (B). INSULATION: MOLDED PVC (YELLOW)
  - MWID: MAXIMUM WIRE INSULATION DIAMETER
  - WIRE SIZE: 4 AWG  
25 MM<sup>2</sup>
  - "UL" LISTING #E32244  
"CSA" LISTING #18689
  - ALL DIMENSIONS IN INCHES/[MM].
  - PARTS ARE ROHS COMPLIANT.
  - DIMS. SHOWN ARE FOR REFERENCE ONLY.

SYMBOLS	THIS DRAWING CONTAINS INFORMATION THAT IS PROPRIETARY TO MOLEX ELECTRONIC TECHNOLOGIES, LLC AND SHOULD NOT BE USED WITHOUT WRITTEN PERMISSION		CURRENT REV DESC: MIGRATION TO ECTR/NX		<b>molex</b>
	DIMENSION UNITS	SCALE			
▽ = 0	INCH/MM	NTS			RING TONGUE TERMINAL INSULKRIMP
▽ = 0	GENERAL TOLERANCES (UNLESS SPECIFIED)				
▽ = 0		MM	INCH	EC NO: 619818	PRODUCT CUSTOMER DRAWING
▽ = 0	4 PLACES ±	±	±	DRWN: ABENJAMINLW 2019/06/19	
▽ = 0	3 PLACES ±	±	± 0.005	CHK'D: GROJAS01 2019/06/27	DOCUMENT NUMBER
▽ = 0	2 PLACES ±	0.13	± 0.01	APPR: JMACNEIL 2019/07/10	
▽ = 0	1 PLACE ±	0.25	±	INITIAL REVISION:	DOC TYPE
▽ = 0	0 PLACES ±	±	±	DRWN: JTK 1970/01/21	DOC PART
▽ = 0	ANGULAR TOL ± °	±	°	APPR: JMACNEIL 2019/07/10	REVISION
▽ = 0	DRAFT WHERE APPLICABLE MUST REMAIN WITHIN DIMENSIONS	THIRD ANGLE PROJECTION	DRAWING	SERIES	PSD 000 A
▽ = 0			D-SIZE	19071	MATERIAL NUMBER
					SEE TABLE
					CUSTOMER
					GENERAL MARKET
					SHEET NUMBER
					1 OF 1

INSULKRIMP X

MATERIAL: Copper  
 PLATING: Electro-Tin (.0003 Min.)  
 INSULATION: PVC Color Coded Yellow  
 STUD SIZES: ("D" ±.005)



"M" = .545 Maximum

ASSEMBLY IS ROHS COMPLIANT.

Part Number	"W"	"C" Min.	"E" Max.	"K" Max.	"L" Max.	"A" Min. Avg.	"F" (MWID)	THICKNESS REF	"J" Max.	"B" Min.	Available Stud Size
F-666-X	.678 .652	.520	1.534	.968	1.846	.275	.515	.067	.615	.425	10, 14, 56, 38, 76, 12
F-667-X	.485 .465	.520	1.534	.968	1.756	.275	.515	.067	.615	.425	10, 14, 56
F-669-X	.895 .875	.989	2.003	.968	2.412	.275	.515	.075	.615	.425	14, 56, 38, 76, 12, 58
F-670-X	1.270 1.250	.989	2.003	.968	2.599	.275	.515	.075	.615	.425	14, 56, 38, 76, 12, 58, 34

NOTE: (MWID) denotes maximum wire insulation diameter.



TITLE: CUSTOMER DRAWING  
 #4 WIRE-RANGE (F)  
 RING TONGUE TERMINAL

DIMENSIONAL TOLERANCE  
 UNLESS OTHERWISE SPECIFIED

FRAC.	DEC.	ANG.
±	±	±

REVISION		SCALE: _____	DATE
A	ETC2007-0019	DRWN. BY: JTK	1-21-70
		CHKD. BY:	
		APPRD. BY:	
		DRAWING NO.:	