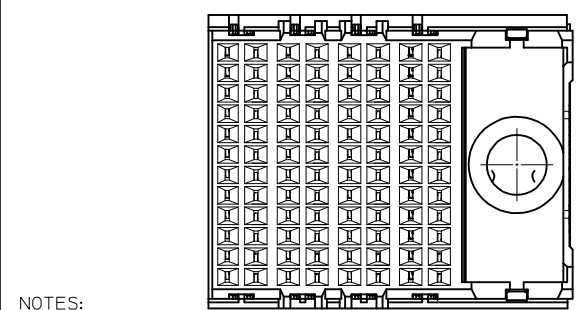
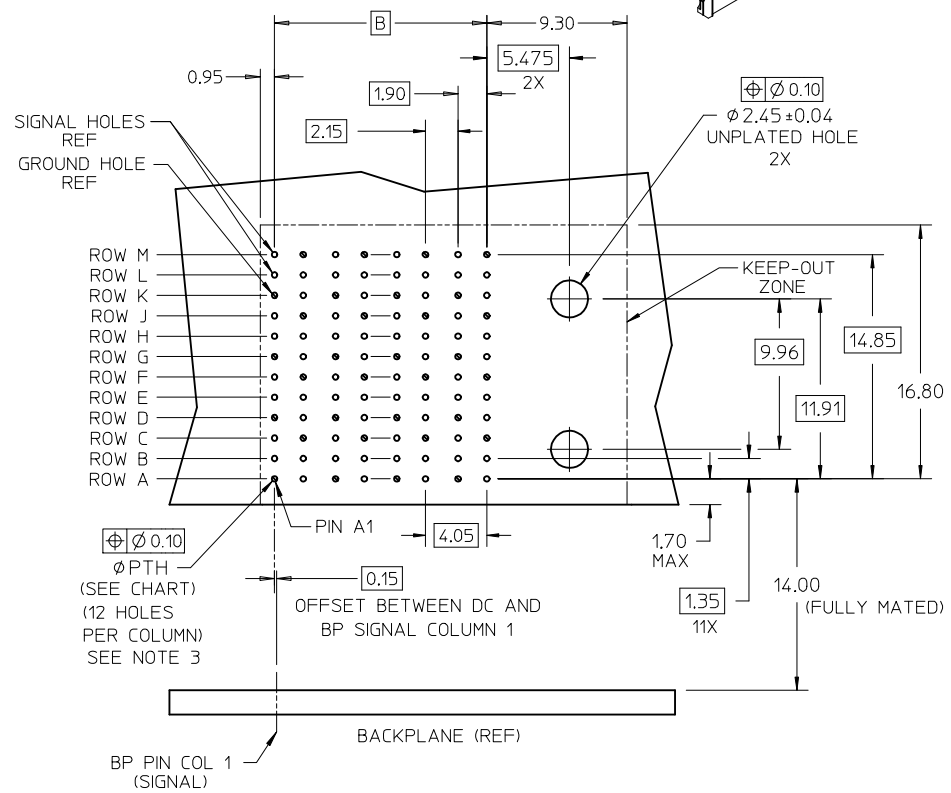
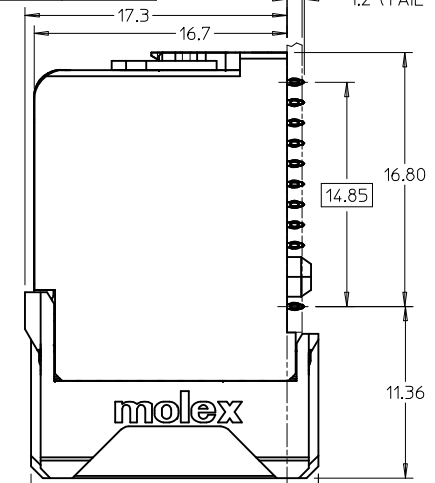
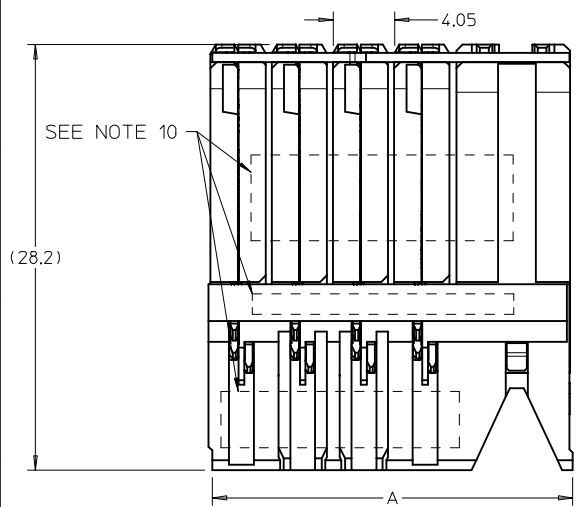
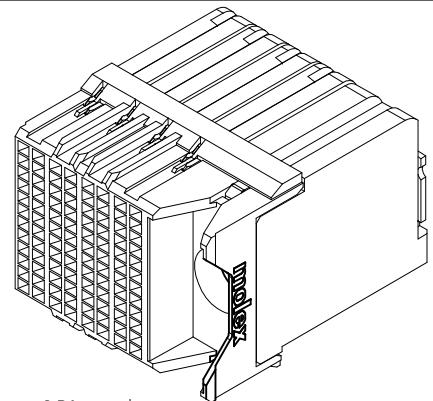


MATERIAL NUMBER	# OF COLUMNS	# OF DIFF PAIR	DIM "A" MAX	DIM "B"	PTH $\phi$
76850-5006	6	24	20.25	10.00	0.46 $\pm$ 0.05
76850-5036	6	24	20.25	10.00	0.39 $\pm$ 0.05
76850-5008	8	32	24.30	14.05	0.46 $\pm$ 0.05
76850-5038	8	32	24.30	14.05	0.39 $\pm$ 0.05
76850-5010	10	40	28.35	18.10	0.46 $\pm$ 0.05
76850-5020	10	40	28.35	18.10	0.39 $\pm$ 0.05

76850-**\*0\*\***

MODULE & TAIL PLATING TYPE  
5 = RIGHT GUIDED, LEAD-FREE

# OF COLUMNS  
06 = 6 COL 0.46 PTH  
36 = 6 COL 0.39 PTH  
08 = 8 COL 0.46 PTH  
38 = 8 COL 0.39 PTH  
10 = 10 COL 0.46 PTH  
20 = 10 COL 0.39 PTH



- NOTES:
- MATERIALS: HOUSING - LIQUID CRYSTAL POLYMER (LCP), GLASS-FILLED, UL94V-0 TERMINALS - HIGH PERFORMANCE COPPER ALLOY
  - FINISH: 30 $\mu$ IN MIN GOLD IN CONTACT AREA. SELECTIVE TIN ON PCB TAILS. NICKEL OVERALL.
  - REFER TO MOLEX PRODUCT SPEC PS-76060-999 FOR PERFORMANCE SPECIFICATIONS AND ADDITIONAL PCB INFORMATION.
  - EACH SIGNAL WAFER CONTAINS 2 COLUMNS OF TERMINALS.
  - PRODUCT IS PACKAGED PER PK-70873-610.
  - THIS PART CONFORMS TO CLASS B REQUIREMENTS OF COSMETIC SPEC PS-45499-002.
  - REFER TO MOLEX SALES DRAWING SD-76845-003 FOR THE MATING HEADERS.
  - WHEN USING MOLEX SUPPLIED #2-32 SCREW 73726-0000 (9.50mm  $\pm$ 0.38 THREADABLE SCREW LENGTH), THE MAXIMUM BOARD THICKNESS IS 4.4mm.
  - REFER TO MOLEX ROUTING GUIDE AS-76850-990 FOR ADDITIONAL PCB LAYOUT AND ROUTING RECOMMENDATIONS.
  - MARKING: LOCATED APPROXIMATELY AS SHOWN. PART NUMBER AND DATE CODE.

<b>ADD LASER MARK INFO</b> EC NO: UCP2016-3973 DRWNG:VARVARA 2015/07/29 CHKD:TELO 2016/02/22 APPR:TELO 2016/04/20	<b>QUALITY SYMBOLS</b> ▽=0 ▽=0	<b>GENERAL TOLERANCES (UNLESS SPECIFIED)</b> <table border="1"> <tr> <th></th> <th>mm</th> <th>INCH</th> </tr> <tr> <td>4 PLACES</td> <td><math>\pm</math>---</td> <td><math>\pm</math>---</td> </tr> <tr> <td>3 PLACES</td> <td><math>\pm</math>---</td> <td><math>\pm</math>---</td> </tr> <tr> <td>2 PLACES</td> <td><math>\pm</math>0.15</td> <td><math>\pm</math>---</td> </tr> <tr> <td>1 PLACE</td> <td><math>\pm</math>0.25</td> <td><math>\pm</math>---</td> </tr> </table>		mm	INCH	4 PLACES	$\pm$ ---	$\pm$ ---	3 PLACES	$\pm$ ---	$\pm$ ---	2 PLACES	$\pm$ 0.15	$\pm$ ---	1 PLACE	$\pm$ 0.25	$\pm$ ---	<b>DIMENSION STYLE</b> <b>MM ONLY</b>	<b>SCALE</b> <b>4:1</b>	<b>DESIGN UNITS</b> <b>METRIC</b>	<b>THIRD ANGLE PROJECTION</b>
			mm	INCH																	
		4 PLACES	$\pm$ ---	$\pm$ ---																	
3 PLACES	$\pm$ ---	$\pm$ ---																			
2 PLACES	$\pm$ 0.15	$\pm$ ---																			
1 PLACE	$\pm$ 0.25	$\pm$ ---																			
<b>DRAFT WHERE APPLICABLE MUST REMAIN WITHIN DIMENSIONS</b>	<b>SEE CHART</b>	<b>MOLEX INCORPORATED</b>	<b>IMPACT DAUGHTERCARD 4 PAIR ORTHOGONAL GUIDE RIGHT SALES DWG</b>	<b>DOCUMENT NO.</b> SD-76850-004	<b>SHEET NO.</b> 1 OF 1																
THIS DRAWING CONTAINS INFORMATION THAT IS PROPRIETARY TO MOLEX INCORPORATED AND SHOULD NOT BE USED WITHOUT WRITTEN PERMISSION																					