

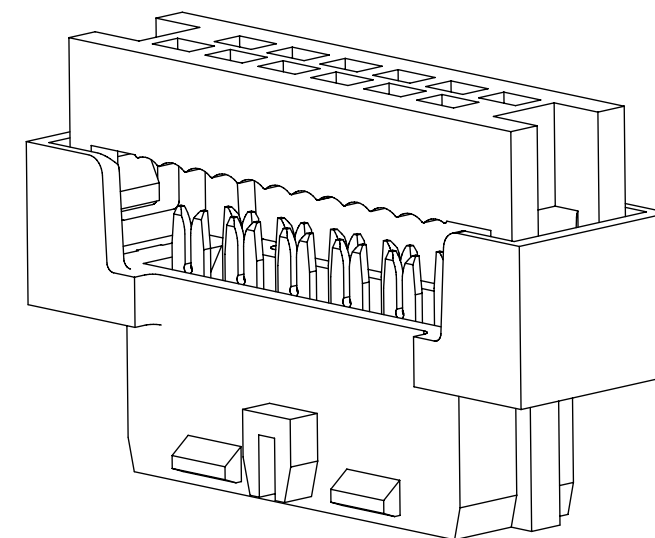
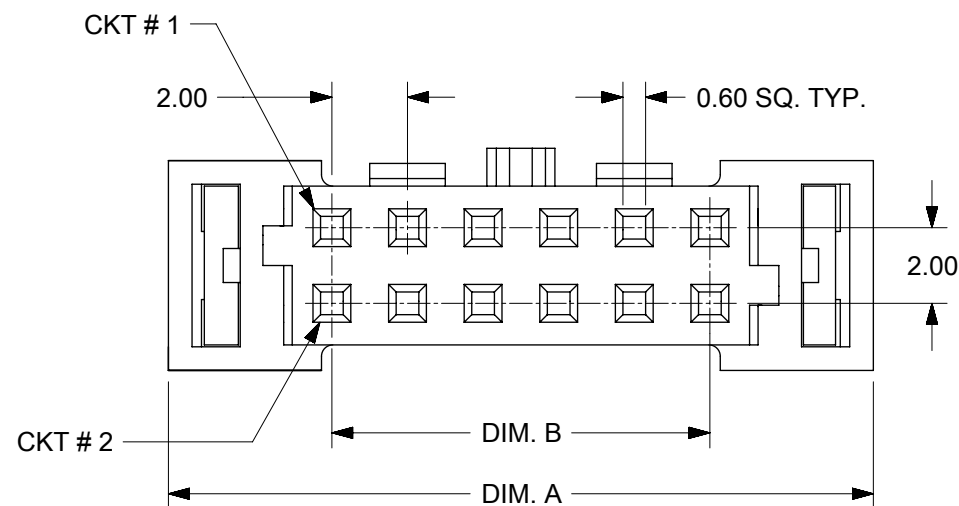
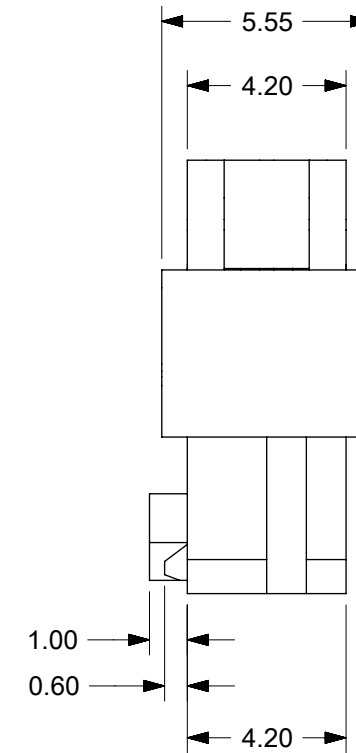
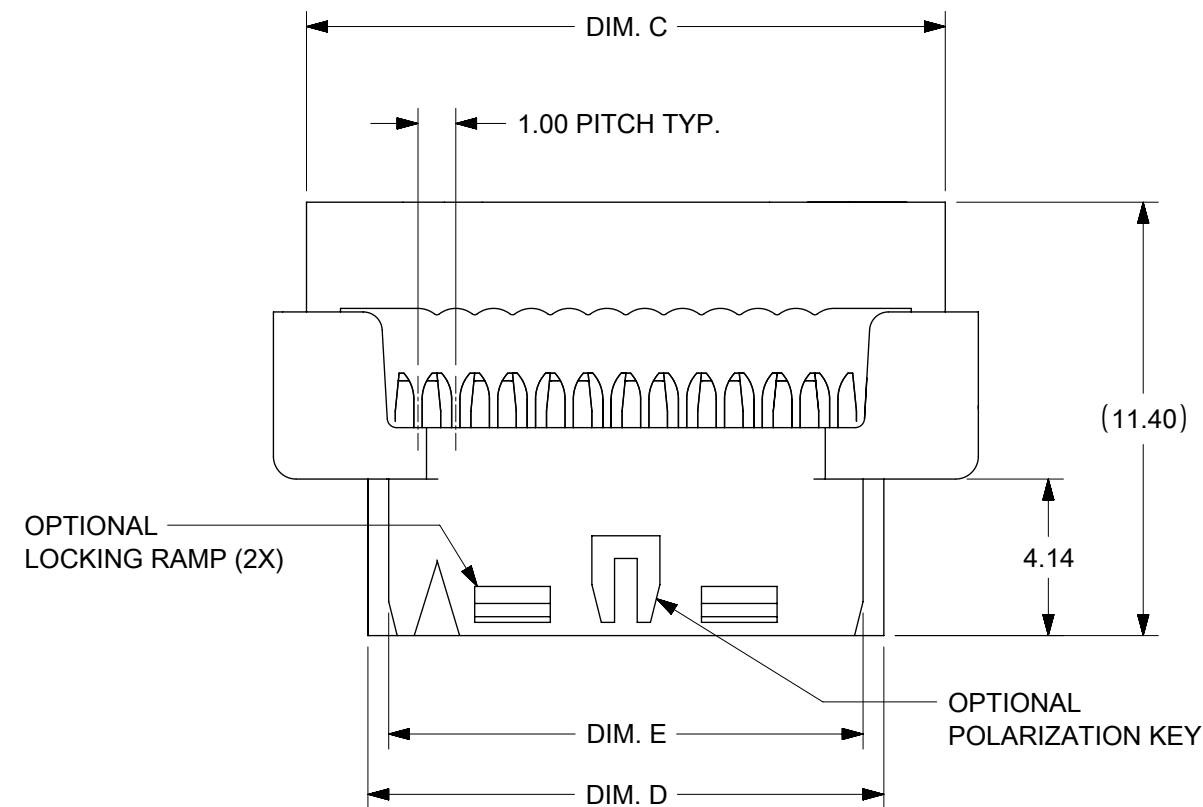
E

D

C

B

A



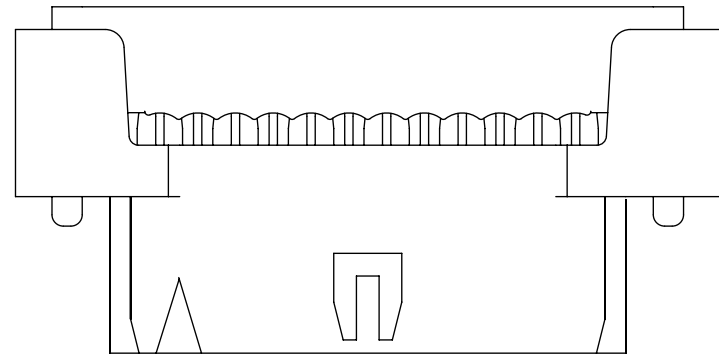
1. MATERIALS:
HOUSING - PBT. GLASS FILLED UL94V-0 BLACK
TERMINAL - COPPER ALLOY
2. FINISHES
PLATING 3 - 15µin (0.38µm) SELECTIVE GOLD IN CONTACT AREA
AND 75µin (1.88µm) TIN IN IDT AREA OVER 50µin (1.25µm)
NICKEL OVERALL.
PLATING 4 - 30µin (0.76µm) SELECTIVE GOLD IN CONTACT AREA
AND 75µin (1.88µm) TIN IN IDT AREA OVER 50µin (1.25µm)
NICKEL OVERALL.
PLATING 5 - 2µin (0.05µm) SELECTIVE GOLD IN CONTACT AREA
AND 75µin (1.88µm) TIN IN IDT AREA OVER 50µin (1.25µm)
NICKEL OVERALL.
3. PRODUCT SPEC PS-87568-004 APPLIES.
4. FOR ILLUSTRATION PURPOSES, 12 CKT IS SHOWN.
5. PART MATES WITH ALL MILLIGRID HEADERS WITH MATING LENGTH
BETWEEN 2.50mm AND 4.20mm.
6. PART IS DESIGNED FOR 1.00mm PITCH FLAT CABLE, 7 STRANDS,
AWG #28, UL2651 AND UL2678.
7. ALL OTHER CIRCUIT SIZES, CONTACT FACTORY.
8. STRAIN RELIEF TO BE PURCHASED SEPERATELY.
REFER TO SD-87569-008.
9. PACKAGING SPECIFICATION :PK-87568-0001.

THIS DRAWING CONTAINS INFORMATION THAT IS PROPRIETARY TO MOLEX ELECTRONIC TECHNOLOGIES, LLC AND SHOULD NOT BE USED WITHOUT WRITTEN PERMISSION

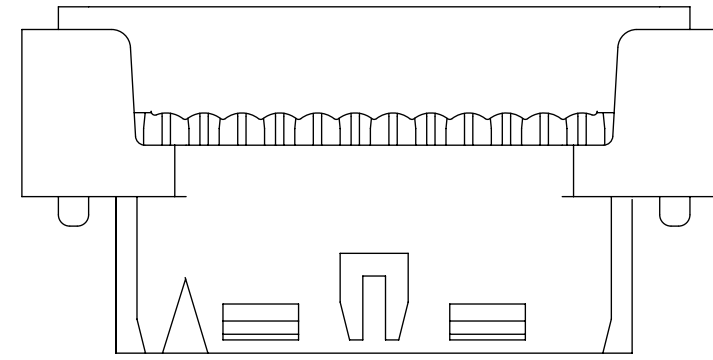
MIGRATED TO ECTR	2017/12/05	GENERAL TOLERANCES (UNLESS SPECIFIED)		DIMENSION UNITS	SCALE	molex MGRID 2MM DUAL ROW IDT RECEPTACLE		
	2018/02/12	MM	INCH	MM	NTS			
	2018/02/13	4 PLACES ±	±	DRWN BY	DATE	PRODUCT CUSTOMER DRAWING		
	EC NO: 170269	3 PLACES ±	±	AGARWAL	1997/08/05			
	DRWN: GGUNAGI	2 PLACES ±	0.15	±	CHK'D BY	DATE	SERIES: 87568 MATERIAL NUMBER: SEE TABLE CUSTOMER: GENERAL MARKET	
CHK'D: CD	1 PLACES ±	±	±	SQUEK	1997/09/03			
REV APPR: GGA	0 PLACES ±	±	±	APPR BY	DATE	DOCUMENT NUMBER: SD-87568-003 DOC TYPE: PSD DOC PART: 001 SHEET NUMBER: 1 OF 3		
H4	ANGULAR TOL = 3.0		DRAWING SIZE	THIRD ANGLE PROJECTION	MLONG 2009/11/13			
	DRAFT WHERE APPLICABLE MUST REMAIN WITHIN DIMENSIONS		A3					

RELEASE STATUS	P1	RELEASE DATE	2018/02/13	08:38:38
----------------	----	--------------	------------	----------

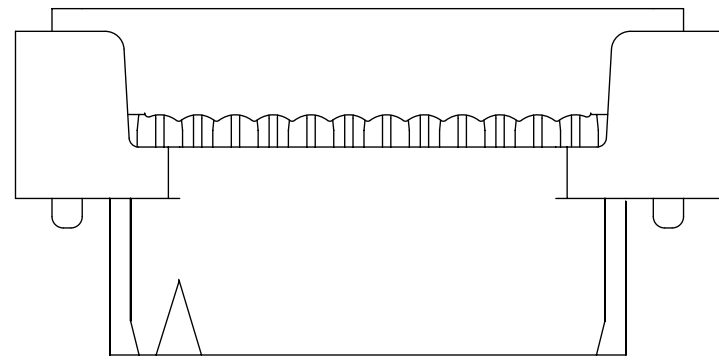
ENGINEERING NUMBER	CKT. SIZE	A	B	C	D	E
87568-10**	10	16.65	8.00	14.90	11.65	10.55
87568-12**	12	18.65	10.00	16.90	13.65	12.55
87568-14**	14	20.65	12.00	18.90	15.65	14.55
87568-16**	16	22.65	14.00	20.90	17.65	16.55
87568-20**	20	26.65	18.00	24.90	21.65	20.55
87568-22**	22	28.65	20.00	26.90	23.65	22.55
87568-24**	24	30.65	22.00	28.90	25.65	24.55
87568-26**	26	32.65	24.00	30.90	27.65	26.55
87568-30**	30	36.65	28.00	34.90	31.65	30.55
87568-32**	32	38.65	30.00	36.90	33.65	32.55
87568-34**	34	40.65	32.00	38.90	35.65	34.55
87568-36**	36	42.65	34.00	40.90	37.65	36.55
87568-40**	40	46.65	38.00	44.90	41.65	40.55
87568-44**	44	50.65	42.00	48.90	45.65	44.55
87568-50**	50	56.65	48.00	54.90	51.65	50.55



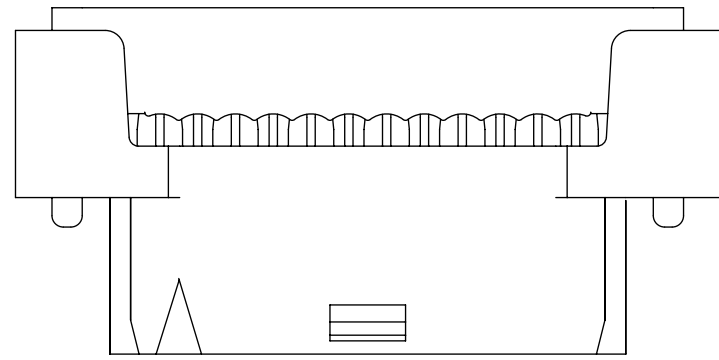
87568-**4*
POLARIZATION ONLY
(APPLICABLE FOR 14 TO 50CKT)



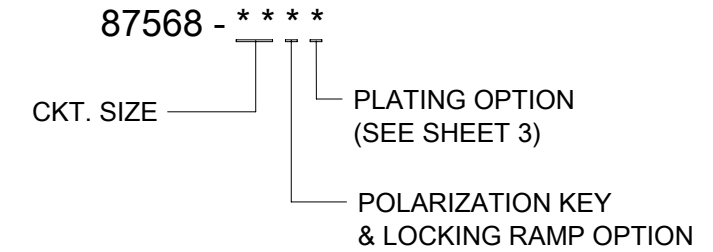
87568-**9*
POLARIZATION AND RAMP LOCKING
(APPLICABLE FOR 14 TO 50 CKT)



87568-**6*
NO POLARIZATION/RAMP FEATURE
(APPLICABLE FOR 10 TO 50 CKT)



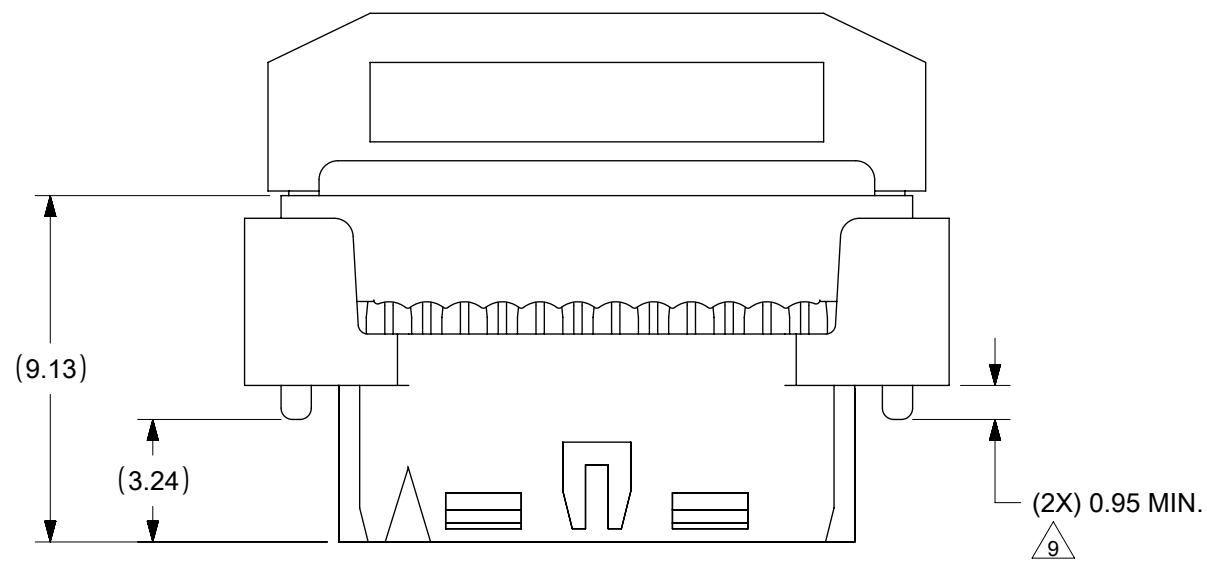
87568-**7*
SINGLE RAMP LOCKING ONLY
(APPLICABLE FOR 10 TO 12 CKT)



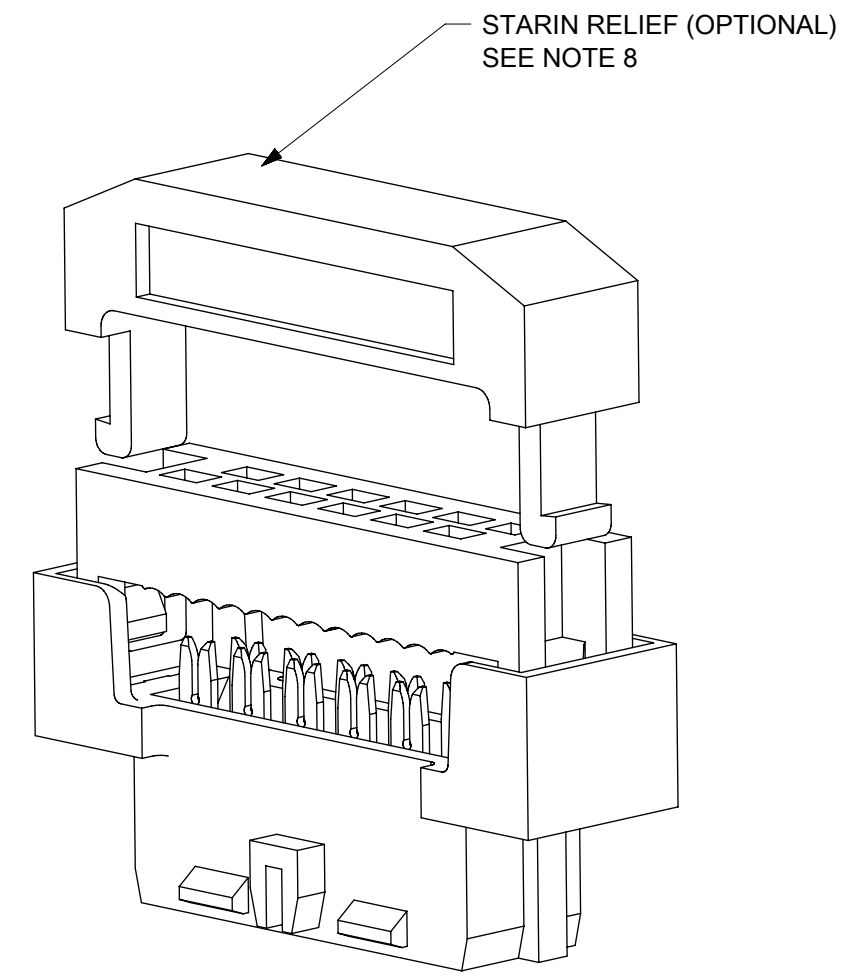
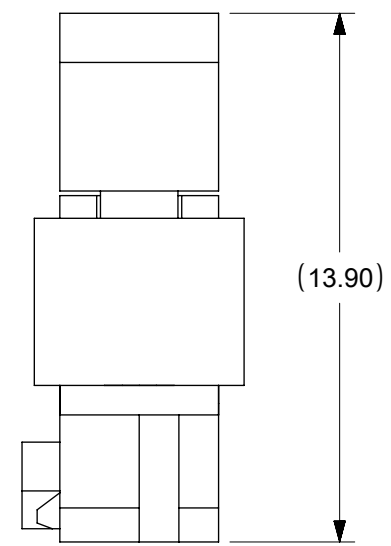
- 4 - WITH POLARIZATION ONLY FOR 14-50 CKT
- 6 - WITHOUT POLARIZATION AND RAMP LOCKING
- 7 - WITH SINGLE RAMP LOCKING ONLY FOR 10 & 12 CKT
- 9 - WITH POLARIZATION AND RAMP LOCKING 14 - 50 CKT
- 10-12 CIRCUIT SIZE HAS ONLY ONE RAMP FOR LOCKING (OPTIONAL)
- 14-50 CIRCUIT SIZE HAS BOTH POLARIZATION AND RAMP LOCKING (OPTIONAL)

THIS DRAWING CONTAINS INFORMATION THAT IS PROPRIETARY TO MOLEX ELECTRONIC TECHNOLOGIES, LLC AND SHOULD NOT BE USED WITHOUT WRITTEN PERMISSION

MIGRATED TO ECTR EC NO: 170269 DRWN: GGUNAGI CHK'D: CD REV APPR: GGA	GENERAL TOLERANCES (UNLESS SPECIFIED)		DIMENSION UNITS	SCALE			
			MM	NTS			
	4 PLACES	±	±	DRWN BY	DATE	MGRID 2MM DUAL ROW IDT RECEPTACLE	
	3 PLACES	±	±	AGARWAL	1997/08/05		
	2 PLACES	± 0.15	±	CHK'D BY	DATE	PRODUCT CUSTOMER DRAWING	
1 PLACES	±	±	SQUEK	1997/09/03			
0 PLACES	±	±	APPR BY	DATE	SERIES: 87568 MATERIAL NUMBER: SEE TABLE CUSTOMER: GENERAL MARKET		
			MLONG	2009/11/13			
	ANGULAR TOL = 3.0		DRAWING SIZE	THIRD ANGLE PROJECTION	DOCUMENT NUMBER: SD-87568-003 DOC TYPE: PSD DOC PART: 001 SHEET NUMBER: 2 OF 3		
	DRAFT WHERE APPLICABLE MUST REMAIN WITHIN DIMENSIONS		A3				



CABLE LOADED ASSEMBLY WITH STRAIN RELIEF



3D VIEW (12 CKT SHOWN FOR ILLUSTRATION ONLY)

NOTES

1 THIS DIMENSION IS TO ENSURE GOOD CABLE TERMINATION.

THIS DRAWING CONTAINS INFORMATION THAT IS PROPRIETARY TO MOLEX ELECTRONIC TECHNOLOGIES, LLC AND SHOULD NOT BE USED WITHOUT WRITTEN PERMISSION

MIGRATED TO ECTR EC NO: 170269 DRWN: GGUNAGI CHK'D: CD REV APPR: GGA	GENERAL TOLERANCES (UNLESS SPECIFIED)		DIMENSION UNITS		SCALE					
			MM	INCH	MM	NTS				
	4 PLACES	±		±	DRWN BY	DATE	MGRID 2MM DUAL ROW IDT RECEPTACLE			
	3 PLACES	±		±	AGARWAL	1997/08/05				
	2 PLACES	±	0.15	±	CHK'D BY	DATE				
	1 PLACES	±		±	SQUEK	1997/09/03	PRODUCT CUSTOMER DRAWING			
0 PLACES	±		±	APPR BY	DATE					
ANGULAR TOL = 3.0		DRAWING SIZE		THIRD ANGLE PROJECTION		SERIES	MATERIAL NUMBER	CUSTOMER		
DRAFT WHERE APPLICABLE MUST REMAIN WITHIN DIMENSIONS		A3				87568	SEE TABLE	GENERAL MARKET		
						DOCUMENT NUMBER		DOC TYPE	DOC PART	SHEET NUMBER
						SD-87568-003		PSD	001	3 OF 3