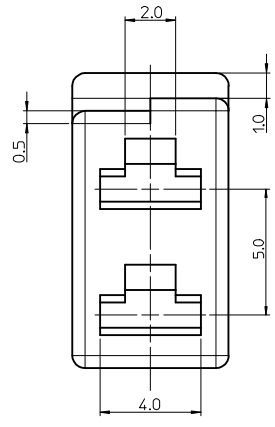
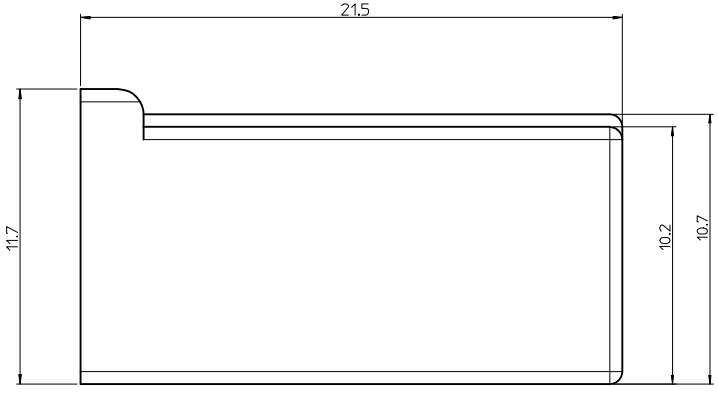
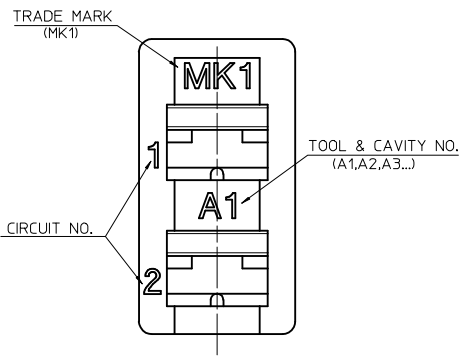
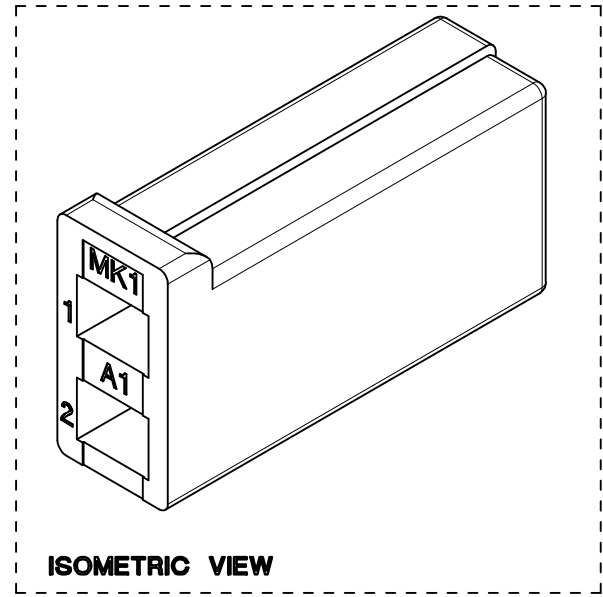
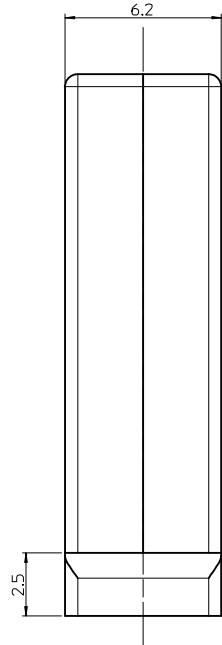


10 9 8 7 6 5 4 3 2 1



NOTES.

1. MATERIALS: POLYAMIDE66 (PA66), UNFILLED, COLOR OF WHITE, UL94V-0
2. PRODUCT SPECIFICATION: PS-36112-001
3. PACKAGING SPECIFICATION: PK-35112-001
4. APPLICABLE TERMINAL: 35711-06*0

REVISED EC NO: KOR2013-0085 DRWN:SKCHO 2013/04/15 CHKD:SHCHU 2013/04/15 APPR:YSK1M02 2013/04/25 A1	QUALITY SYMBOLS	GENERAL TOLERANCES (UNLESS SPECIFIED)	DIMENSION STYLE	SCALE	DESIGN UNITS	THIRD ANGLE PROJECTION
	$\nabla=0$ $\sphericalangle=0$	mm INCH 4 PLACES ± --- ± --- 3 PLACES ± --- ± --- 2 PLACES ± 0.15 ± --- 1 PLACE ± 0.20 ± --- 0 PLACE ± --- ± ---	MM ONLY	5:1	METRIC	
	ANGULAR ± 1 ° DRAFT WHERE APPLICABLE MUST REMAIN WITHIN DIMENSIONS	DRAWN BY JS.KANG DATE 1993/11/08 CHECKED BY BK.CH01 DATE 1993/11/08 APPROVED BY YSK1M02 DATE 2013/04/25	TITLE	DOOR SWITCH CONN. -2P HOUSING		
		MATERIAL NO. 351120210	DOCUMENT NO. SD-35112-001	SHEET NO. 1 OF 1 THIS DRAWING CONTAINS INFORMATION THAT IS PROPRIETARY TO MOLEX INCORPORATED AND SHOULD NOT BE USED WITHOUT WRITTEN PERMISSION		

9 8 7 6 5 4 3 2 1