

- 注記
NOTES
- 材質
ハウジング：耐熱性ナイロンUL94V-0
ピン：銅合金、ニッケル下地、錫メッキ、金メッキ
フィッティングネール：銅合金、ニッケル下地、錫メッキ
MATERIAL
HOUSING:POLYAMIDE UL94V-0
PIN: COPPER ALLOY, GOLD OR TIN OVER NICKEL PLATE.
FITTING NAIL: COPPER ALLOY, TIN OVER NICKEL PLATE.
 - 色：ナチュラル、黒、赤、青
COLOR:NATURAL, BLACK, RED, BLUE
 - 嵌合相手
ハウジング：502351-**0*
錫メッキ端子：50212-8*00,50372-8*00,560085-0101
金メッキ端子：56161-8*81
MATES WITH
HOUSING:502351-**0*
SN PLATING TERMINAL:50212-8*00,50372-8*00,560085-0101
AU PLATING TERMINAL:56161-8*81
 - エンボス梱包品の詳細はSD-502352-002参照
DETAILED TAPING PACKAGE, SEE SD-502352-002.
 - ELV及びRoHS適合
ELV AND RoHS COMPLIANT
 - 半田付け面のコプラナリティ：0.1mm MAX.
CO-PLANARITY OF SOLDERING TAILS TO BE 0.1mm MAX.

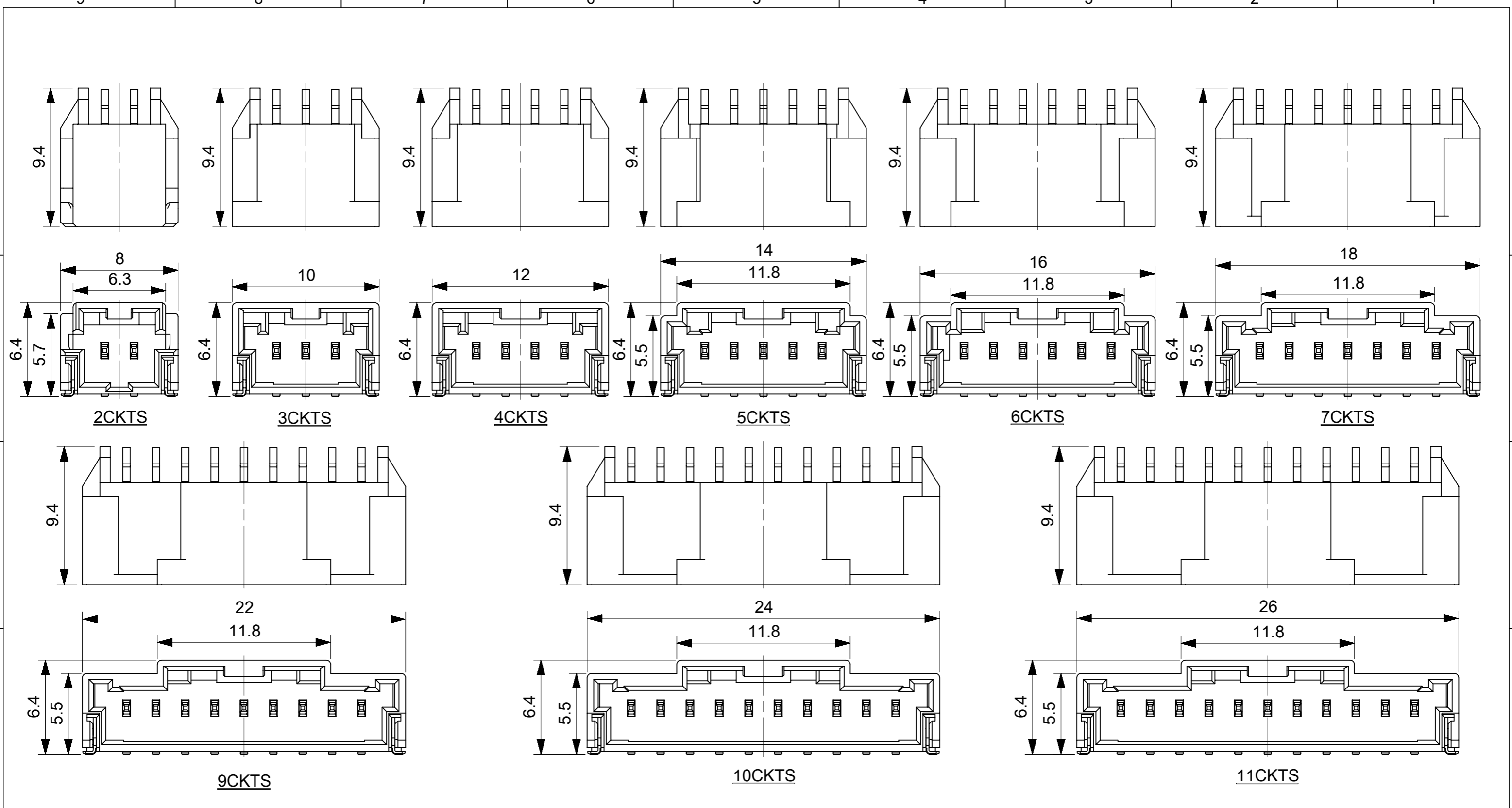
- 7.一般公差
GENERAL TOLERANCES
10 UNDER: 0.2
10 OVER 30 UNDER:0.25
30 OVER: 0.3
ANGULAR: ±3°

DOCUMENT STATUS	P1	RELEASE DATE	2018/12/07	08:35:17
-----------------	----	--------------	------------	----------

INITIAL REVISION:

DRWN	SHSHIBATA	2007/12/18
CHECK	HKOMATSU	2007/12/18
APPR	AKANESHIGE	2007/12/18

THIS DRAWING CONTAINS INFORMATION THAT IS PROPRIETARY TO MOLEX ELECTRONIC TECHNOLOGIES, LLC AND SHOULD NOT BE USED WITHOUT WRITTEN PERMISSION		CURRENT REV DESC:		molex	
DIMENSION UNITS	SCALE	EC NO: 608817			
mm	5:1	DRWN: MSATO08 2018/12/07		2.0MM PITCH W/B CONN. WAFER ASSY R/A SMT	
GENERAL TOLERANCES (UNLESS SPECIFIED)		CHK'D: HKOMATSU 2018/12/07		PRODUCT CUSTOMER DRAWING	
ANGULAR TOL ± °		APPR: TOSADA 2018/12/07		DOCUMENT NUMBER	
4 PLACES ±		INITIAL REVISION:		SD-502352-001	
3 PLACES ±		DRWN: SHSHIBATA 2008/01/23		DOC TYPE	
2 PLACES ±		APPR: AKANESHIGE 2008/04/23		PSD	
1 PLACE ±		SERIES		001	
0 PLACES ±		MATERIAL NUMBER		L2	
DRAFT WHERE APPLICABLE MUST REMAIN WITHIN DIMENSIONS		THIRD ANGLE PROJECTION		CUSTOMER	
		DRAWING		GENERAL MARKET	
		A3-SIZE		SHEET NUMBER	
		502352		1 OF 4	

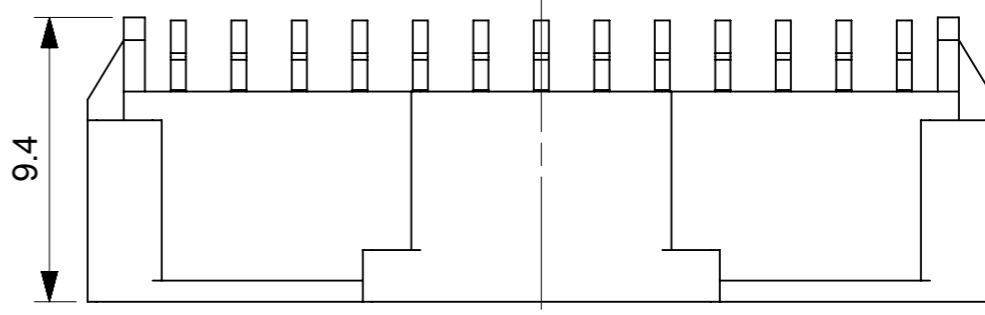
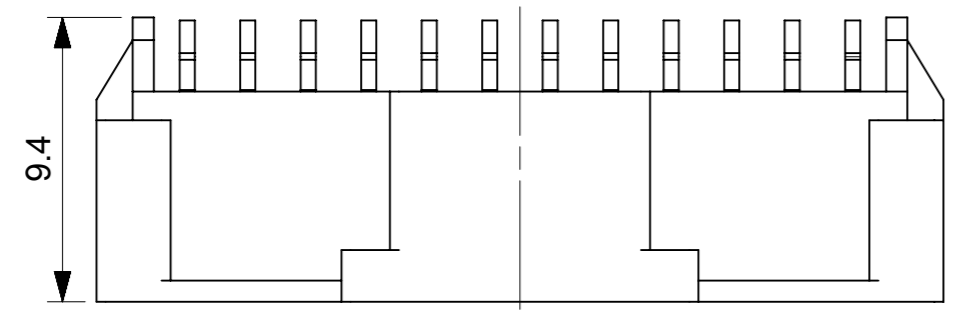


THIS DRAWING CONTAINS INFORMATION THAT IS PROPRIETARY TO MOLEX ELECTRONIC TECHNOLOGIES, LLC AND SHOULD NOT BE USED WITHOUT WRITTEN PERMISSION		CURRENT REV DESC:		molex	
DIMENSION UNITS	SCALE	EC NO: 608817			
mm	4:1	DRWN: MSATO08 2018/12/07		2.0MM PITCH W/B CONN. WAFER ASSY R/A SMT	
GENERAL TOLERANCES (UNLESS SPECIFIED)		CHK'D: HKOMATSU 2018/12/07		PRODUCT CUSTOMER DRAWING	
ANGULAR TOL	±	APPR: TOSADA 2018/12/07		DOCUMENT NUMBER	
4 PLACES	±	INITIAL REVISION:		SD-502352-001	
3 PLACES	±	DRWN: SHSHIBATA 2008/01/23		DOC TYPE	
2 PLACES	±	APPR: AKANESHIGE 2008/04/23		PSD	
1 PLACE	±	DRAFT WHERE APPLICABLE		DOC PART	
0 PLACES	±	THIRD ANGLE PROJECTION		001	
MUST REMAIN WITHIN DIMENSIONS		DRAWING		REVISION	
		A3-SIZE		L2	
		SERIES		SHEET NUMBER	
		502352		2 OF 4	
		MATERIAL NUMBER		CUSTOMER	
		SEE CHART		GENERAL MARKET	

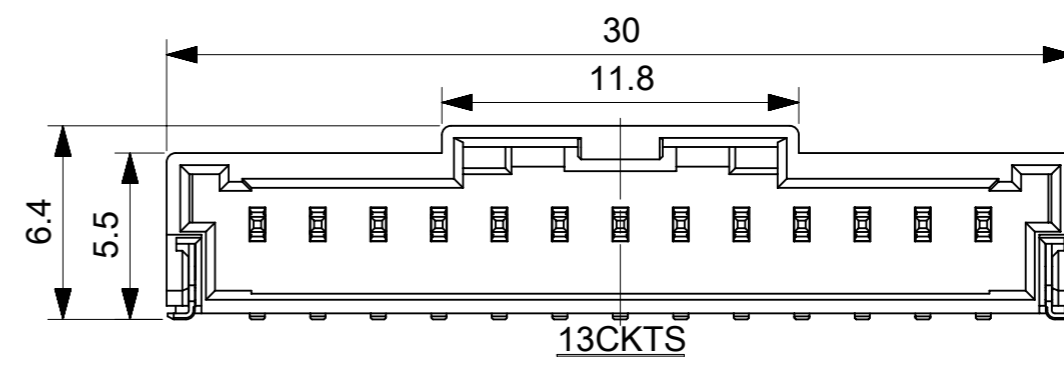
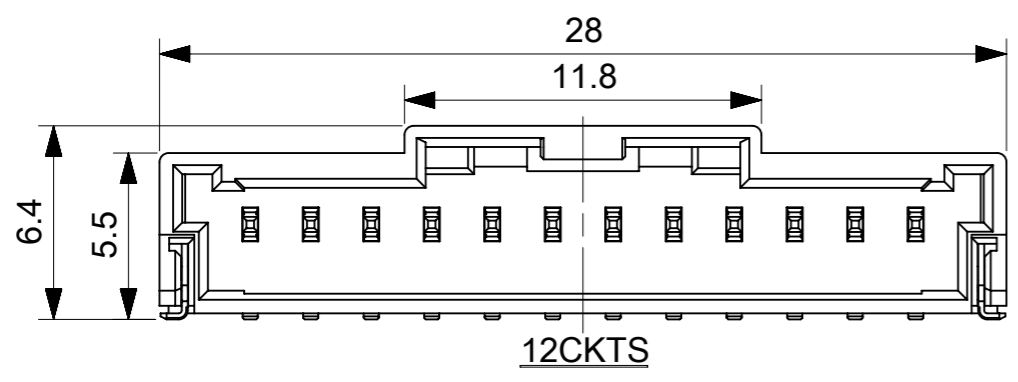
INITIAL REVISION:		
DRWN	SHSHIBATA	2007/12/18
CHECK	HKOMATSU	2007/12/18
APPR	AKANESHIGE	2007/12/18

9 8 7 6 5 4 3 2 1

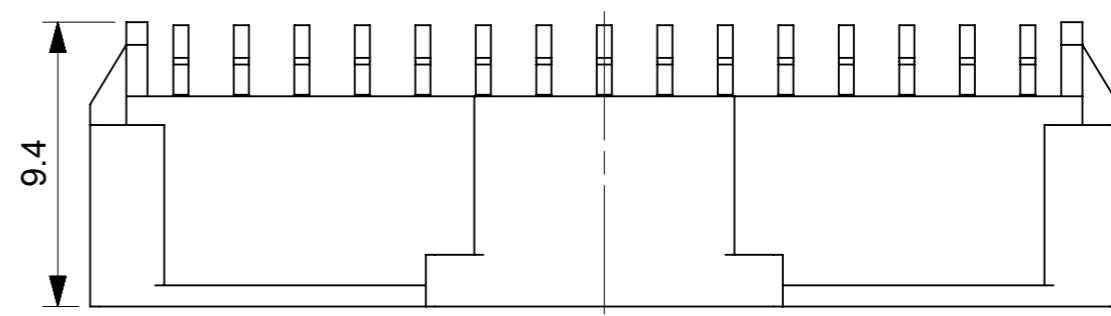
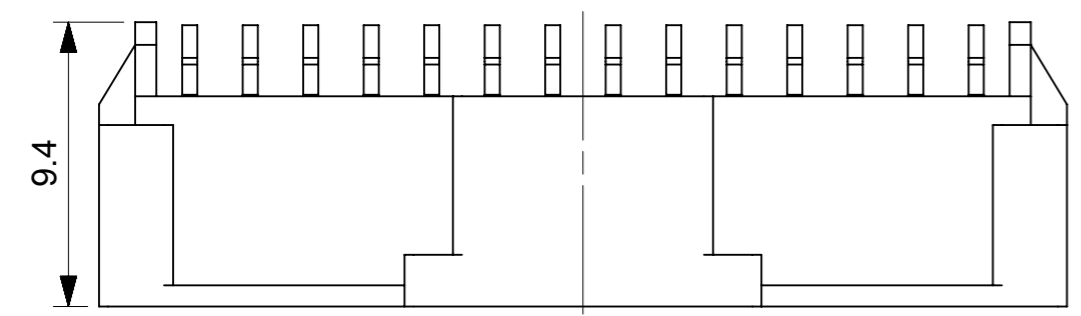
E



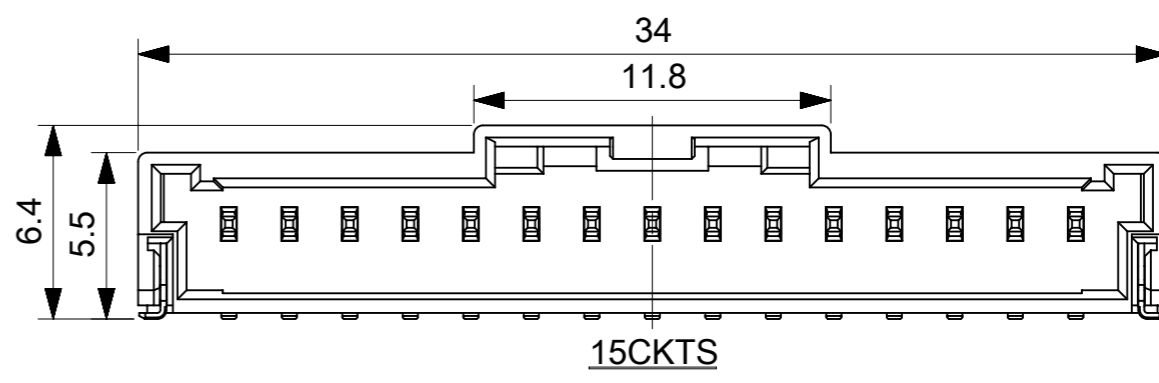
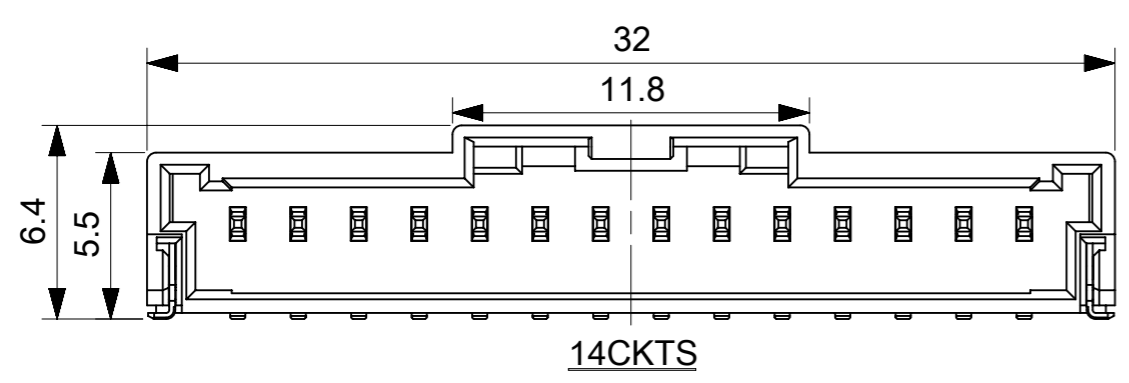
D



C



B



A

THIS DRAWING CONTAINS INFORMATION THAT IS PROPRIETARY TO MOLEX ELECTRONIC TECHNOLOGIES, LLC AND SHOULD NOT BE USED WITHOUT WRITTEN PERMISSION		CURRENT REV DESC:		molex	
DIMENSION UNITS	SCALE	EC NO: 608817			
mm	4:1	DRWN: MSATO08 2018/12/07		WAFER ASSY R/A SMT	
GENERAL TOLERANCES (UNLESS SPECIFIED)		CHK'D: HKOMATSU 2018/12/07		PRODUCT CUSTOMER DRAWING	
ANGULAR TOL	± °	APPR: TOSADA 2018/12/07		DOCUMENT NUMBER	
4 PLACES	±	INITIAL REVISION:		SD-502352-001	DOC TYPE
3 PLACES	±	DRWN: SHSHIBATA 2008/01/23		PSD	DOC PART
2 PLACES	±	APPR: AKANESHIGE 2008/01/23		001	REVISION
1 PLACE	±	DRAFT WHERE APPLICABLE MUST REMAIN WITHIN DIMENSIONS		L2	
0 PLACES	±	THIRD ANGLE PROJECTION	DRAWING	SERIES	MATERIAL NUMBER
			A3-SIZE	502352	SEE CHART
					CUSTOMER
					GENERAL MARKET
					SHEET NUMBER
					3 OF 4

INITIAL REVISION:		
DRWN	SHSHIBATA	2007/12/18
CHECK	HKOMATSU	2007/12/18
APPR	AKANESHIGE	2007/12/18

DOCUMENT STATUS	P1	RELEASE DATE	2018/12/07	08:35:17
-----------------	----	--------------	------------	----------

9 8 7 6 5 4 3 2 1

FORMAT: master-b-prod-A3
REVISION: 11
DATE: 2018/01/18

Sn NATURAL	34.0	502352-1500	15
	32.0	502352-1400	14
	30.0	502352-1300	13
	28.0	502352-1200	12
	26.0	502352-1100	11
	24.0	502352-1000	10
	22.0	502352-0900	9
	20.0	502352-0800	8
	18.0	502352-0700	7
	16.0	502352-0600	6
	14.0	502352-0500	5
	12.0	502352-0400	4
	10.0	502352-0300	3
8.0	502352-0200	2	

PLATING COLOR	A	EMBOSSSED PACKAGE ORDER NO.	CKTS
CONNECTOR SERIES NO. 502352-**08			

Sn BLACK	34.0	502352-1501	15
	32.0	502352-1401	14
	30.0	502352-1301	13
	28.0	502352-1201	12
	26.0	502352-1101	11
	24.0	502352-1001	10
	22.0	502352-0901	9
	20.0	502352-0801	8
	18.0	502352-0701	7
	16.0	502352-0601	6
	14.0	502352-0501	5
	12.0	502352-0401	4
	10.0	502352-0301	3
8.0	502352-0201	2	

PLATING COLOR	A	EMBOSSSED PACKAGE ORDER NO.	CKTS
CONNECTOR SERIES NO. 502352-**28			

Au NATURAL	34.0	502352-1510	15
	32.0	502352-1410	14
	30.0	502352-1310	13
	28.0	502352-1210	12
	26.0	502352-1110	11
	24.0	502352-1010	10
	22.0	502352-0910	9
	20.0	502352-0810	8
	18.0	502352-0710	7
	16.0	502352-0610	6
	14.0	502352-0510	5
	12.0	502352-0410	4
	10.0	502352-0310	3
8.0	502352-0210	2	

PLATING COLOR	A	EMBOSSSED PACKAGE ORDER NO.	CKTS
CONNECTOR SERIES NO. 502352-**18			

Sn RED	-	-	15
	-	-	14
	-	-	13
	-	-	12
	-	-	11
	-	-	10
	-	-	9
	20.0	502352-0802	8
	-	-	7
	16.0	502352-0602	6
	-	-	5
	12.0	502352-0402	4
	10.0	502352-0302	3
8.0	502352-0202	2	

PLATING COLOR	A	EMBOSSSED PACKAGE ORDER NO.	CKTS
CONNECTOR SERIES NO. 502352-**48			

Sn BLUE	-	-	15
	-	-	14
	-	-	13
	-	-	12
	-	-	11
	-	-	10
	-	-	9
	20.0	502352-0803	8
	-	-	7
	16.0	502352-0603	6
	-	-	5
	12.0	502352-0403	4
	10.0	502352-0303	3
8.0	502352-0203	2	

PLATING COLOR	A	EMBOSSSED PACKAGE ORDER NO.	CKTS
CONNECTOR SERIES NO. 502352-**68			

Sn BLUE	-	-	15
	-	-	14
	-	-	13
	-	-	12
	-	-	11
	-	-	10
	-	-	9
	20.0	502352-0803	8
	-	-	7
	16.0	502352-0603	6
	-	-	5
	12.0	502352-0403	4
	10.0	502352-0303	3
8.0	502352-0203	2	

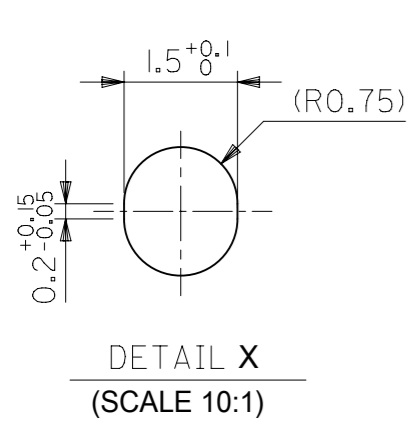
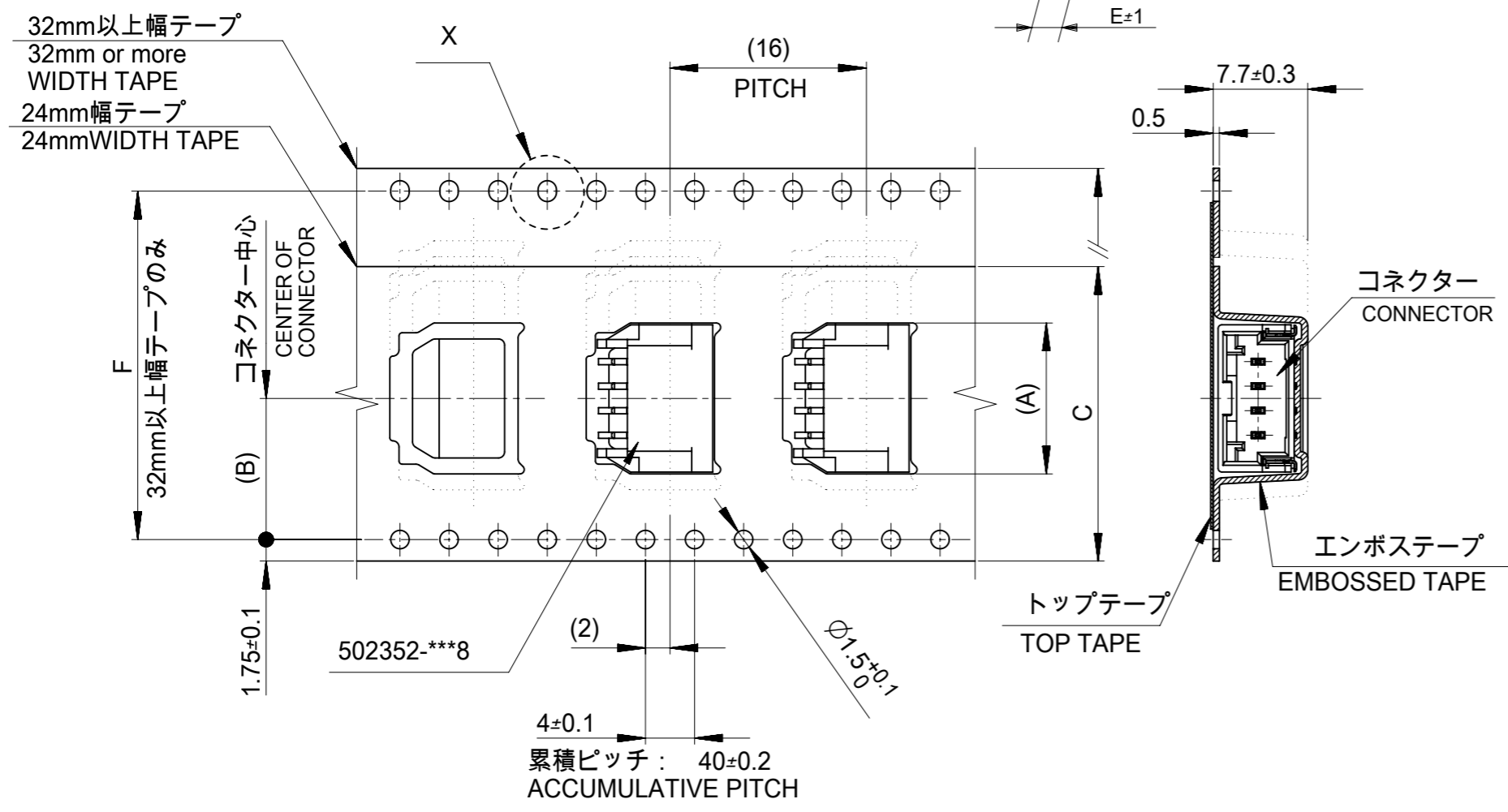
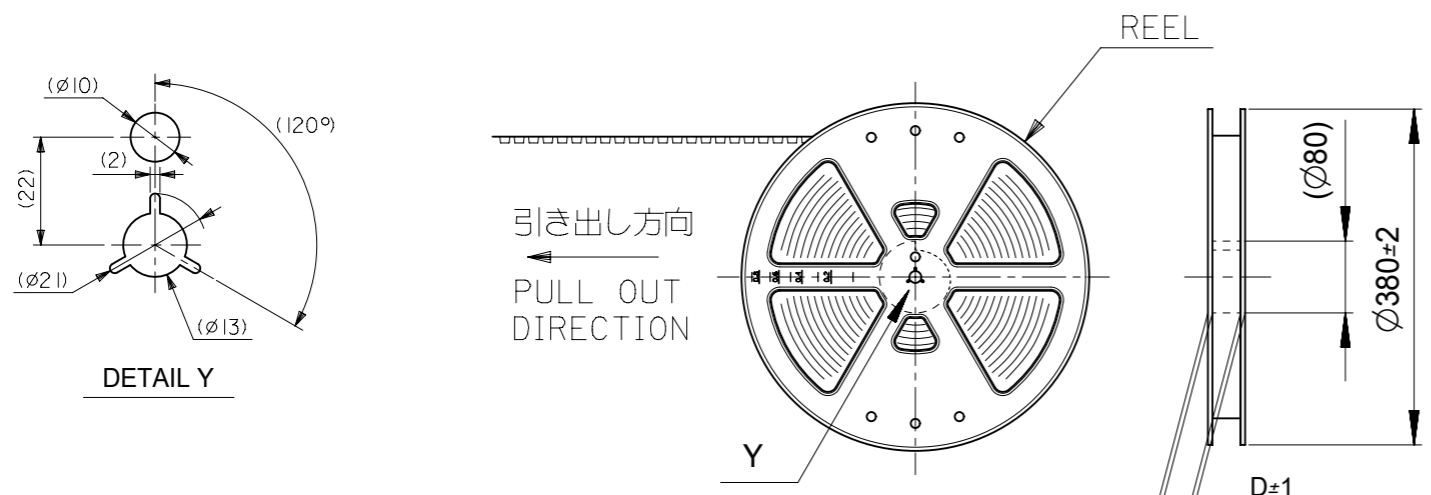
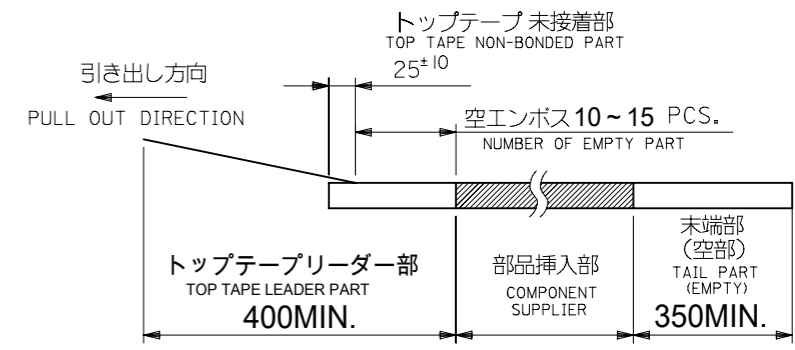
PLATING COLOR	A	EMBOSSSED PACKAGE ORDER NO.	CKTS
CONNECTOR SERIES NO. 502352-**68			

INITIAL REVISION:
 DRWN SHSHIBATA 2007/12/18
 CHECK HKOMATSU 2007/12/18
 APPR AKANESHIGE 2007/12/18

THIS DRAWING CONTAINS INFORMATION THAT IS PROPRIETARY TO MOLEX ELECTRONIC TECHNOLOGIES, LLC AND SHOULD NOT BE USED WITHOUT WRITTEN PERMISSION		CURRENT REV DESC:		molex	
DIMENSION UNITS	SCALE	EC NO: 608817			
mm	1:1	DRWN: MSATO08 2018/12/07		2.0MM PITCH W/B CONN. WAFER ASSY R/A SMT	
GENERAL TOLERANCES (UNLESS SPECIFIED)		CHK'D: HKOMATSU 2018/12/07		PRODUCT CUSTOMER DRAWING	
ANGULAR TOL	±	APPR: TOSADA 2018/12/07		DOCUMENT NUMBER	
4 PLACES	±	INITIAL REVISION:		SD-502352-001	
3 PLACES	±	DRWN: SHSHIBATA 2008/01/23		DOC TYPE	DOC PART
2 PLACES	±	APPR: AKANESHIGE 2008/04/23		001	L2
1 PLACE	±	THIRD ANGLE PROJECTION		SHEET NUMBER	
0 PLACES	±	DRAWING		4 OF 4	
DRAFT WHERE APPLICABLE MUST REMAIN WITHIN DIMENSIONS		SERIES		CUSTOMER	
		A3-SIZE		GENERAL MARKET	
		502352		SEE CHART	

注記
NOTES

- 製品番号
 ナチュラル・錫めっき: 502352-**00
 ナチュラル・金めっき: 502352-**10
 黒・錫めっき: 502352-**01
 赤・錫めっき: 502352-**02
 青・錫めっき: 502352-**03
 詳細寸法については、製品単体図面を参照下さい。
 PART NO.
 NATURAL Sn Plating: 502352-**00
 NATURAL Au Plating: 502352-**10
 BLACK Sn Plating: 502352-**01
 RED Sn Plating: 502352-**02
 BLUE Sn Plating: 502352-**03
 SEE SALES DRAWING FOR CONNECTOR
- 梱包数量: 700個/リール
 NUMBER OF CONNECTORS 700PCS/REEL
- リードテープ長さ
 LEAD TAPE LENGHT
- 材料
 MATERIAL
 キャリアテープ: ポリスチレン
 CARRIER TAPE: POLYSTYRENE
 トップテープ: PET, PE, PEF
 TOP TAPE: PET, PE, PEF
 リール: ポリスチレン
 REEL: POLYSTYRENE
- 一般降参
 GENERAL TOLERANCES
 10 UNDER: 0.2
 10 OVER 30 UNDER: 0.25
 30 OVER: 0.3
 ANGULAR: ±1°



THIS DRAWING CONTAINS INFORMATION THAT IS PROPRIETARY TO MOLEX ELECTRONIC TECHNOLOGIES, LLC AND SHOULD NOT BE USED WITHOUT WRITTEN PERMISSION		CURRENT REV DESC:		molex	
DIMENSION UNITS	SCALE				
mm	NTS			2.0MM PITCH W/B CONN. WAFER ASSY EMBOSSSED TAPE PACKAGE	
GENERAL TOLERANCES (UNLESS SPECIFIED)		EC NO: 177053		PRODUCT CUSTOMER DRAWING	
ANGULAR TOL	± °	DRWN: RHORI	2018/05/21	DOCUMENT NUMBER	
4 PLACES	±	CHK'D: HKOMATSU	2018/05/23	SD-502352-002	
3 PLACES	±	APPR: TOSADA	2018/05/23	DOC TYPE	DOC PART
2 PLACES	±	INITIAL REVISION:		PSD	001
1 PLACE	±	DRWN: SHSHIBATA	2007/06/19	REVISION	
0 PLACES	±	APPR: AKANESHIGE	2007/06/19	K	
DRAFT WHERE APPLICABLE MUST REMAIN WITHIN DIMENSIONS		THIRD ANGLE PROJECTION	DRAWING	SERIES	MATERIAL NUMBER
		⊕ ⊞	A3-SIZE	502352	CUSTOMER
				SEE CHART	GENERAL MARKET
				SHEET NUMBER	
				1 OF 2	

INITIAL REVISION:		
DRWN	SHSHIBATA	2007/06/06
CHECK	TAITO	2007/06/06
APPR	MAYAMAMOTO	2012/03/14

		9			8			7			6			5			4			3			2			1						
E	Sn NATURAL	52.4	61.4	57.4	56	26.2	34.3	502352-1500	15	40.4	49.4	45.4	44	20.2	34.3	502352-1510	15	28.4	37.4	33.4	32	14.2	34.3	502352-1510	15	29.4	25.4	24	11.5	34.3	502352-1510	15
							32.3	502352-1400	14						32.3	502352-1410	14						32.3	502352-1410	14							
							30.3	502352-1300	13						30.3	502352-1310	13						30.3	502352-1310	13							
							28.3	502352-1200	12						28.3	502352-1210	12						28.3	502352-1210	12							
							26.3	502352-1100	11						26.3	502352-1110	11						26.3	502352-1110	11							
							24.3	502352-1000	10						24.3	502352-1010	10						24.3	502352-1010	10							
							22.3	502352-0900	9						22.3	502352-0910	9						22.3	502352-0910	9							
		20.3	502352-0800	8	20.3	502352-0810	8	20.3	502352-0810	8																						
		18.3	502352-0700	7	18.3	502352-0710	7	18.3	502352-0710	7																						
		16.3	502352-0600	6	16.3	502352-0610	6	16.3	502352-0610	6																						
		14.3	502352-0500	5	14.3	502352-0510	5	14.3	502352-0510	5																						
		12.3	502352-0400	4	12.3	502352-0410	4	12.3	502352-0410	4																						
		10.3	502352-0300	3	10.3	502352-0310	3	10.3	502352-0310	3																						
		8.3	502352-0200	2	8.3	502352-0210	2	8.3	502352-0210	2																						
D	PLATING COLOR	F	E	D	C	(B)	(A)	エンボス梱包品 製品番号 MATERIAL NO.	極数 CKT.	F	E	D	C	(B)	(A)	エンボス梱包品 製品番号 MATERIAL NO.	極数 CKT.	F	E	D	C	(B)	(A)	エンボス梱包品 製品番号 MATERIAL NO.	極数 CKT.							

C	Sn BLACK	52.4	61.4	57.4	56	26.2	34.3	502352-1501	15	40.4	49.4	45.4	44	20.2	34.3	502352-1501	15	28.4	37.4	33.4	32	14.2	34.3	502352-1501	15	29.4	25.4	24	11.5	34.3	502352-1501	15
							32.3	502352-1401	14						32.3	502352-1401	14						32.3	502352-1401	14							
							30.3	502352-1301	13						30.3	502352-1301	13						30.3	502352-1301	13							
							28.3	502352-1201	12						28.3	502352-1201	12						28.3	502352-1201	12							
							26.3	502352-1101	11						26.3	502352-1101	11						26.3	502352-1101	11							
							24.3	502352-1001	10						24.3	502352-1001	10						24.3	502352-1001	10							
							22.3	502352-0901	9						22.3	502352-0901	9						22.3	502352-0901	9							
		20.3	502352-0801	8	20.3	502352-0801	8	20.3	502352-0801	8																						
		18.3	502352-0701	7	18.3	502352-0701	7	18.3	502352-0701	7																						
		16.3	502352-0601	6	16.3	502352-0601	6	16.3	502352-0601	6																						
		14.3	502352-0501	5	14.3	502352-0501	5	14.3	502352-0501	5																						
		12.3	502352-0401	4	12.3	502352-0401	4	12.3	502352-0401	4																						
		10.3	502352-0301	3	10.3	502352-0301	3	10.3	502352-0301	3																						
		8.3	502352-0201	2	8.3	502352-0201	2	8.3	502352-0201	2																						
B	PLATING COLOR	F	E	D	C	(B)	(A)	エンボス梱包品 製品番号 MATERIAL NO.	極数 CKT.	F	E	D	C	(B)	(A)	エンボス梱包品 製品番号 MATERIAL NO.	極数 CKT.	F	E	D	C	(B)	(A)	エンボス梱包品 製品番号 MATERIAL NO.	極数 CKT.							

B	Sn RED	52.4	61.4	57.4	56	26.2	34.3	502352-1502	15	40.4	49.4	45.4	44	20.2	34.3	502352-1502	15	28.4	37.4	33.4	32	14.2	34.3	502352-1502	15	29.4	25.4	24	11.5	34.3	502352-1502	15
							32.3	502352-1402	14						32.3	502352-1402	14						32.3	502352-1402	14							
							30.3	502352-1302	13						30.3	502352-1302	13						30.3	502352-1302	13							
							28.3	502352-1202	12						28.3	502352-1202	12						28.3	502352-1202	12							
							26.3	502352-1102	11						26.3	502352-1102	11						26.3	502352-1102	11							
							24.3	502352-1002	10						24.3	502352-1002	10						24.3	502352-1002	10							
							22.3	502352-0902	9						22.3	502352-0902	9						22.3	502352-0902	9							
		20.3	502352-0802	8	20.3	502352-0802	8	20.3	502352-0802	8																						
		18.3	502352-0702	7	18.3	502352-0702	7	18.3	502352-0702	7																						
		16.3	502352-0602	6	16.3	502352-0602	6	16.3	502352-0602	6																						
		14.3	502352-0502	5	14.3	502352-0502	5	14.3	502352-0502	5																						
		12.3	502352-0402	4	12.3	502352-0402	4	12.3	502352-0402	4																						
		10.3	502352-0302	3	10.3	502352-0302	3	10.3	502352-0302	3																						
		8.3	502352-0202	2	8.3	502352-0202	2	8.3	502352-0202	2																						
B	PLATING COLOR	F	E	D	C	(B)	(A)	エンボス梱包品 製品番号 MATERIAL NO.	極数 CKT.	F	E	D	C	(B)	(A)	エンボス梱包品 製品番号 MATERIAL NO.	極数 CKT.	F	E	D	C	(B)	(A)	エンボス梱包品 製品番号 MATERIAL NO.	極数 CKT.							

A	Sn BLUE	52.4	61.4	57.4	56	26.2	34.3	502352-1503	15	40.4	49.4	45.4	44	20.2	34.3	502352-1503	15	28.4	37.4	33.4	32	14.2	34.3	502352-1503	15	29.4	25.4	24	11.5	34.3	502352-1503	15
							32.3	502352-1403	14						32.3	502352-1403	14						32.3	502352-1403	14							
							30.3	502352-1303	13						30.3	502352-1303	13						30.3	502352-1303	13							
							28.3	502352-1203	12						28.3	502352-1203	12						28.3	502352-1203	12							
							26.3	502352-1103	11						26.3	502352-1103	11						26.3	502352-1103	11							
							24.3	502352-1003	10						24.3	502352-1003	10						24.3	502352-1003	10							
							22.3	502352-0903	9						22.3	502352-0903	9						22.3	502352-0903	9							
		20.3	502352-0803	8	20.3	502352-0803	8	20.3	502352-0803	8																						
		18.3	502352-0703	7	18.3	502352-0703	7	18.3	502352-0703	7																						
		16.3	502352-0603	6	16.3	502352-0603	6	16.3	502352-0603	6																						
		14.3	502352-0503	5	14.3	502352-0503	5	14.3	502352-0503	5																						
		12.3	502352-0403	4	12.3	502352-0403	4	12.3	502352-0403	4																						
		10.3	502352-0303	3	10.3	502352-0303	3	10.3	502352-0303	3																						
		8.3	502352-0203	2	8.3	502352-0203	2	8.3	502352-0203	2																						
B	PLATING COLOR	F	E	D	C	(B)	(A)	エンボス梱包品 製品番号 MATERIAL NO.	極数 CKT.	F	E	D	C	(B)	(A)	エンボス梱包品 製品番号 MATERIAL NO.	極数 CKT.	F	E	D	C	(B)	(A)	エンボス梱包品 製品番号 MATERIAL NO.	極数 CKT.							

<p>THIS DRAWING CONTAINS INFORMATION THAT IS PROPRIETARY TO MOLEX ELECTRONIC TECHNOLOGIES, LLC AND SHOULD NOT BE USED WITHOUT WRITTEN PERMISSION</p> <table border="1"> <tr> <td>DIMENSION UNITS</td> <td>SCALE</td> <td colspan="2">CURRENT REV DESC:</td> </tr> <tr> <td>mm</td> <td>NTS</td> <td colspan="2"></td> </tr> <tr> <td colspan="2">GENERAL TOLERANCES (UNLESS SPECIFIED)</td> <td colspan="2"></td> </tr> <tr> <td>ANGULAR TOL</td> <td>±</td> <td colspan="2"></td> </tr> <tr> <td>4 PLACES</td> <td>±</td> <td colspan="2"></td> </tr> <tr> <td>3 PLACES</td> <td>±</td> <td colspan="2"></td> </tr> <tr> <td>2 PLACES</td> <td>±</td> <td colspan="2"></td> </tr> <tr> <td>1 PLACE</td> <td>±</td> <td colspan="2"></td> </tr> <tr> <td>0 PLACES</td> <td>±</td> <td colspan="2"></td> </tr> <tr> <td colspan="2">DRAFT WHERE APPLICABLE MUST REMAIN WITHIN DIMENSIONS</td> <td>THIRD ANGLE PROJECTION</td> <td>DRAWING</td> </tr> <tr> <td colspan="2"></td> <td></td> <td>A3-SIZE</td> </tr> </table>												DIMENSION UNITS	SCALE	CURRENT REV DESC:		mm	NTS			GENERAL TOLERANCES (UNLESS SPECIFIED)				ANGULAR TOL	±			4 PLACES	±			3 PLACES	±			2 PLACES	±			1 PLACE	±			0 PLACES	±			DRAFT WHERE APPLICABLE MUST REMAIN WITHIN DIMENSIONS		THIRD ANGLE PROJECTION	DRAWING				A3-SIZE	<p>EC NO: 177053 DRWN: RHORI 2018/05/21 CHK'D: HKOMATSU 2018/05/23 APPR: TOSADA 2018/05/23</p>			<p>molex</p> <p>2.0MM PITCH W/B CONN. WAFER ASSY EMBOSSED TAPE PACKAGE</p>			<p>PRODUCT CUSTOMER DRAWING</p>			<p>INITIAL REVISION: DRWN: SHSHIBATA 2007/06/06 CHECK TAITO 2007/06/06 APPR: MAYAMAMOTO 2012/03/14</p>			<p>DOCUMENT NUMBER: SD-502352-002 DOC TYPE: PSD DOC PART: 001 REVISION: K</p>		
DIMENSION UNITS	SCALE	CURRENT REV DESC:																																																																				
mm	NTS																																																																					
GENERAL TOLERANCES (UNLESS SPECIFIED)																																																																						
ANGULAR TOL	±																																																																					
4 PLACES	±																																																																					
3 PLACES	±																																																																					
2 PLACES	±																																																																					
1 PLACE	±																																																																					
0 PLACES	±																																																																					
DRAFT WHERE APPLICABLE MUST REMAIN WITHIN DIMENSIONS		THIRD ANGLE PROJECTION	DRAWING																																																																			
			A3-SIZE																																																																			
DOCUMENT STATUS	P1	RELEASE DATE	2018/05/23	09:22:50	MATERIAL NUMBER		SEE CHART	CUSTOMER		GENERAL MARKET	SHEET NUMBER		2 OF 2																																																									