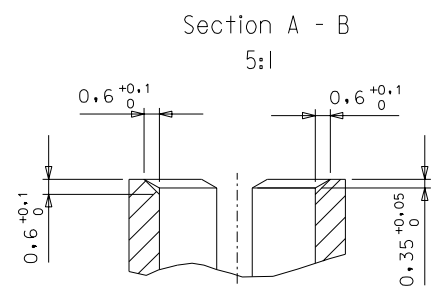
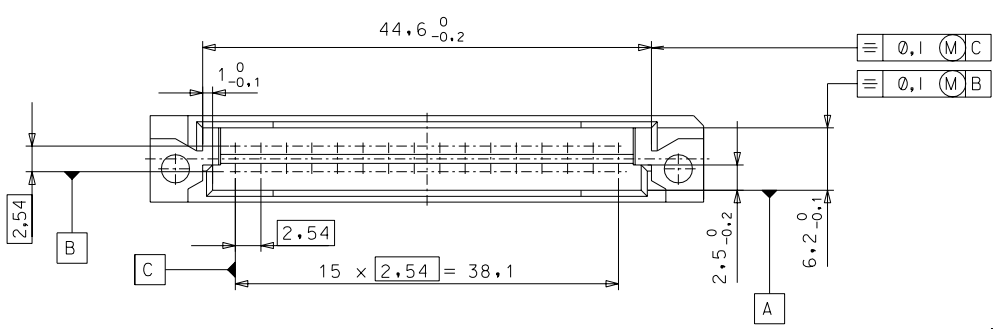
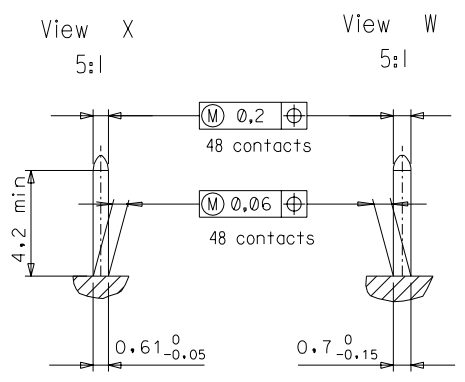
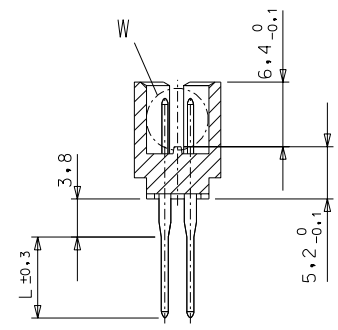
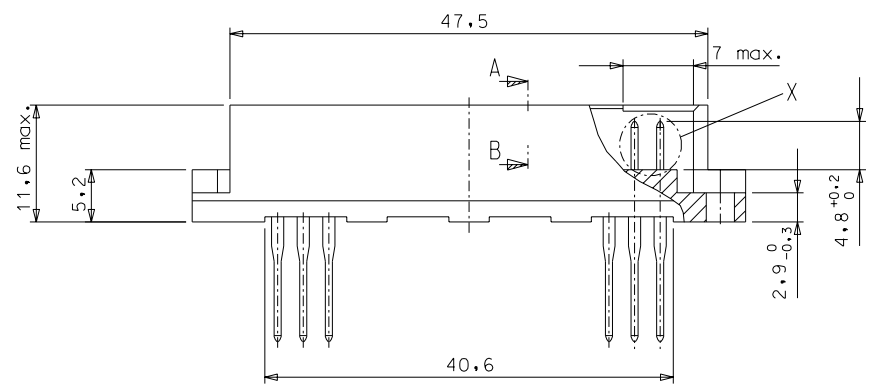
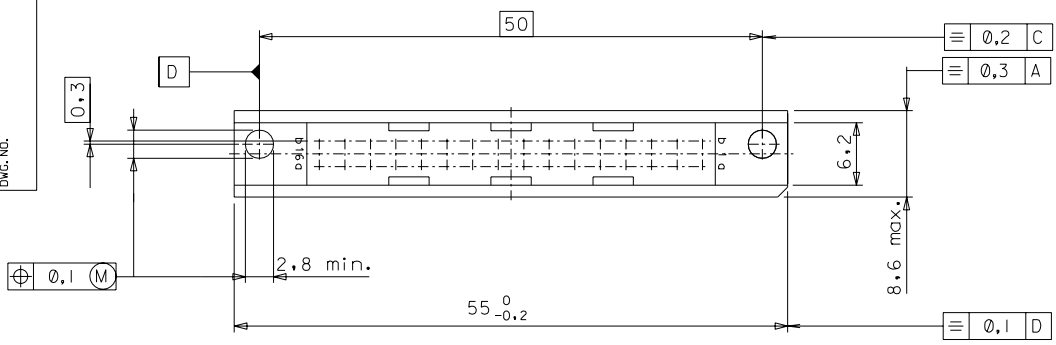


PART NO.
DWG. NO.



FIRST ANGLE PROJECTION		REVISE ONLY ON CAD SYSTEM	
UNLESS OTHERWISE SPECIFIED TOLERANCES: ANGULAR ± 2'		DRWG BY	SIGN
INCH METRIC		CHK'D BY	SIGN
3 PLACE ±	±	APP'D BY	SIGN
2 PLACE ±	±	SCALE	
1 PLACE ±	±	2:1	
DRAFT WHERE APPLICABLE MUST REMAIN WITHIN DIMENSIONS		DESIGN DIMENSION <input type="checkbox"/> MM <input checked="" type="checkbox"/> IN.	
EQUIVALENT DIMENSION <input type="checkbox"/> MM <input type="checkbox"/> IN.		PART NO. SEE CHART	
IF TWO DIMENSIONS ARE SHOWN THE UPPER IS THE DESIGN DIMENSION, LOWER IS SECONDARY		DWG NO. 612-6043-202	

CAD/CAM PROJECT NAME		SH. REV.	
61243202 dgn		I A	
THIS DRAWING CONTAINS INFORMATION THAT IS PROPRIETARY TO MOLEX INC. & SHOULD NOT BE USED WITHOUT WRITTEN PERMISSION			
TITLE			
32 pos. Male connector acc. DIN 41612 style Q/2 (C-Pin) / Dimensions			
MOLEX EUROPE		SHEET NO. DATE	
PART NO. SEE CHART		10F3 94/02/07	
DWG NO. 612-6043-202		SIZE B	

32P-6043-0431-9	85011-0050	no	2	----- 2	1,2,3...16 a+b
32P-6043-042V-9	85011-0036	yes	2	----- 2	1,2,3...16 a+b
32P-6043-041V-7	85011-0177	yes	1	Wire wrap 13,3	1,2,3...16 a+b
32P-6043-041V-8	85011-0165	yes	1	Wire wrap 9,4	1,2,3...16 a+b
32P-6043-041V-9	85011-0153	yes	1	----- 2	1,2,3...16 a+b
32P-6043-042V-7	85011-0141	yes	2	Wire wrap 13,3	1,2,3...16 a+b
32P-6043-042V-8	85011-0139	yes	2	Wire wrap 9,4	1,2,3...16 a+b
Engineering number	Ordering code	Molex std.	Perform.level hard gold acc.MIL-G45204	Termination / L	Contact sequence / row

2	A
SHL	REV.

FIRST ANGLE PROJECTION <input type="checkbox"/> <input checked="" type="checkbox"/>		REVISE ONLY ON CAD SYSTEM	
REVISIONS	DIMENSIONS SHOWN (METRIC) INCH UNLESS OTHERWISE SPECIFIED TOLERANCES: ANGULAR ±2		DRWG BY Ca
	INCH (METRIC)		CHK'D BY
	3 PLACE ± .		APPT'D BY <i>No.</i>
	2 PLACE ± .		SCALE
1 PLACE ±		TITLE 32 pos. Male connector acc. DIN 41612 style Q/2 (C-Pin) / Ordering code	
DRAFT WHERE APPLICABLE MUST REMAIN WITHIN DIMENSIONS		MOLEX EUROPE	
DESIGN DIMENSION <input checked="" type="checkbox"/> (MM) (PRIMARY) <input type="checkbox"/> IN.		SHEET NO. DATE 20F3 94/02/07	
EQUIVALENT DIMENSION <input type="checkbox"/> (MM) (SECONDARY) <input type="checkbox"/> IN.		PART NO. DWG NO. SIZE SEE CHART 612-6043-202 D	

- 1. General : Technical Data
32pos. Male connector acc.DIN 41612 style Q/2
(C-Pin)
- 2. Material :
- 2.1 Moulding material : Thermoplastic Polyester GV30 grey RAL 7032
- 2.1.1 Moulding material
burning properties acc. to UL94 V0
- 2.1.2 Resistance against
solvents : good
- 2.2 Pin contact : CuSn
- 2.2.1 Contact plating : Performance level I or II (Test acc.DIN 41612 part.5)
- 3. Printing : Part.No., date of manufacturing

Sheet	Dwg Issue	Date	Name	Change	Remark
1	Dimens. A	94/02/07	Ca
2	Ord.code A	94/02/07	Ca
3	Data A	94/02/07	Ca

Sheet 3 of 3

Umbrella index AA

M O L E X
GmbH

32pos.Male Connector
Data
612-6043-202