

NOTES

1. MATERIAL:

CAGE: NICKEL SILVER, THICKNESS: 0.25mm  
 CONNECTOR HOUSING: GLASS FILLED LIQUID CRYSTAL POLYMER (LCP), UL 94V-0, COLOR: BLACK  
 OVERMOLD TERMINAL HOUSING: GLASS FILLED LIQUID CRYSTAL POLYMER (LCP), UL 94V-0, COLOR: BLACK  
 TERMINALS: TIN BRASS  
 LIGHTPIPE HOUSING: ZINC  
 LIGHTPIPES: POLYCARBONATE, COLOR: CLEAR

2. FINISHES:

TERMINALS: CONTACT AREA: 0.76 MICROMETERS MINIMUM HARD GOLD OVER 1.27 MICROMETERS MINIMUM NICKEL.  
 COMPLIANT TAIL - MATTE TIN/LEAD OPTION: 0.76 TO 1.52 MICROMETERS 90/10 MATTE TIN-LEAD OVER 0.76 MICROMETERS MINIMUM NICKEL.  
 COMPLIANT TAIL - MATTE TIN OPTION: 0.76 TO 1.52 MICROMETERS MATTE TIN OVER 0.76 MICROMETERS MINIMUM NICKEL.  
 LIGHTPIPE HOUSING: 80 MICROMETERS MINIMUM NICKEL OVER COPPER

3. REFER TO PS-75310-001 PRODUCT SPEC FOR ALL ELECTRICAL, MECHANICAL, AND ENVIRONMENTAL SPECIFICATIONS.

4. LIGHTPIPE PAD LAYOUT IS FOR 0805 LOW-PROFILE LED PACKAGE, FOR OTHER RECOMMENDED LAYOUTS REFER TO MOLEX'S REPORT TS-75310-001.

5. REFER TO PK-75462-001 FOR ALL PACKAGING SPECIFICATIONS.

6. PART COMPLIES WITH COSMETIC SPECIFICATION PS-45499-002.

SEE SHEET 4 SECTION Z-Z FOR SURFACE CLASSIFICATIONS.

UNDERSIDE OF CAGE COMPLIES WITH CLASS "C".

7. DATE CODE LOCATION IS SHOWN ABOVE.

DATE CODE FORMAT: DDDY MX A1

DDD = DAY OF THE YEAR

Y = YEAR

MX = MOLEX

A = ALPHA CHARACTER - INDICATES MANUFACTURING LINE

1 = NUMERIC CHARACTER - INDICATES PRODUCTION SHIFT

PART NUMBER	DESCRIPTION	VIEW	COMPLIANT TAIL PLATING
75640-0001	4 PORT LIGHT PIPE	SEE PG 2	TIN LEAD
75640-0002	INNER 2 PORTS	SEE PG 2	TIN LEAD
75640-0003	OUTER 2 PORTS	SEE PG 2	TIN LEAD
75640-5001	4 PORT LIGHT PIPE	SEE PG 2	TIN
75640-5002	INNER 2 PORTS	SEE PG 2	TIN
75640-5003	OUTER 2 PORTS	SEE PG 2	TIN

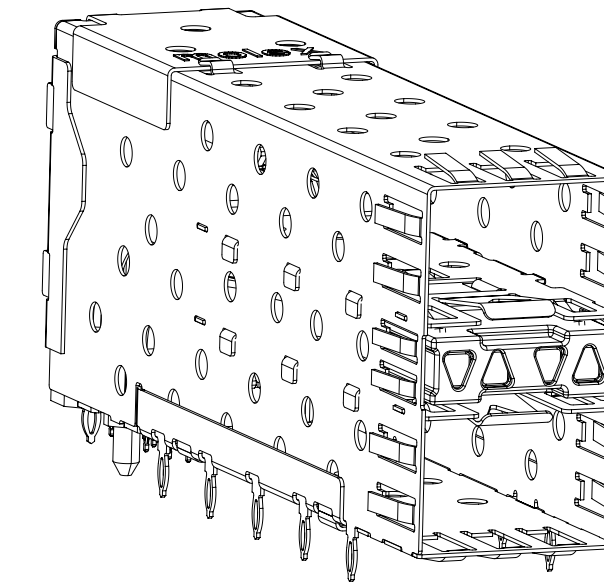
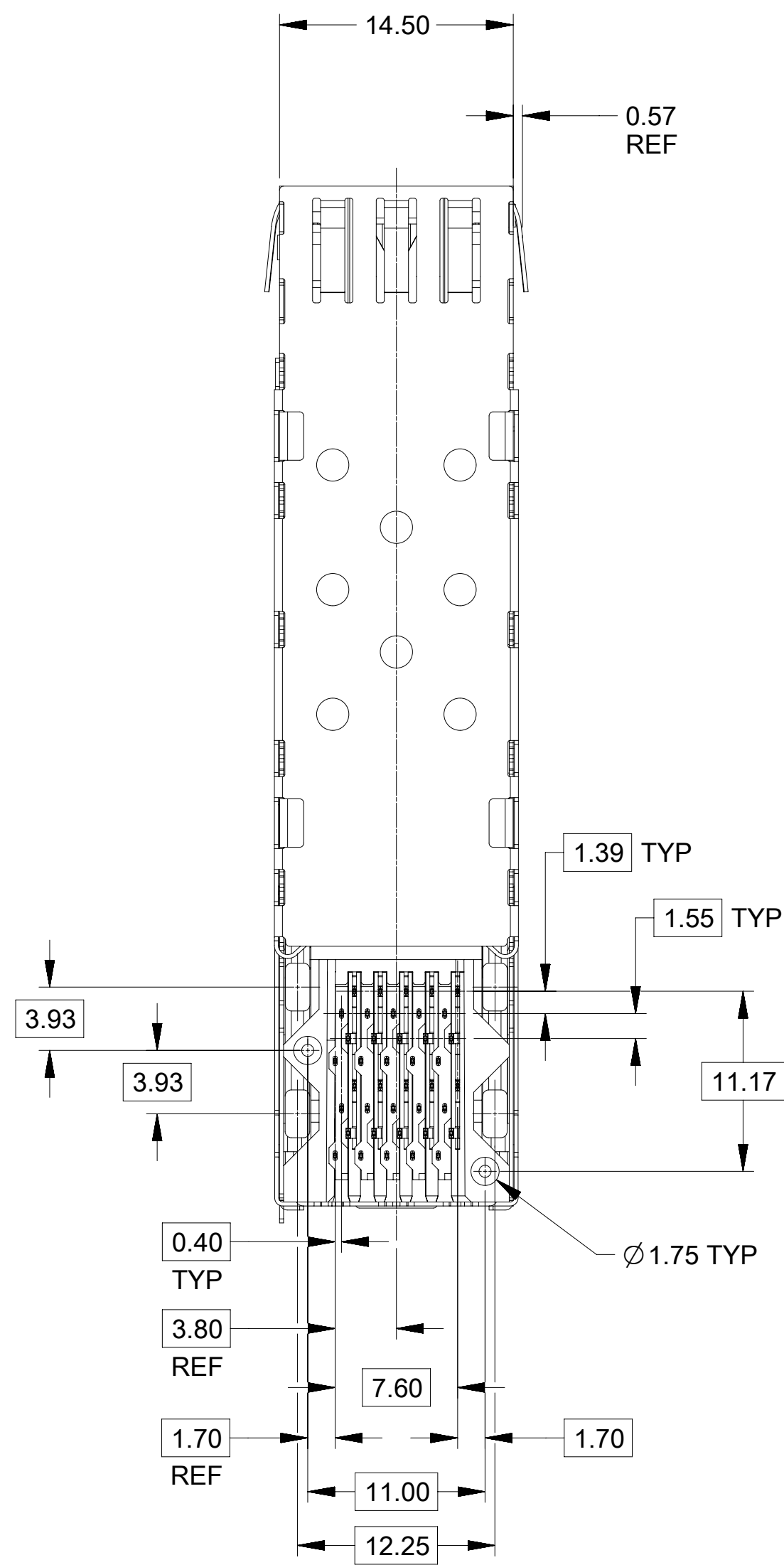
SYMBOLS	THIS DRAWING CONTAINS INFORMATION THAT IS PROPRIETARY TO MOLEX ELECTRONIC TECHNOLOGIES, LLC AND SHOULD NOT BE USED WITHOUT WRITTEN PERMISSION		
	DIMENSION UNITS	SCALE	CURRENT REV DESC: UPDATE TO NEW TAILS
▽ = 0	mm	3:1	EC NO: 600319 DRWN: SVANG01 2018/06/04 CHK'D: RWHIPPLE 2018/06/05 APPR: CHIRSCHY 2018/06/05
▽ = 0	GENERAL TOLERANCES (UNLESS SPECIFIED)		
▽ = 0	ANGULAR TOL ± 5.0°		INITIAL REVISION: DRWN: JLONG 2004/10/21 APPR: RNELSON 2004/10/28
▽ = 0	4 PLACES	±	
▽ = 0	3 PLACES	±	SERIES 75640
▽ = 0	2 PLACES	± 0.13	
▽ = 0	1 PLACE	± 0.25	DRAWING C-SIZE
▽ = 0	0 PLACES	±	
▽ = 0	DRAFT WHERE APPLICABLE MUST REMAIN WITHIN DIMENSIONS	THIRD ANGLE PROJECTION	MATERIAL NUMBER GENERAL MARKET
▽ = 0			CUSTOMER GENERAL MARKET

STACKED SFP 2X1 MEDIUM HEIGHT ASSY, PRESS-FIT TAILS WITH LIGHT PIPES

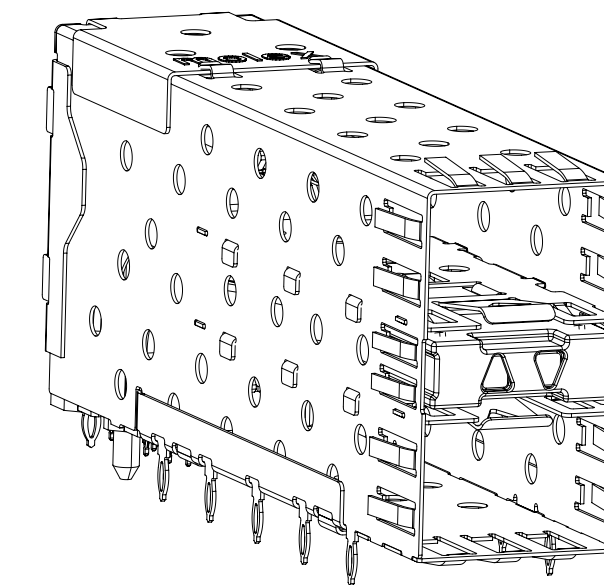
PRODUCT CUSTOMER DRAWING

DOCUMENT NUMBER	DOC TYPE	DOC PART	REVISION
SD-75640-001	PSD	001	H

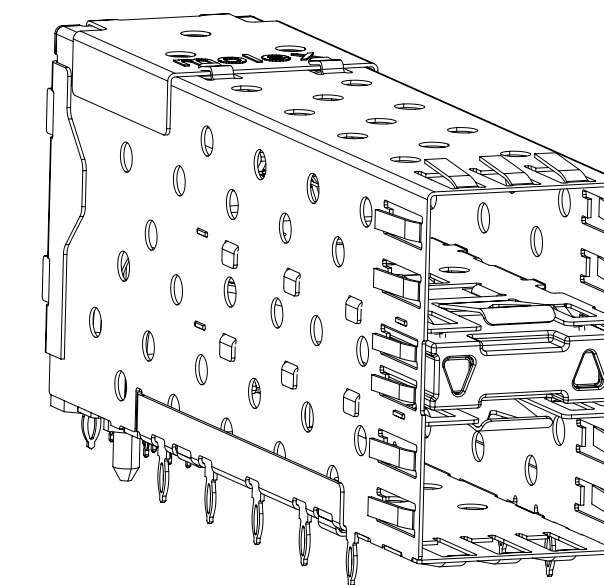
SHEET NUMBER  
1 OF 4



756400001 & 756405001  
WITH 4 LIGHT PIPE PORTS

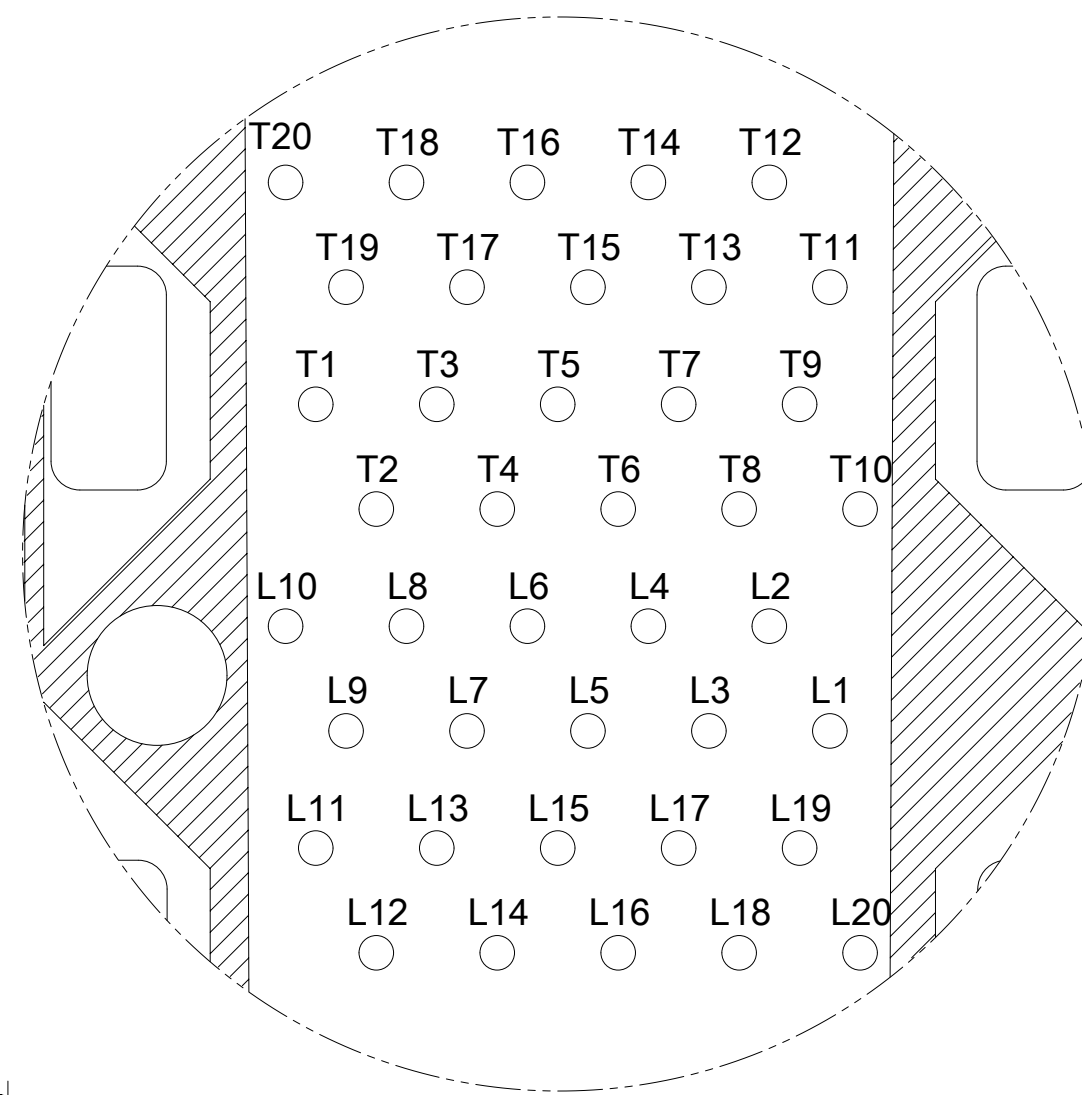


756400002 & 756405002  
WITH INNER LIGHT PIPE PORTS

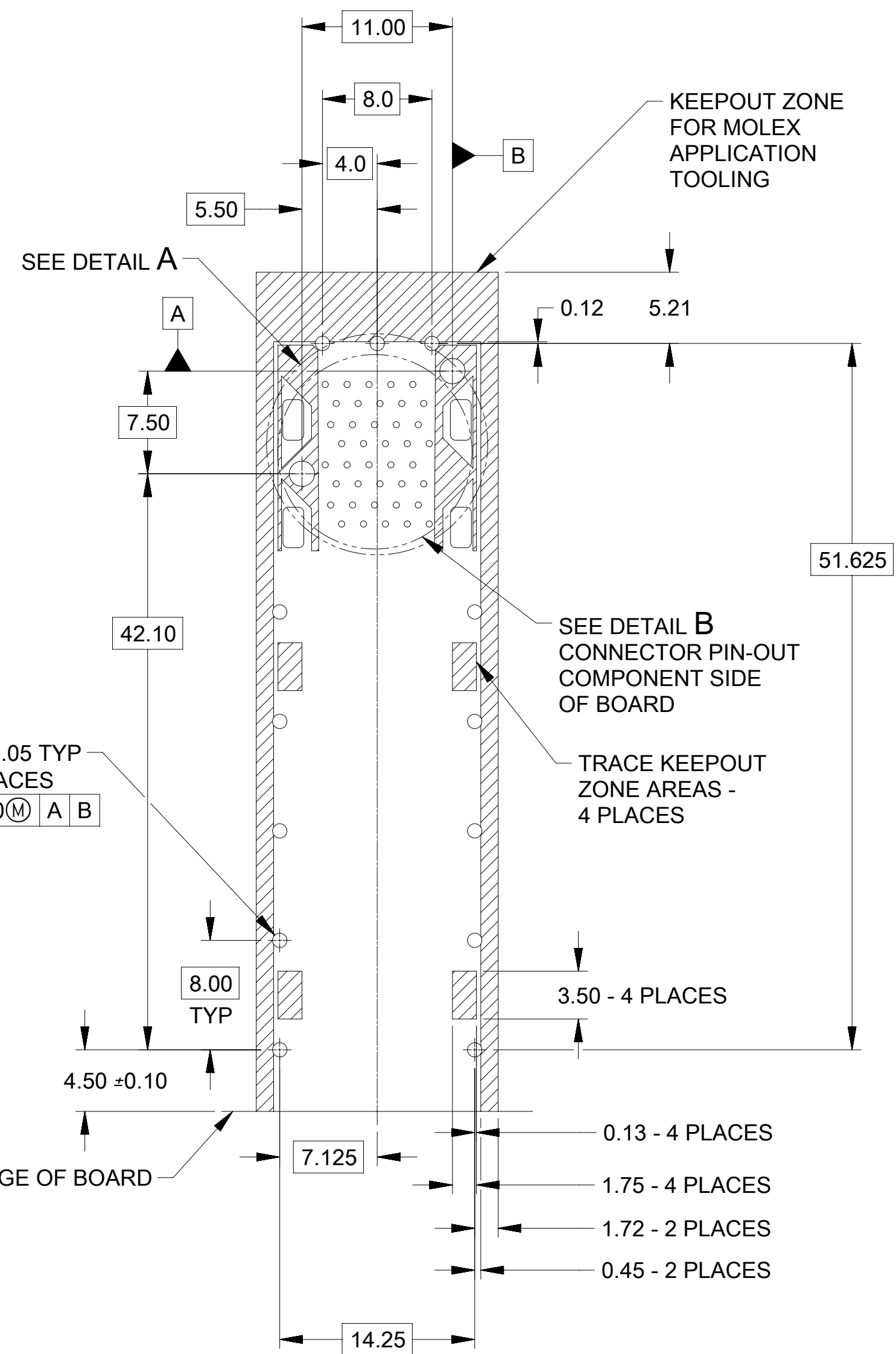


756400003 & 756405003  
WITH OUTER LIGHT PIPE PORTS

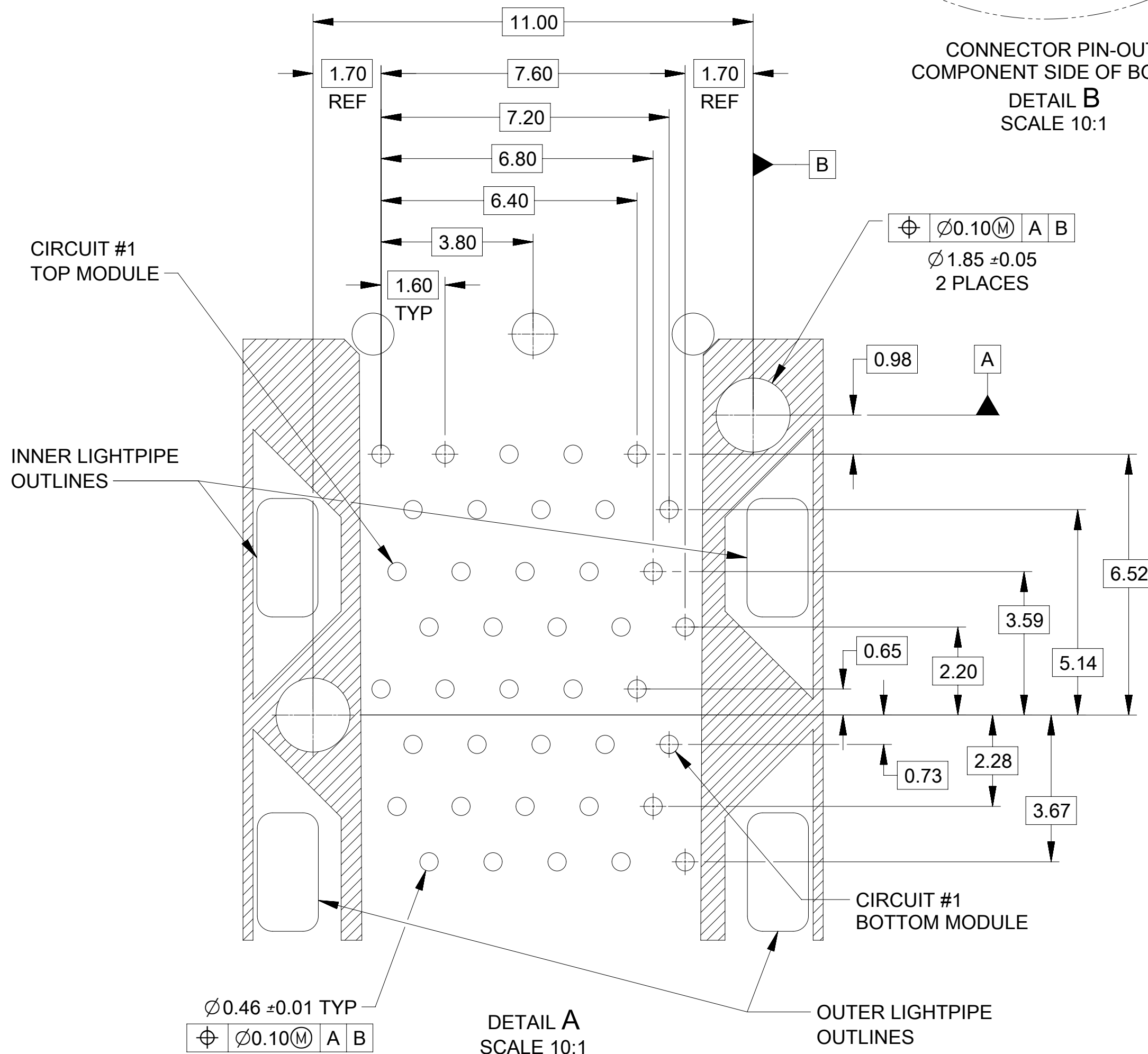
SYMBOLS		THIS DRAWING CONTAINS INFORMATION THAT IS PROPRIETARY TO MOLEX ELECTRONIC TECHNOLOGIES, LLC AND SHOULD NOT BE USED WITHOUT WRITTEN PERMISSION	
DIMENSION UNITS	SCALE	CURRENT REV DESC: UPDATE TO NEW TAILS	
$\nabla = 0$	mm	3:1	<b>molex</b> STACKED SFP 2X1 MEDIUM HEIGHT ASSY, PRESS-FIT TAILS WITH LIGHT PIPES PRODUCT CUSTOMER DRAWING
$\nabla = 0$	GENERAL TOLERANCES (UNLESS SPECIFIED)		
$\nabla = 0$	ANGULAR TOL $\pm 5.0^\circ$		
$\nabla = 0$	4 PLACES $\pm$		
$\nabla = 0$	3 PLACES $\pm$		
$\nabla = 0$	2 PLACES $\pm 0.13$		EC NO: 600319 DRWN: SVANG01 2018/06/04 CHK'D: RWHIPPLE 2018/06/05 APPR: CHIRSCHY 2018/06/05
$\nabla = 0$	1 PLACE $\pm 0.25$		
$\nabla = 0$	0 PLACES $\pm$		
$\nabla = 0$	DRAFT WHERE APPLICABLE MUST REMAIN WITHIN DIMENSIONS		INITIAL REVISION: DRWN: JLONG 2004/10/21 APPR: RNELSON 2004/10/28
THIRD ANGLE PROJECTION		DRAWING	SERIES
		C-SIZE	75640
DOCUMENT NUMBER		DOC TYPE	DOC PART
SD-75640-001		PSD	001
CUSTOMER		SHEET NUMBER	
GENERAL MARKET		2 OF 4	



CONNECTOR PIN-OUT  
COMPONENT SIDE OF BOARD  
DETAIL B  
SCALE 10:1



RECOMMENDED PCB LAYOUT - COMPONENT SIDE  
RECOMMENDED PCB THICKNESS: 2.36 MM (.093 INCH)  
(MINIMUM PCB THICKNESS: 1.57)  
THE ENTIRE AREA OF THE CONNECTOR FOOTPRINT  
TO BE CONSIDERED THE KEEP OUT AREA FOR COMPONENTS



DETAIL A  
SCALE 10:1

SYMBOLS				THIS DRAWING CONTAINS INFORMATION THAT IS PROPRIETARY TO MOLEX ELECTRONIC TECHNOLOGIES, LLC AND SHOULD NOT BE USED WITHOUT WRITTEN PERMISSION			
DIMENSION UNITS		SCALE		CURRENT REV DESC: UPDATE TO NEW TAILS			
mm		3:1					
GENERAL TOLERANCES (UNLESS SPECIFIED)				EC NO: 600319			
ANGULAR TOL ± 5.0°				DRWN: SVANG01		2018/06/04	
4 PLACES ±				CHK'D: RWHIPPLE		2018/06/05	
3 PLACES ±				APPR: CHIRSCHY		2018/06/05	
2 PLACES ± 0.13				INITIAL REVISION:			
1 PLACE ± 0.25				DRWN: JLONG		2004/10/21	
0 PLACES ±				APPR: RNELSON		2004/10/28	
DRAFT WHERE APPLICABLE MUST REMAIN WITHIN DIMENSIONS				THIRD ANGLE PROJECTION		DRAWING SERIES	
C-SIZE		75640		MATERIAL NUMBER		CUSTOMER	
PSD		001		SD-75640-001		GENERAL MARKET	
H		3 OF 4		DOCUMENT NUMBER		DOC TYPE DOC PART REVISION	

**molex**

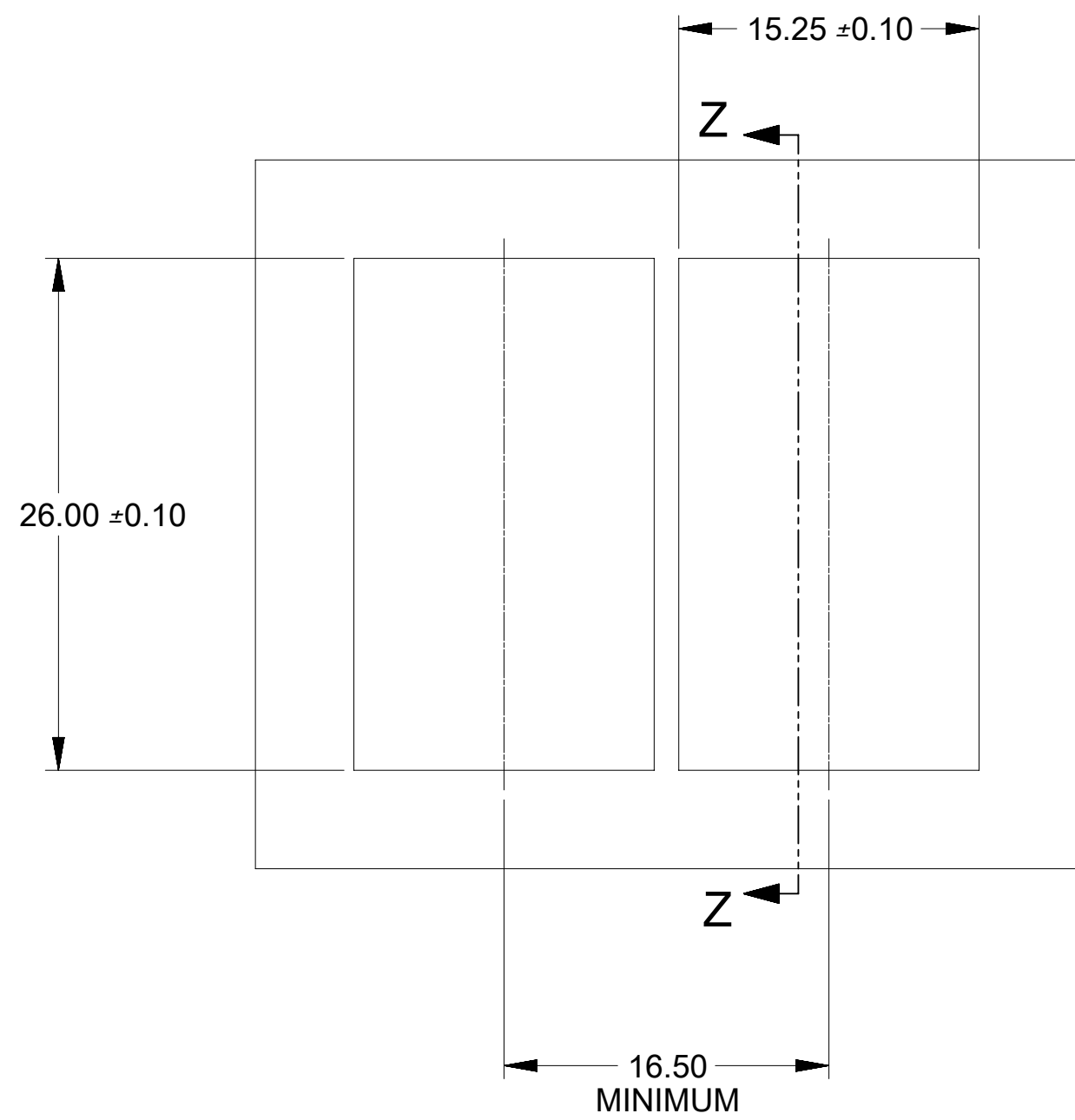
STACKED SFP 2X1 MEDIUM  
HEIGHT ASSY, PRESS-FIT TAILS WITH LIGHT PIPES

PRODUCT CUSTOMER DRAWING

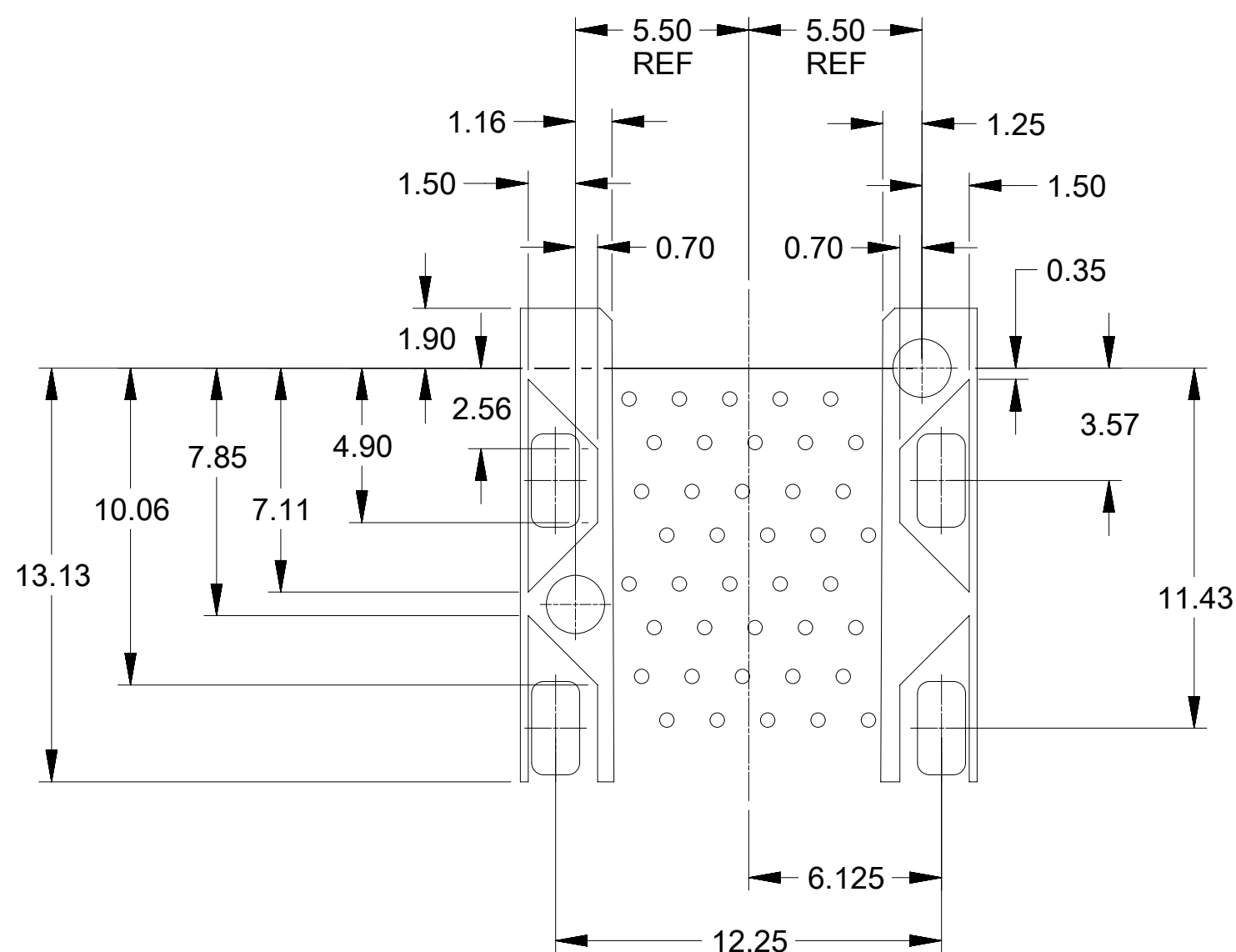
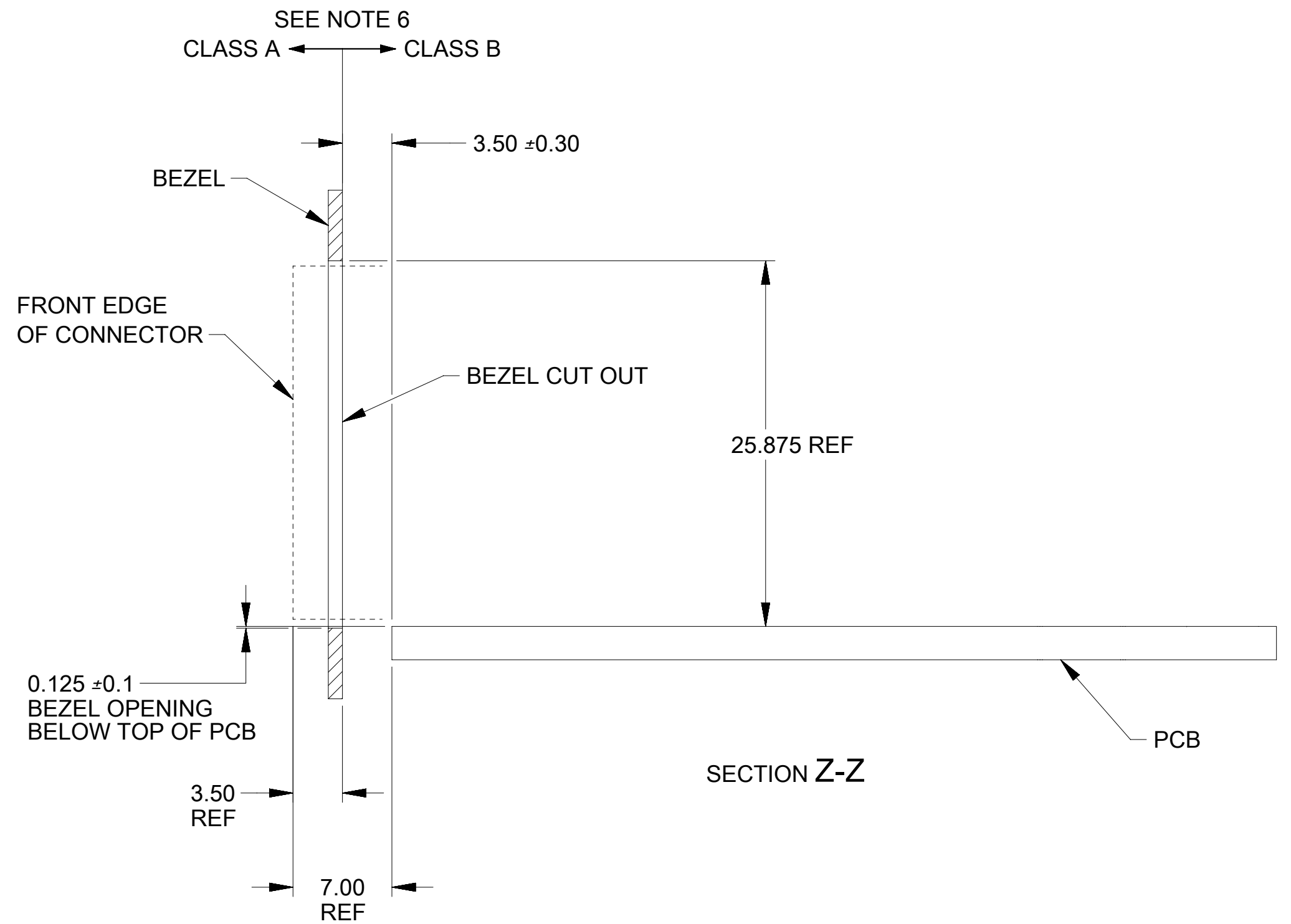
SD-75640-001

PSD 001 H

GENERAL MARKET 3 OF 4

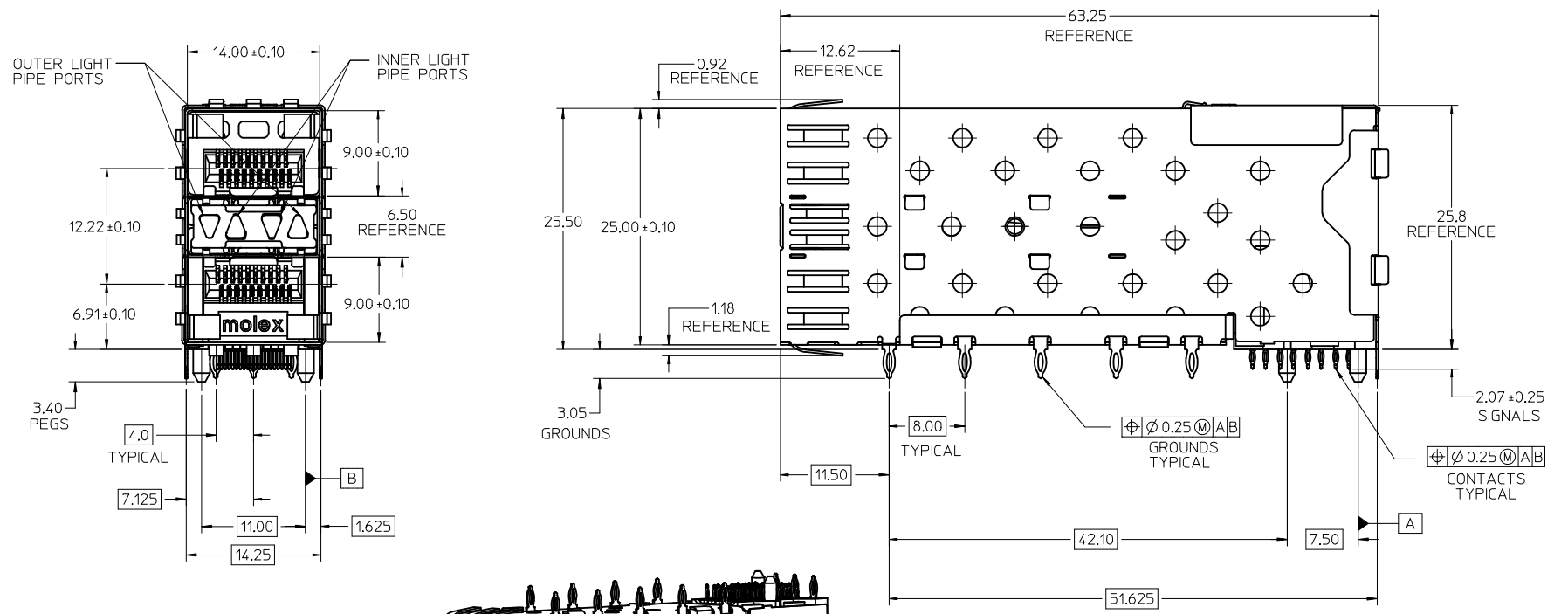


BEZEL CUT-OUT CENTER SPACING DETAIL  
BEZEL THICKNESS 0.8 - 2.6

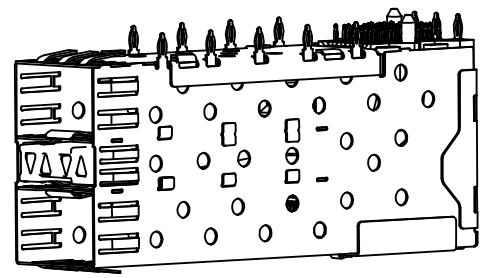


KEEPOUT ZONE DETAIL  
SCALE 5:1

THIS DRAWING CONTAINS INFORMATION THAT IS PROPRIETARY TO MOLEX ELECTRONIC TECHNOLOGIES, LLC AND SHOULD NOT BE USED WITHOUT WRITTEN PERMISSION									
SYMBOLS		DIMENSION UNITS		SCALE		CURRENT REV DESC: UPDATE TO NEW TAILS			
▽ = 0		mm		3:1		<b>molex</b> STACKED SFP 2X1 MEDIUM HEIGHT ASSY, PRESS-FIT TAILS WITH LIGHT PIPES			
▽ = 0		GENERAL TOLERANCES (UNLESS SPECIFIED)							
▽ = 0		ANGULAR TOL ± 5.0°				EC NO: 600319 DRWN: SVANG01 2018/06/04 CHK'D: RWHIPPLE 2018/06/05 APPR: CHIRSCHY 2018/06/05			
▽ = 0		4 PLACES ±				PRODUCT CUSTOMER DRAWING			
▽ = 0		3 PLACES ±				DOCUMENT NUMBER			
▽ = 0		2 PLACES ± 0.13				SD-75640-001			
▽ = 0		1 PLACE ± 0.25				DOC TYPE DOC PART REVISION			
▽ = 0		0 PLACES ±				PSD 001 H			
▽ = 0		DRAFT WHERE APPLICABLE MUST REMAIN WITHIN DIMENSIONS		THIRD ANGLE PROJECTION		DRAWING		SERIES	
▽ = 0				C-SIZE		75640		MATERIAL NUMBER CUSTOMER SHEET NUMBER	
▽ = 0						GENERAL MARKET		4 OF 4	

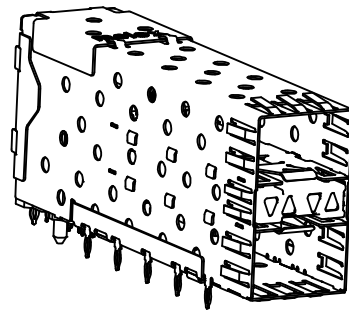
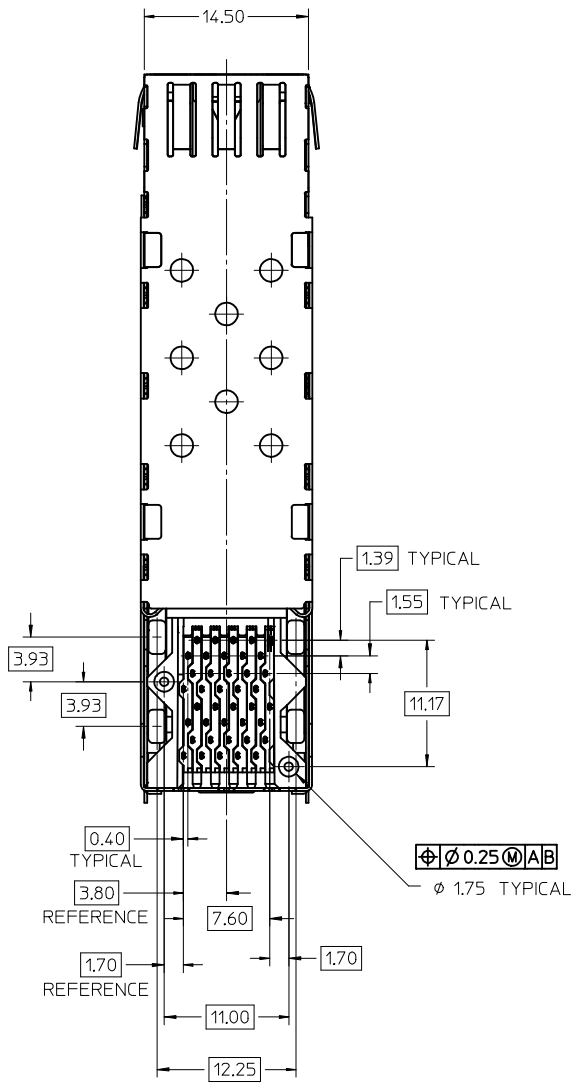


- NOTES
- MATERIAL:
    - CAGE: NICKEL SILVER, THICKNESS: 0.25 mm
    - CONNECTOR HOUSING: GLASS FILLED LIQUID CRYSTAL POLYMER (LCP), COLOR: BLACK
    - OVERMOLDED TERMINAL HOUSING: GLASS FILLED LIQUID CRYSTAL POLYMER (LCP), COLOR: BLACK
    - TERMINALS: BRASS
    - LIGHT PIPES: POLYCARBONITE, CLEAR
    - LIGHT PIPE HOUSING: ZINC
  - FINISH
    - LIGHT PIPE HOUSING: 80 MICROMETERS MINIMUM NICKEL OVER 30 MICROMETERS MINIMUM COPPER
    - TERMINALS: CONTACT AREA: 0.76 MICRONS MINIMUM HARD GOLD OVER A NICKEL UNDERPLATE.
    - COMPLIANT TAIL - TIN-LEAD OPTION: 0.76 - 1.52 MICROMETERS 90/10 TIN/LEAD OVER A NICKEL UNDERPLATE
    - COMPLIANT TAIL - TIN OPTION: 0.76 - 1.52 MICROMETERS TIN OVER A NICKEL UNDERPLATE
  - REFER TO PS-75310-001 PRODUCT SPEC FOR ALL ELECTRICAL, MECHANICAL, AND ENVIRONMENTAL SPECIFICATIONS.
  - LIGHT PIPE PAD LAYOUT IS FOR 0805 LOW-PROFILE LED PACKAGE. FOR OTHER RECOMMENDED LAYOUTS REFER TO MOLEX'S REPORT TS-75310-001.
  - REFER TO PK-75462-001 FOR ALL PACKAGING SPECIFICATIONS.
  - PART COMPLIES WITH COSMETIC SPECIFICATION PS-45499-002. SEE SHEET 4 SECTION Z-Z FOR SURFACE CLASSIFICATIONS. UNDERSIDE OF CAGE COMPLIES WITH CLASS "C".



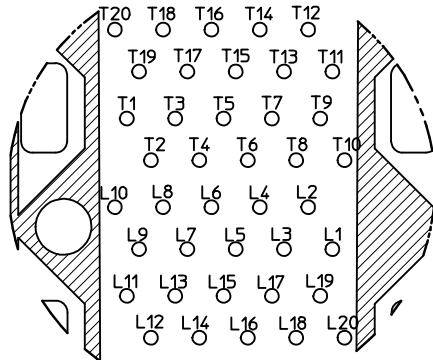
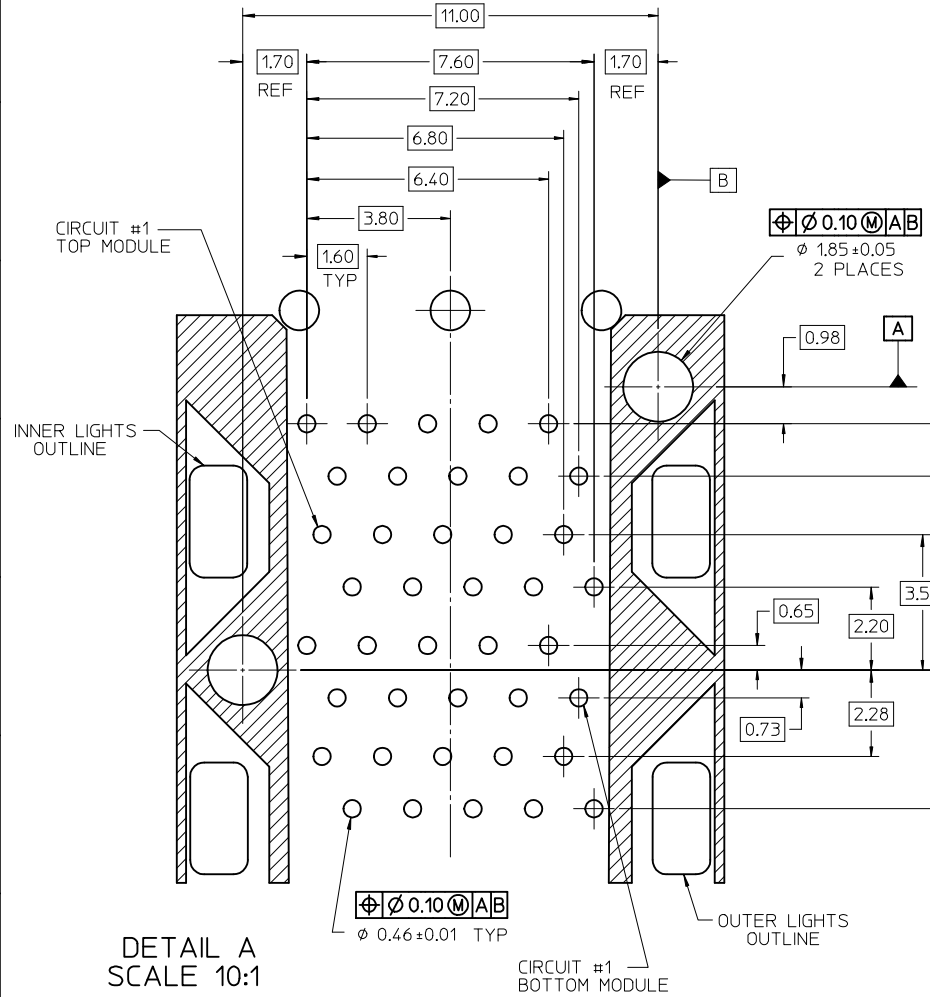
PART NUMBER	DESCRIPTION	VIEW	COMPLIANT TAIL PLATING
75640-5005	4 PORT LIGHT PIPE	SEE PG 2	TIN

<b>ADD NOTE 6</b> EC NO: UCP2008-0867 DRWN: MSBARRA 2007/11/13 CHKD: 2007/11/30 APPR: SMILLER 2007/12/03	QUALITY SYMBOLS ▽ - 0 ▽ - 0	GENERAL TOLERANCES (UNLESS SPECIFIED) 4 PLACES ± --- ± --- 3 PLACES ± --- ± --- 2 PLACES ± 0.13 ± --- 1 PLACE ± 0.25 ± --- ANGULAR ± 5 °	SCALE 3:1	DESIGN UNITS METRIC	THIRD ANGLE PROJECTION	REVISE ON CAD ONLY
			DIMENSION STYLE MM ONLY	TITLE STACKED SFP 2X1 MED HT ASS'Y, P-FIT TAILS W/ LIGHT PIPES - 45 DEG MNT		
		DRAFT WHERE APPLICABLE MUST REMAIN WITHIN DIMENSIONS	DRAWN BY BBARKER	DATE 2006/12/22	MATERIAL NO. SEE CHART	DOCUMENT NO. SD-75640-003
			CHECKED BY DMORGAN	DATE 2006/12/22		
			APPROVED BY SMILLER	DATE 2006/12/22		
			THIS DRAWING CONTAINS INFORMATION THAT IS PROPRIETARY TO MOLEX INCORPORATED AND SHOULD NOT BE USED WITHOUT WRITTEN PERMISSION			



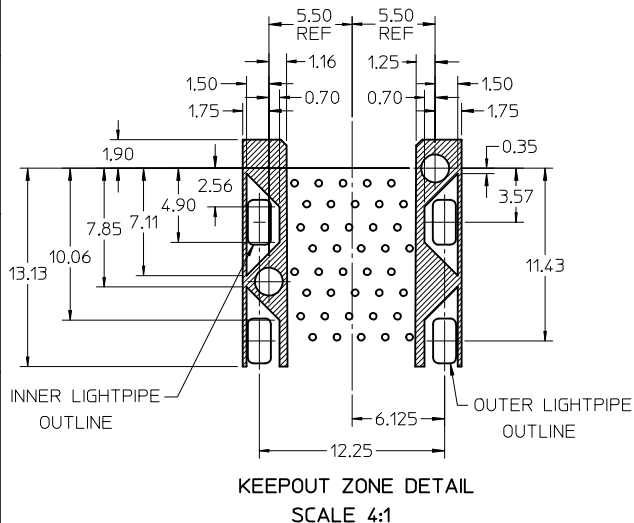
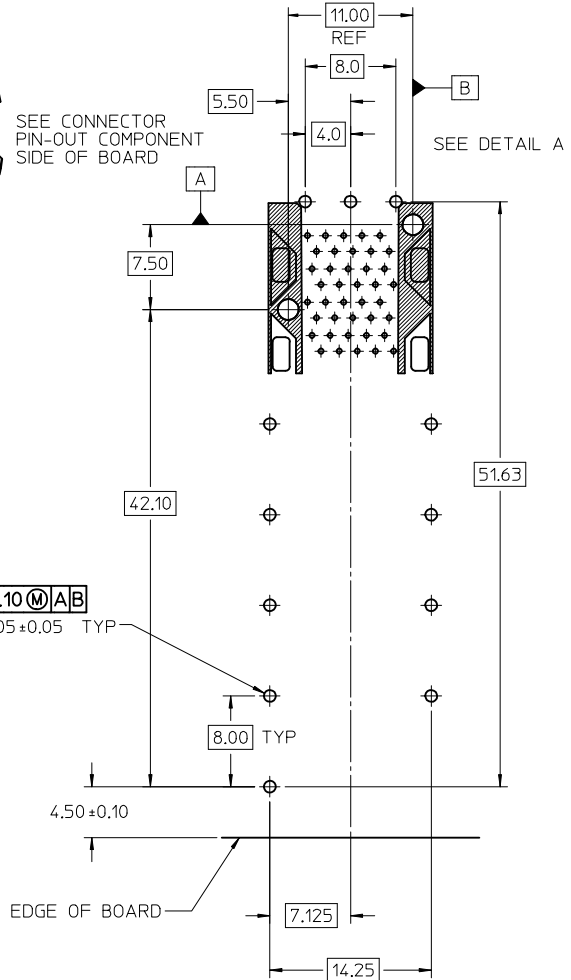
756405005  
WITH 4 LIGHT PIPE PORTS

UPDATE REV LEVEL EC NO: UCP2008-0867 DRWN: MSBARRA 2007/11/13 CHKD: 2007/11/30 APPR: SMILLER 2007/12/03	QUALITY SYMBOLS ▽ - 0 ∇ - 0	GENERAL TOLERANCES (UNLESS SPECIFIED)		SCALE 3:1	DESIGN UNITS METRIC	THIRD ANGLE PROJECTION	REVISE ON CAD ONLY		
		4 PLACES ± --- ± ---	3 PLACES ± --- ± ---	DIMENSION STYLE MM ONLY		TITLE STACKED SFP 2X1 MED HT ASS'Y, P-FIT TAILS W/ LIGHT PIPES - 45 DEG MNT			
		2 PLACES ± 0.13 ± ---	1 PLACE ± 0.25 ± ---	ANGULAR ± 5 °		DRAWN BY BBARKER DATE 2006/12/22	MOLEX INCORPORATED		
		DRAFT WHERE APPLICABLE MUST REMAIN WITHIN DIMENSIONS		APPROVED BY SMILLER DATE 2006/12/22	MATERIAL NO. SEE CHART	DOCUMENT NO. SD-75640-003	SHEET NO. 2 OF 4		

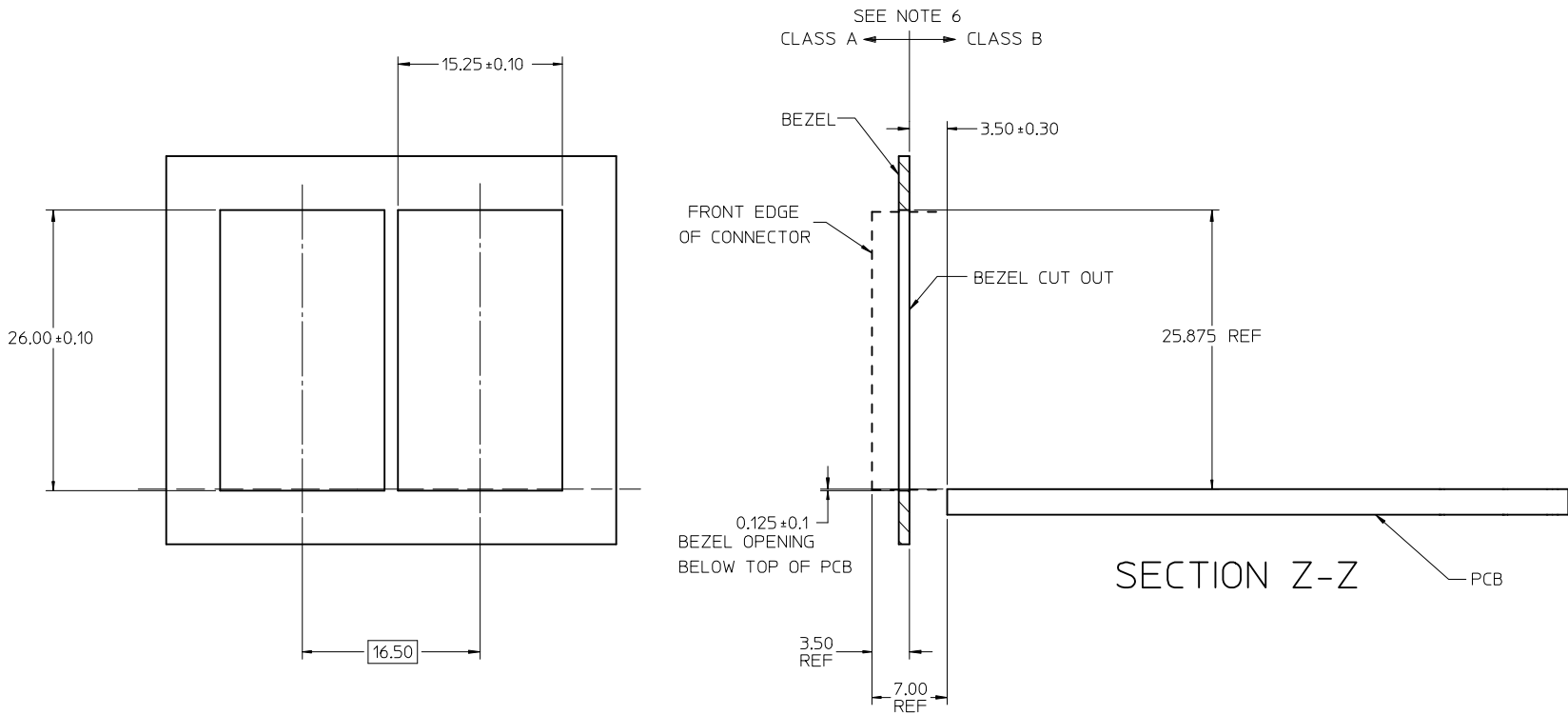


SEE CONNECTOR PIN-OUT COMPONENT SIDE OF BOARD

SEE DETAIL A



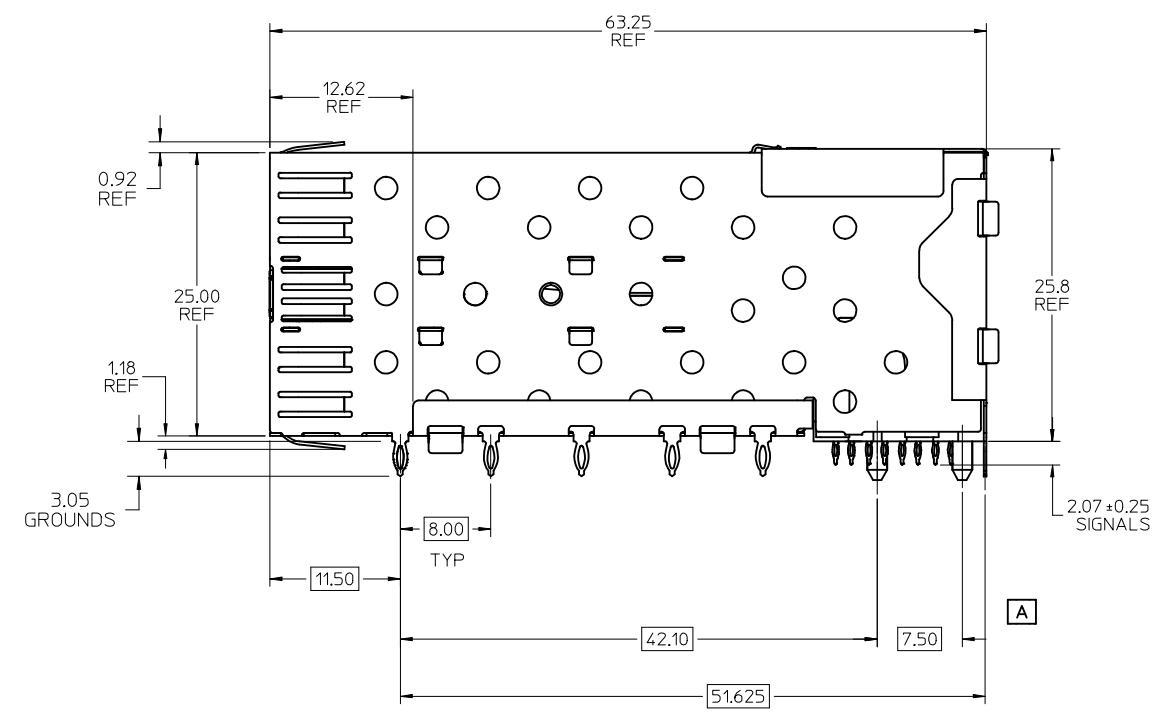
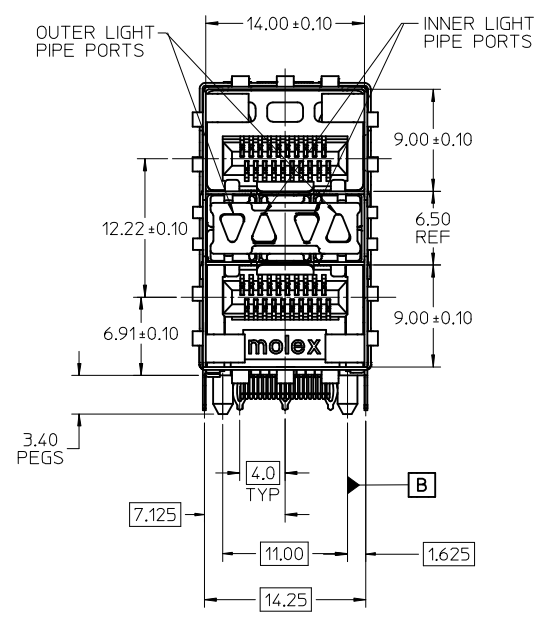
UPDATE REV LEVEL EC NO: UCP2008-0867 DRWN: MSBARRA 2007/11/13 CHKD: 2007/11/30 APPR: SMILLER 2007/12/03	QUALITY SYMBOLS $\nabla \cdot 0$ $\nabla \cdot 0$	GENERAL TOLERANCES (UNLESS SPECIFIED)		SCALE 3:1	DESIGN UNITS METRIC	THIRD ANGLE PROJECTION	REVISE ON CAD ONLY	
		4 PLACES ± --- ± ---	3 PLACES ± --- ± ---	2 PLACES ± 0.13 ± ---	1 PLACE ± 0.25 ± ---	DIMENSION STYLE MM ONLY		TITLE STACKED SFP 2X1 MED HT ASS'Y, P-FIT TAILS W/ LIGHT PIPES - 45 DEG MNT
		ANGULAR ± 5 °		DRAFT WHERE APPLICABLE		DRAWN BY BBARKER DATE 2006/12/22	CHECKED BY DMORGAN DATE 2006/12/22	MATERIAL NO. SEE CHART DOCUMENT NO. SD-75640-003
		MUST REMAIN WITHIN DIMENSIONS		APPROVED BY SMILLER DATE 2006/12/22	THIS DRAWING CONTAINS INFORMATION THAT IS PROPRIETARY TO MOLEX INCORPORATED AND SHOULD NOT BE USED WITHOUT WRITTEN PERMISSION		SHEET NO. 3 OF 4	



BEZEL CUT-OUT CENTER SPACING DETAIL  
BEZEL THICKNESS 0.8-2.6

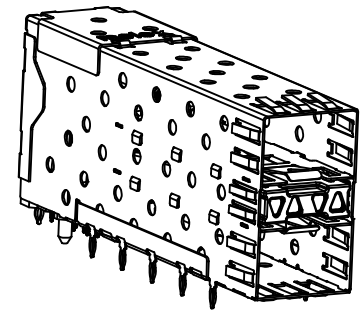
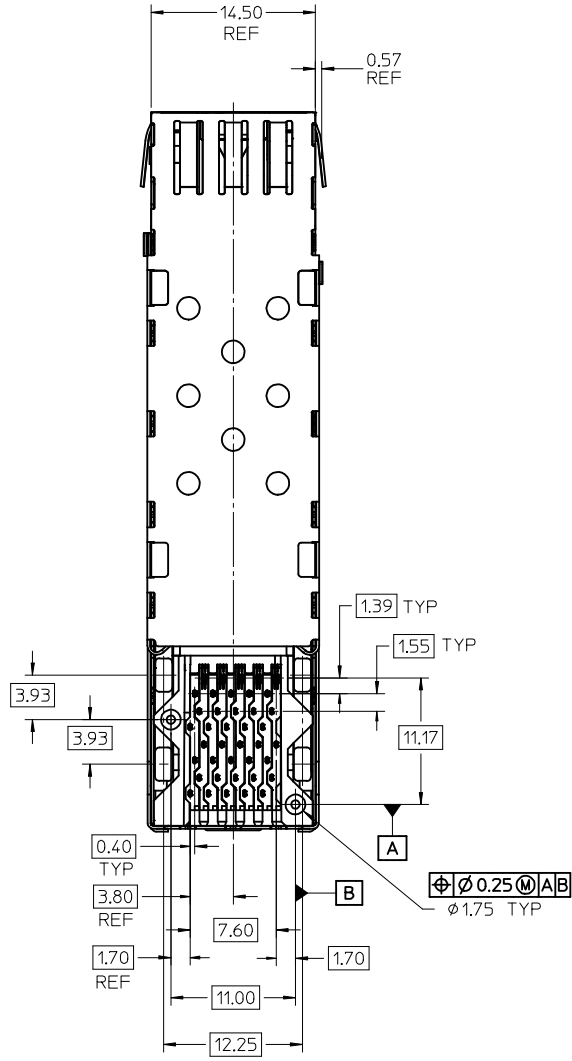
COSMETIC CLASS EC NO: UCP2008-0867 DRWN: MSBARRA 2007/11/13 CHKD: 2007/11/30 APPR: SMILLER 2007/12/03	QUALITY SYMBOLS	GENERAL TOLERANCES (UNLESS SPECIFIED)		SCALE 3:1	DESIGN UNITS METRIC	THIRD ANGLE PROJECTION	REVISE ON CAD ONLY
	▼ - 0 ∇ - 0	mm	INCH	DIMENSION STYLE MM ONLY		TITLE	
		4 PLACES ± ---	± ---	DRAWN BY DATE		STACKED SFP 2X1 MED HT ASS'Y, P-FIT TAILS W/ LIGHT PIPES - 45 DEG MNT	
		3 PLACES ± ---	± ---	BBARKER 2006/12/22		MATERIAL NO. DOCUMENT NO. SHEET NO.	
	2 PLACES ± 0.13	± ---	CHECKED BY DATE		SEE CHART SD-75640-003 4 OF 4		
	1 PLACE ± 0.25	± ---	DMORGAN 2006/12/22		MATERIAL NO. DOCUMENT NO. SHEET NO.		
	ANGULAR ± 5 °		APPROVED BY DATE		THIS DRAWING CONTAINS INFORMATION THAT IS PROPRIETARY TO MOLEX INCORPORATED AND SHOULD NOT BE USED WITHOUT WRITTEN PERMISSION		
	DRAFT WHERE APPLICABLE MUST REMAIN WITHIN DIMENSIONS		SMILLER 2006/12/22				



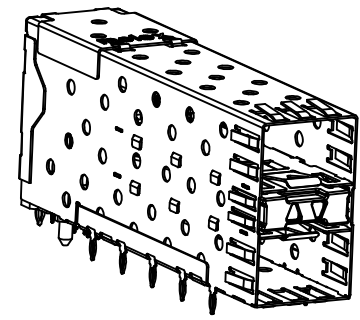


PART NUMBER	DESCRIPTION	VIEW	COMPLIANT TAIL PLATING
75640-2001	4 PORT LIGHT PIPE	SEE PG 2	TIN
	INNER 2 PORTS	SEE PG 2	TIN
	OUTER 2 PORTS	SEE PG 2	TIN

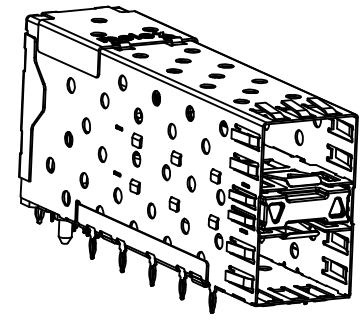
UPDATE ISO VIEWS EC NO: UCP2015-5229 DRWNSVANG01 2015/06/17 CHKD:BBARKER 2015/06/17 APPR:SMILLER 2015/06/30	QUALITY SYMBOLS	GENERAL TOLERANCES (UNLESS SPECIFIED)	DIMENSION STYLE	SCALE	DESIGN UNITS	THIRD ANGLE PROJECTION
	▽=0	mm INCH	MM ONLY	3:1	METRIC	
	▽=0	4 PLACES ± --- ± ---	DRAWN BY DATE			TITLE
	▽=0	3 PLACES ± --- ± ---	BBARKER 2009/11/06	CHECKED BY DATE		
		2 PLACES ± 0.13 ± ---	MIBARRA 2009/11/06	APPROVED BY DATE		<b>molex</b>
		1 PLACE ± 0.25 ± ---	SMILLER 2010/12/09			DOCUMENT NO. SD-75640-004
		0 PLACE ± --- ± ---				SHEET NO. 1 OF 4
		ANGULAR ± 5°	MATERIAL NO.			
		DRAFT WHERE APPLICABLE MUST REMAIN WITHIN DIMENSIONS	SEE CHART			
			SIZE	THIS DRAWING CONTAINS INFORMATION THAT IS PROPRIETARY TO MOLEX INCORPORATED AND SHOULD NOT BE USED WITHOUT WRITTEN PERMISSION		



756402001  
WITH 4 LIGHT PIPE PORTS

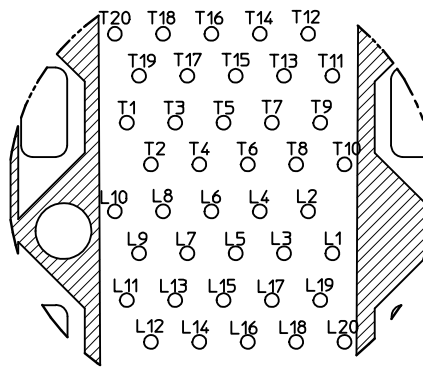
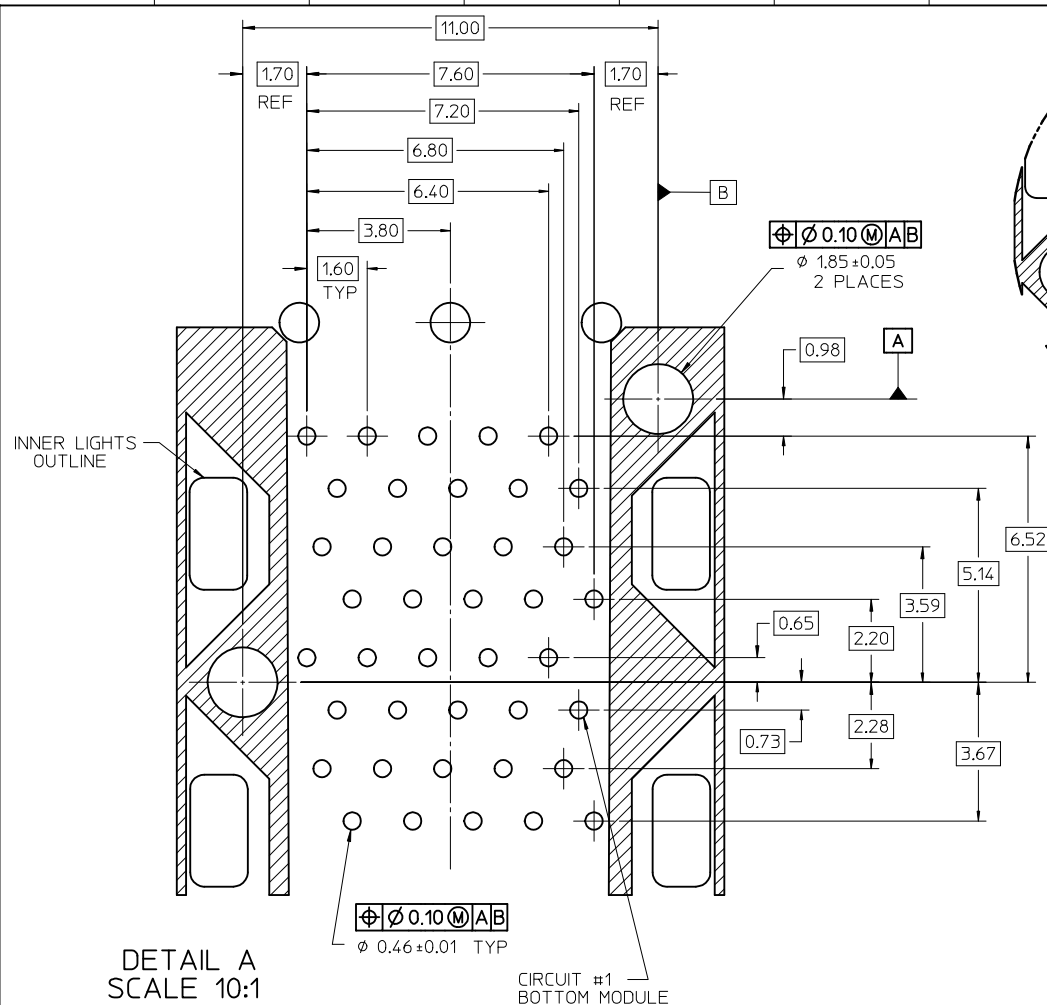


WITH INNER LIGHT PIPE PORTS

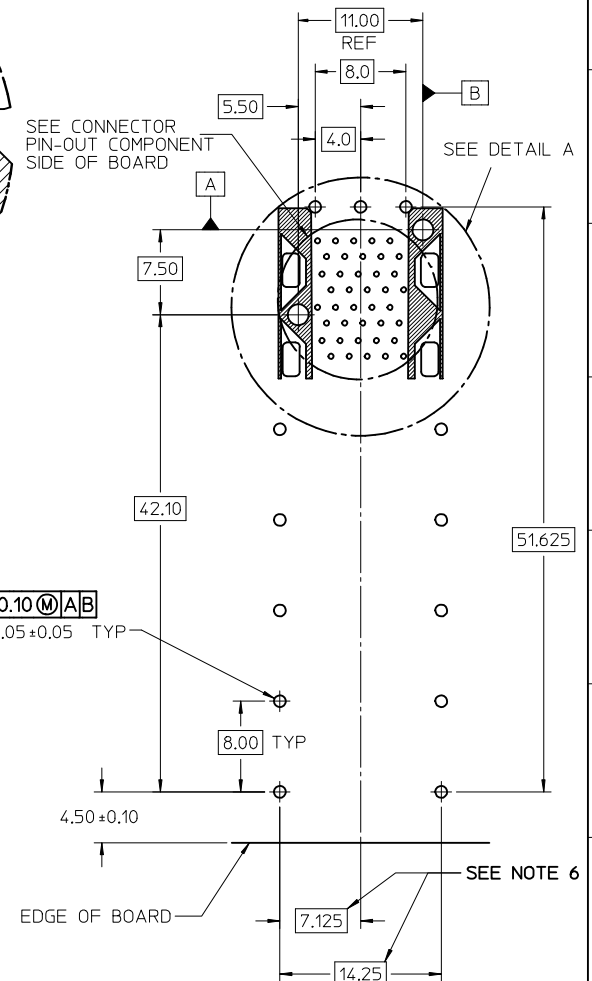


WITH OUTER LIGHT PIPE PORTS

SEE SHEET 1 EC NO: UCP2015-5229 DRWNSYANG01 2015/06/17 CHKD:BBARKER 2015/06/17 APPR:SMILLER 2015/06/30	QUALITY SYMBOLS	GENERAL TOLERANCES (UNLESS SPECIFIED)		DIMENSION STYLE MM ONLY		SCALE 3:1	DESIGN UNITS METRIC	THIRD ANGLE PROJECTION	
	▽=0	mm	INCH	DRAWN BY	DATE	TITTLE STACKED SFP 2X1 MEDIUM HEIGHT ASS'Y, PRESS-FIT TAILS WITH LIGHT PIPES <b>molex</b>			
	▽=0	4 PLACES ± ---	± ---	BBARKER	2009/11/06				
	▽=0	3 PLACES ± ---	± ---	CHECKED BY	DATE	DOCUMENT NO. SD-75640-004 SHEET NO. 2 OF 4			
▽=0	2 PLACES ± 0.13	± ---	MIBARRA	2009/11/06					
	1 PLACE ± 0.25	± ---	APPROVED BY	DATE	THIS DRAWING CONTAINS INFORMATION THAT IS PROPRIETARY TO MOLEX INCORPORATED AND SHOULD NOT BE USED WITHOUT WRITTEN PERMISSION				
	0 PLACE ± ---	± ---	SMILLER	2010/12/09					
		ANGULAR ± 5 °		MATERIAL NO.					
		DRAFT WHERE APPLICABLE MUST REMAIN WITHIN DIMENSIONS		SEE SHEET 1					

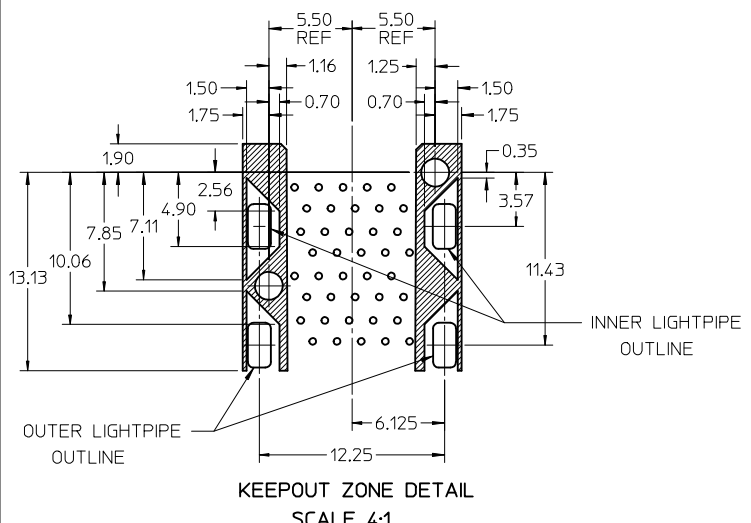


CONNECTOR PIN-OUT COMPONENT SIDE OF BOARD SCALE 10:1



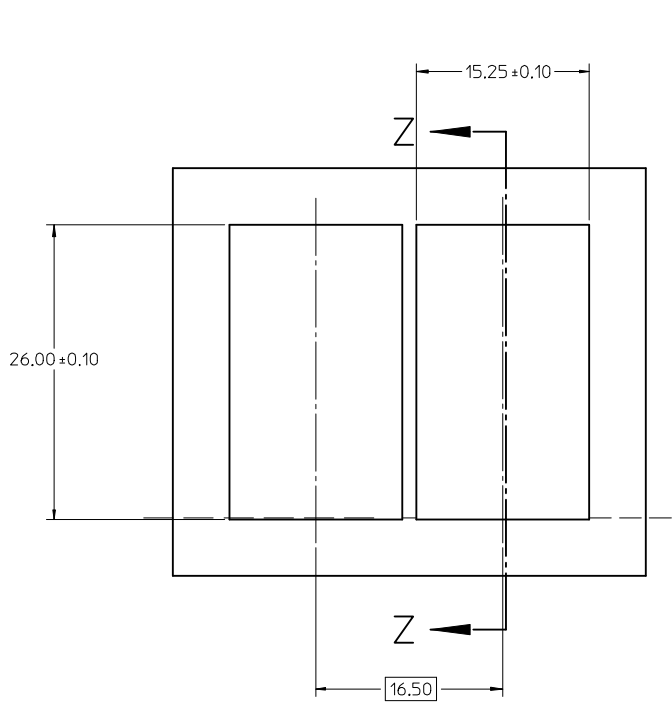
RECOMMENDED PCB LAYOUT - COMPONENT SIDE  
MINIMUM PCB THICKNESS OF 1.6mm

DETAIL A SCALE 10:1

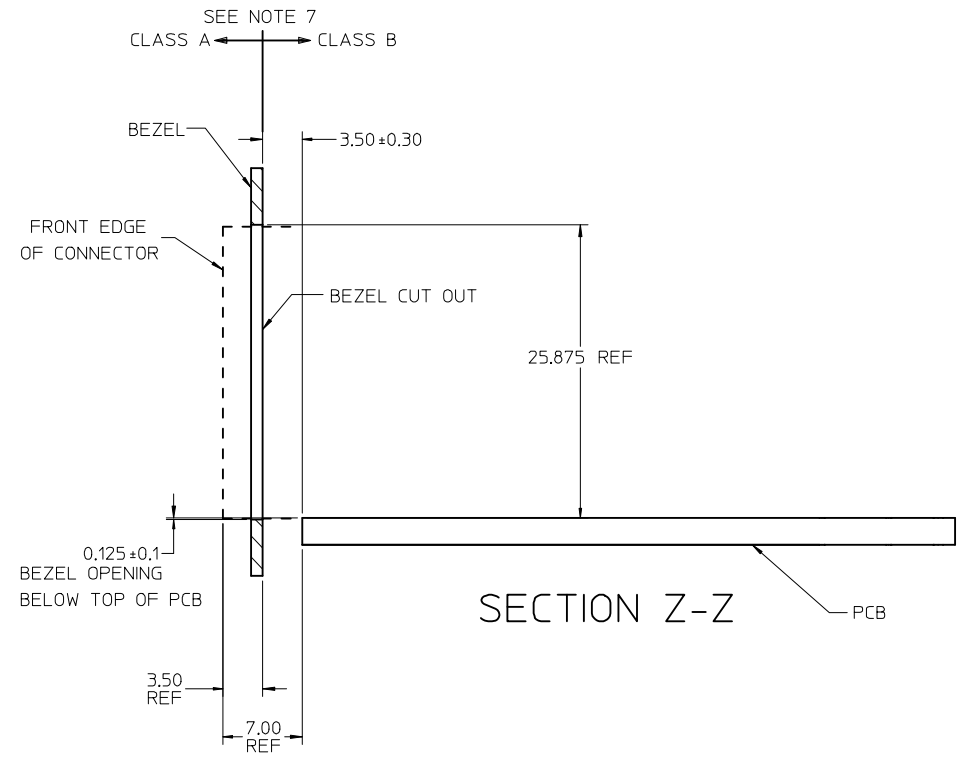


KEEPPOINT ZONE DETAIL SCALE 4:1

SEE SHEET 1 EC NO: UCP2015-5229 DRAWN BY: DRWNSVANG01 CHECKED BY: CHYKD-BARKER APPR: SMILLER DATE: 2015/06/17 DATE: 2015/06/17 DATE: 2015/06/30	QUALITY SYMBOLS ▽=0 ▽=0 ▽=0	GENERAL TOLERANCES (UNLESS SPECIFIED)		DIMENSION STYLE MM ONLY		SCALE 3:1	DESIGN UNITS METRIC	THIRD ANGLE PROJECTION	
		mm	INCH	DRAWN BY BBARKER	DATE 2009/11/06	TITLE STACKED SFP 2X1 MEDIUM HEIGHT ASS'Y, PRESS-FIT TAILS WITH LIGHT PIPES	molex		
4 PLACES ± --- ± ---		CHECKED BY MIBARRA	DATE 2009/11/06	APPROVED BY SMILLER		DATE 2010/12/09			
3 PLACES ± --- ± ---		ANGULAR ± 5 °		MATERIAL NO.		THIS DRAWING CONTAINS INFORMATION THAT IS PROPRIETARY TO MOLEX INCORPORATED AND SHOULD NOT BE USED WITHOUT WRITTEN PERMISSION			
2 PLACES ± 0.13 ± ---		DRAFT WHERE APPLICABLE MUST REMAIN WITHIN DIMENSIONS		SEE SHEET 1					
1 PLACE ± 0.25 ± ---				SIZE C					
0 PLACE ± --- ± ---									



BEZEL CUT-OUT CENTER SPACING DETAIL  
BEZEL THICKNESS 0.8-2.6



SEE SHEET 1 EC NO: UCP2015-5229 DRWNSVANG01 2015/06/17 CHKD:BBARKER 2015/06/17 APPR:SMILLER 2015/06/30	QUALITY SYMBOLS	GENERAL TOLERANCES (UNLESS SPECIFIED)		DIMENSION STYLE MM ONLY		SCALE 3:1	DESIGN UNITS METRIC	THIRD ANGLE PROJECTION
	▽=0	mm	INCH	DRAWN BY BBARKER	DATE 2009/11/06	TITLE STACKED SFP 2X1 MEDIUM HEIGHT ASS'Y, PRESS-FIT TAILS WITH LIGHT PIPES <b>molex</b>		
	▽=0	4 PLACES ± ---	± ---	CHECKED BY MIBARRA	DATE 2009/11/06			
	▽=0	ANGULAR ± 5 °		APPROVED BY SMILLER		DATE 2010/12/09	DOCUMENT NO. SD-75640-004	SHEET NO. 4 OF 4
REV	DRAFT WHERE APPLICABLE MUST REMAIN WITHIN DIMENSIONS		SIZE C	THIS DRAWING CONTAINS INFORMATION THAT IS PROPRIETARY TO MOLEX INCORPORATED AND SHOULD NOT BE USED WITHOUT WRITTEN PERMISSION				