

REVISIONS				
ECN NO	DATE	REVISION	DESCRIPTION	CHANGER
CY14-5284	2013/10/11	B	CHANGE DP CONNECTOR AND UPDATE BOM	AHOU
CY14-6401	2014/03/31	C	1.CHANGE SHELL 2. CHANGE CONNECTOR	AHOU
CY15-6131	2015/06/12	D	CHANGE P1 SIDE CONNECTOR, INNER MOLD AND OUTER MOLD	AHOU

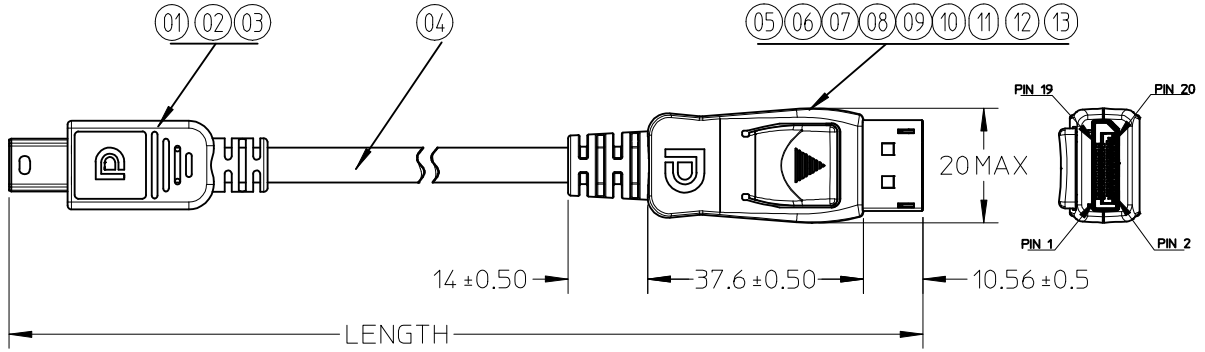
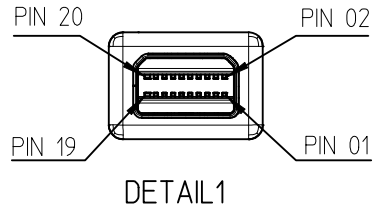
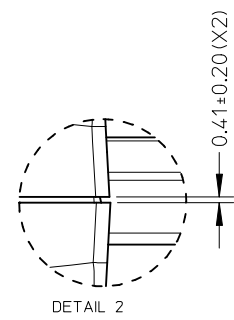
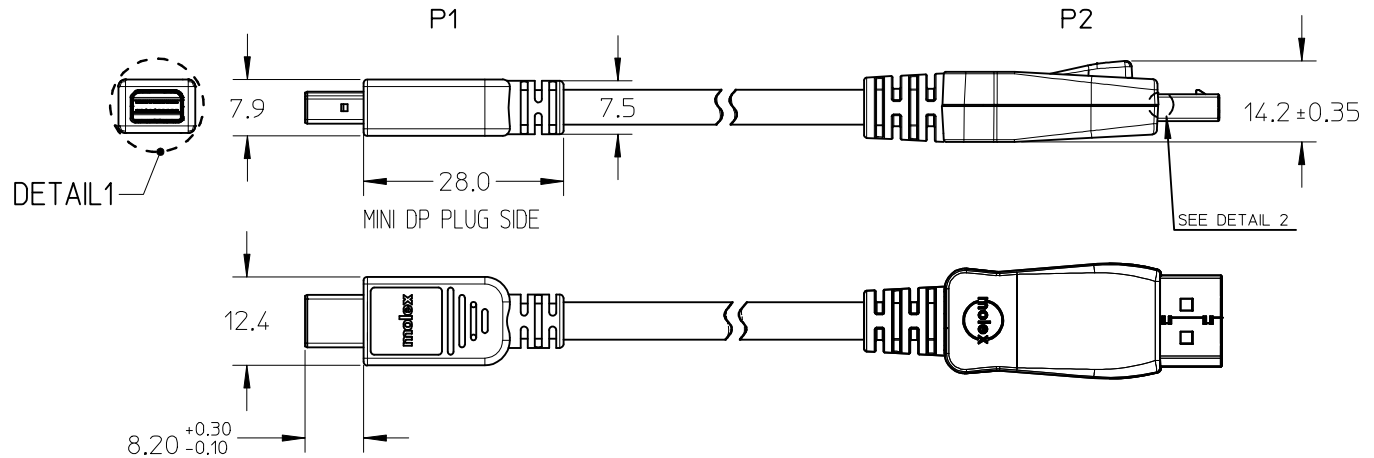


TABLE-1:

△ B	PART NO.	LENGTH
△ B	687850003	2000±40
△ B	687850002	1500±30
△ B	687850001	1000±20



EC NO: CPG2015-6535 DRW/NXJGU001 CHK/D:AHOU APPR:FNIE	2015/06/19 2015/06/19 2015/06/23	QUALITY SYMBOLS ▽=0 ◻=0	GENERAL TOLERANCES (UNLESS SPECIFIED)		DIMENSION STYLE <b>MM ONLY</b>		SCALE ---	DESIGN UNITS <b>METRIC</b>	THIRD ANGLE PROJECTION
			4 PLACES ± --- ± --- 3 PLACES ± --- ± --- 2 PLACES ± 0.25 ± --- 1 PLACE ± 0.5 ± --- ANGULAR ± .5 °	mm INCH ± --- ± --- ± --- ± --- ± 0.25 ± --- ± 0.5 ± ---	DRAWN BY JASON.LU	DATE 2009/02/06	TITLE <b>MINIDP PLUG TO STD DP PLUG CABLE ASSY</b>		
DRAFT WHERE APPLICABLE MUST REMAIN WITHIN DIMENSIONS		MATERIAL NO. <b>SEE TABLE-1</b>		APPROVED BY CHRIS		DATE 2009/02/06		MOLEX INCORPORATED	
D REV		THIS DRAWING CONTAINS INFORMATION THAT IS PROPRIETARY TO MOLEX INCORPORATED AND SHOULD NOT BE USED WITHOUT WRITTEN PERMISSION		DOCUMENT NO. <b>SD-68785-0001</b>		SHEET NO. <b>1 OF 2</b>			

7

6

5

4

3

2

1

## WIRING DIAGRAM

MINI DP PLUG SOURCE SIDE	WIRE COLOR	DP PLUG SINK SIDE	FUNCTION
PIN 01	DRAIN WIRE	PIN 11	GROUND
PIN 03	WHITE	PIN 12	ML0+
PIN 05	BROWN	PIN 10	ML0-
PIN 07	DRAIN WIRE	PIN 08	GROUND
PIN 09	WHITE	PIN 09	ML1+
PIN 11	RED	PIN 07	ML1-
PIN 13	DRAIN WIRE	PIN 05	GROUND
PIN 15	WHITE	PIN 06	ML2+
PIN 17	GREEN	PIN 04	ML2-
PIN 19	RED	PIN 19	GROUND
PIN 02	ORANGE	PIN 18	HOT PLUG DETECT
PIN 04	YELLOW	PIN 13	CONFIG 1
PIN 06	BROWN	PIN 14	CONFIG 2
PIN 08	DRAIN WIRE	PIN 02	GROUND
PIN 10	WHITE	PIN 03	ML3+
PIN 12	BLUE	PIN 01	ML3-
PIN 14	DRAIN WIRE	PIN 16	GROUND
PIN 16	WHITE	PIN 15	AUX+
PIN 18	ORANGE	PIN 17	AUX-
PIN 20	---	PIN 20	NO CONNECTION
SHELL	BRAID	SHELL	GROUND

## NOTES:

- APPEARANCE REQUIREMENT: UNLESS OTHER SPECIFIED FOLLOW CORRELATIVE MOLEX WORKMANSHIP STANDARD.
- MECHANICAL SPECIFICATION:
  - PULL FORCE FOR CABLE: 5.0 KGF FOR ONE MINUTE.
  - FLEXING TEST FOR STRAIN RELIEF: 100 CYCLES IN EACH OF TWO PLANES PER EIA 364-41.
- ELECTRICAL CHARACTERISTIC: MUST MEET MOLEX ES-000 & ES-042.
- ASSEMBLY REQUIREMENTS:
  - THE JOINT BETWEEN DP PLUG AND METAL CAN MUST BE SOLDERED.
- THIS PRODUCT MUST MEET THE MOLEX CHEMICAL SUBSTANCE REQUIREMENT: MOLEX ES-40000-5016.

	13	STRAIN RELIEF FOR DP BLACK	---	1 PCS	
	12	COVER-UP FOR DISPLAYPORT	---	1 PCS	
	11	COVER-DOWN FOR DISPLAYPORT	---	1 PCS	
	10	LATCH FOR DISPLAYPORT 2	---	1 PCS	
	09	LATCH FOR DISPLAYPORT 1	---	1 PCS	
	08	INNER-SHELL-LOWER FOR DISPLAYPORT			
	07	INNER-SHELL-UPPER FOR DISPLAYPORT		1 PCS	
	06	PLUG SUB-ASSY FOR DISPLAYPORT	ABS+PC	1 PCS	
	05	PRE-CUT COPPER FOIL 14 x 40mm T=25u	COPPER	1 PCS	
	04	MINIDP CABLE, 5PX34+4CX32AWG, Ø4.9MM	---	---	
		03	Double Elec.PRE-CUT C.FOIL 35X18mm T=25u	---	1 PCS
		02	wire holder 34AWG DP mini-DP to mini-DP	---	1 PCS
		01	auto-soldering type Mini-DP, 15u plated	---	1 PCS
	ITEM	DESCRIPTION	MATERIAL	USAGE	

EC NO: CPG2015-6535 2015/06/19 DRW:NXJGU001 CHKD:AH00 APPR:FNIE 2015/06/23	QUALITY SYMBOLS ▼=0 ◻=0	GENERAL TOLERANCES (UNLESS SPECIFIED)		DIMENSION STYLE MM ONLY		SCALE ----	DESIGN UNITS METRIC	THIRD ANGLE PROJECTION	
				DRAWN BY JASON.LU	DATE 2009/02/06	TITLE MINIDP PLUG TO STD DP PLUG CABLE ASSY			
		4 PLACES	± ---	± ---	CHECKED BY CHRIS	DATE 2009/02/06	MOLEX INCORPORATED		
		3 PLACES	± ---	± ---	APPROVED BY		DOCUMENT NO. SD-68785-0001		SHEET NO. 2 OF 2
		2 PLACES	± 0.25	± ---	DRAFT WHERE APPLICABLE MUST REMAIN WITHIN DIMENSIONS				
		1 PLACE	± 0.5	± ---					
		ANGULAR ± .5 °		SIZE A 4	THIS DRAWING CONTAINS INFORMATION THAT IS PROPRIETARY TO MOLEX INCORPORATED AND SHOULD NOT BE USED WITHOUT WRITTEN PERMISSION				

6

5

4

3

2

1

REVISIONS				
ECN NO	DATE	REVISION	DESCRIPTION	CHANGER
CY14-5284	2013/10/11	B	CHANGE DP CONNECTOR AND UPDATE BOM	AHOU
CY14-6401	2014/03/31	C	1.CHANGE SHELL 2. CHANGE CONNECTOR	AHOU
CY15-6131	2015/06/12	D	CHANGE P1 SIDE CONNECTOR, INNER MOLD AND OUTER MOLD	AHOU

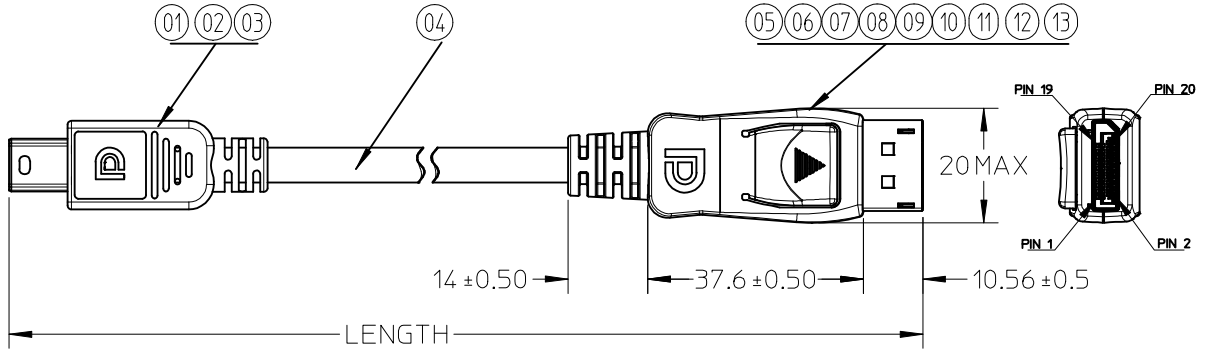
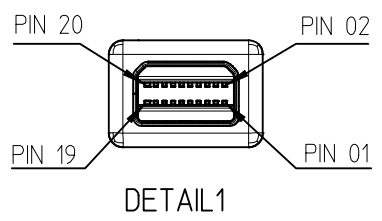
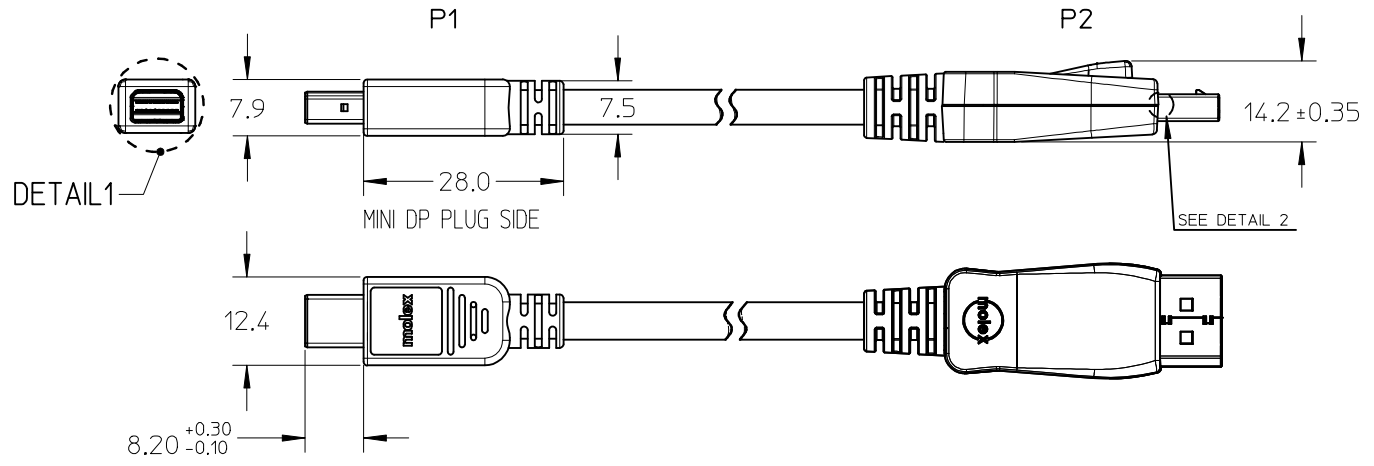


TABLE-1:

△ B	PART NO.	LENGTH
△ B	687850003	2000±40
△ B	687850002	1500±30
△ B	687850001	1000±20



EC NO: CPG2015-6535 DRW/NXJGU001 CHK/D:AHOU APPR:FNIE	DESCRIPTION 2015/06/19 2015/06/19 2015/06/23	QUALITY SYMBOLS ▽=0 ◻=0	GENERAL TOLERANCES (UNLESS SPECIFIED) mm INCH	DIMENSION STYLE MM ONLY	SCALE ---	DESIGN UNITS METRIC	THIRD ANGLE PROJECTION
		4 PLACES ± --- ± --- 3 PLACES ± --- ± --- 2 PLACES ± 0.25 ± --- 1 PLACE ± 0.5 ± --- ANGULAR ± .5 °	DRAWN BY JASON.LU	DATE 2009/02/06	TITLE MINIDP PLUG TO STD DP PLUG CABLE ASSY		
DRAFT WHERE APPLICABLE MUST REMAIN WITHIN DIMENSIONS		MATERIAL NO. SEE TABLE-1		MOLEX INCORPORATED		SHEET NO. 1 OF 2	DOCUMENT NO. SD-68785-0001
THIS DRAWING CONTAINS INFORMATION THAT IS PROPRIETARY TO MOLEX INCORPORATED AND SHOULD NOT BE USED WITHOUT WRITTEN PERMISSION							

7

6

5

4

3

2

1

## WIRING DIAGRAM

MINI DP PLUG SOURCE SIDE	WIRE COLOR	DP PLUG SINK SIDE	FUNCTION
PIN 01	DRAIN WIRE	PIN 11	GROUND
PIN 03	WHITE	PIN 12	ML0+
PIN 05	BROWN	PIN 10	ML0-
PIN 07	DRAIN WIRE	PIN 08	GROUND
PIN 09	WHITE	PIN 09	ML1+
PIN 11	RED	PIN 07	ML1-
PIN 13	DRAIN WIRE	PIN 05	GROUND
PIN 15	WHITE	PIN 06	ML2+
PIN 17	GREEN	PIN 04	ML2-
PIN 19	RED	PIN 19	GROUND
PIN 02	ORANGE	PIN 18	HOT PLUG DETECT
PIN 04	YELLOW	PIN 13	CONFIG 1
PIN 06	BROWN	PIN 14	CONFIG 2
PIN 08	DRAIN WIRE	PIN 02	GROUND
PIN 10	WHITE	PIN 03	ML3+
PIN 12	BLUE	PIN 01	ML3-
PIN 14	DRAIN WIRE	PIN 16	GROUND
PIN 16	WHITE	PIN 15	AUX+
PIN 18	ORANGE	PIN 17	AUX-
PIN 20	---	PIN 20	NO CONNECTION
SHELL	BRAID	SHELL	GROUND

## NOTES:

- APPEARANCE REQUIREMENT: UNLESS OTHER SPECIFIED FOLLOW CORRELATIVE MOLEX WORKMANSHIP STANDARD.
- MECHANICAL SPECIFICATION:
  - PULL FORCE FOR CABLE: 5.0 KGF FOR ONE MINUTE.
  - FLEXING TEST FOR STRAIN RELIEF: 100 CYCLES IN EACH OF TWO PLANES PER EIA 364-41.
- ELECTRICAL CHARACTERISTIC: MUST MEET MOLEX ES-000 & ES-042.
- ASSEMBLY REQUIREMENTS:
  - THE JOINT BETWEEN DP PLUG AND METAL CAN MUST BE SOLDERED.
- THIS PRODUCT MUST MEET THE MOLEX CHEMICAL SUBSTANCE REQUIREMENT: MOLEX ES-40000-5016.

	13	STRAIN RELIEF FOR DP BLACK	---	1 PCS	
	12	COVER-UP FOR DISPLAYPORT	---	1 PCS	
	11	COVER-DOWN FOR DISPLAYPORT	---	1 PCS	
	10	LATCH FOR DISPLAYPORT 2	---	1 PCS	
	09	LATCH FOR DISPLAYPORT 1	---	1 PCS	
	08	INNER-SHELL-LOWER FOR DISPLAYPORT			
	07	INNER-SHELL-UPPER FOR DISPLAYPORT		1 PCS	
	06	PLUG SUB-ASSY FOR DISPLAYPORT	ABS+PC	1 PCS	
	05	PRE-CUT COPPER FOIL 14 x 40mm T=25u	COPPER	1 PCS	
	04	MINIDP CABLE, 5PX34+4CX32AWG, Ø4.9MM	---	---	
		03	Double Elec.PRE-CUT C.FOIL 35X18mm T=25u	---	1 PCS
		02	wire holder 34AWG DP mini-DP to mini-DP	---	1 PCS
		01	auto-soldering type Mini-DP, 15u plated	---	1 PCS
	ITEM	DESCRIPTION	MATERIAL	USAGE	

EC NO: CPG2015-6535 2015/06/19 DRW:NXJGU001 CHKD:AH00 APPR:FNIE 2015/06/23	QUALITY SYMBOLS ▼=0 ▽=0	GENERAL TOLERANCES (UNLESS SPECIFIED)		DIMENSION STYLE MM ONLY		SCALE ----	DESIGN UNITS METRIC	THIRD ANGLE PROJECTION	
		4 PLACES ± --- ± ---	3 PLACES ± --- ± ---	2 PLACES ± 0.25 ± ---	1 PLACE ± 0.5 ± ---	ANGULAR ± .5 °	DRAWN BY DATE JASON.LU 2009/02/06		TITLE MINIDP PLUG TO STD DP PLUG CABLE ASSY
D	REV	DRAFT WHERE APPLICABLE MUST REMAIN WITHIN DIMENSIONS		MATERIAL NO. SEE TABLE-1		MOLEX INCORPORATED		SHEET NO. 2 OF 2	
		THIS DRAWING CONTAINS INFORMATION THAT IS PROPRIETARY TO MOLEX INCORPORATED AND SHOULD NOT BE USED WITHOUT WRITTEN PERMISSION		DOCUMENT NO. SD-68785-0001		APPROVED BY DATE CHRIS 2009/02/06		MATERIAL USAGE	

6

5

4

3

2

1