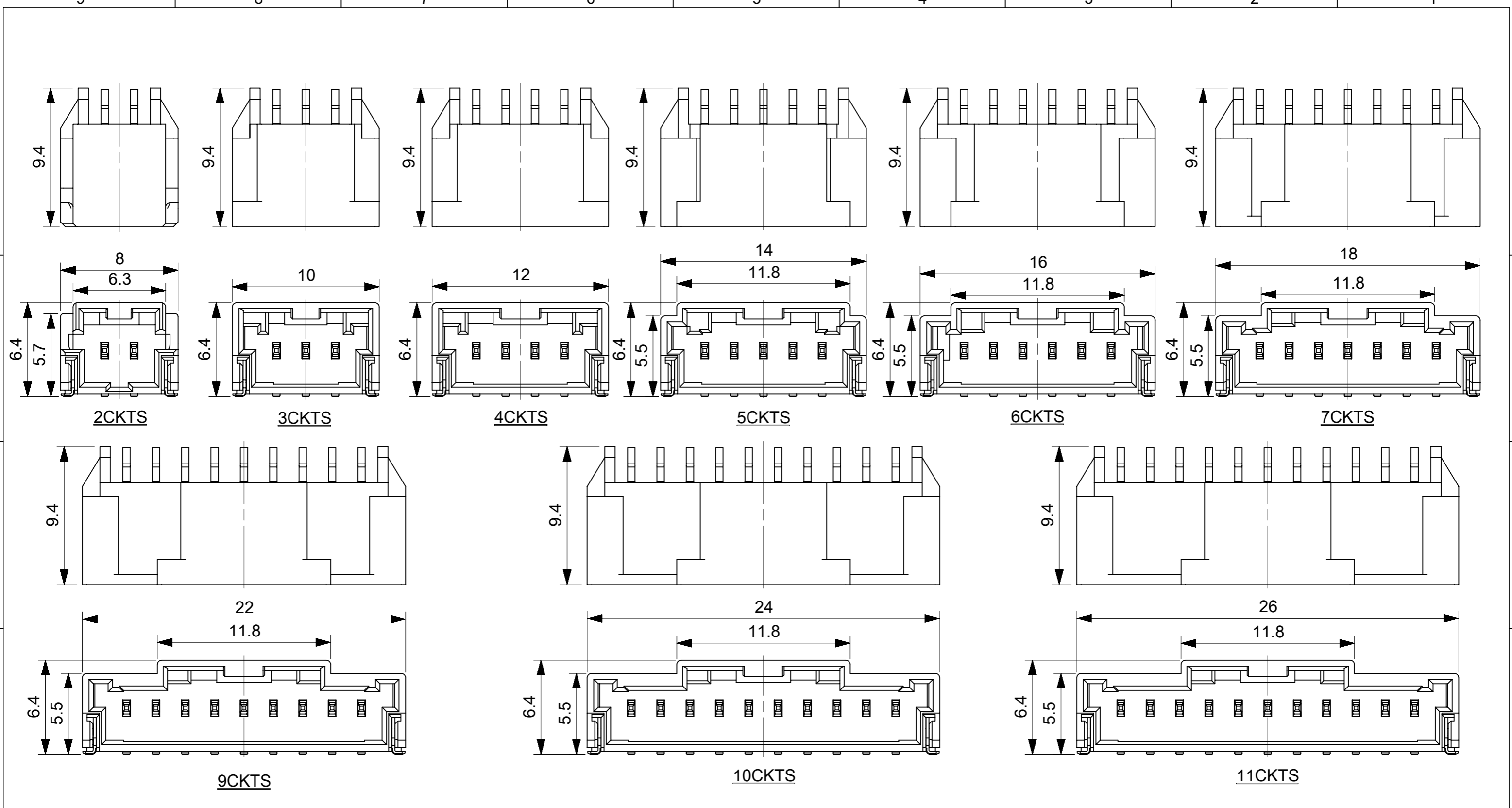


- 注記
NOTES
- 材質
ハウジング：耐熱性ナイロンUL94V-0
ピン：銅合金、ニッケル下地、錫メッキ、金メッキ
フィッティングネール：銅合金、ニッケル下地、錫メッキ
MATERIAL
HOUSING:POLYAMIDE UL94V-0
PIN: COPPER ALLOY, GOLD OR TIN OVER NICKEL PLATE.
FITTING NAIL: COPPER ALLOY, TIN OVER NICKEL PLATE.
 - 色：ナチュラル、黒、赤、青
COLOR:NATURAL, BLACK, RED, BLUE
 - 嵌合相手
ハウジング：502351-**0*
錫メッキ端子：50212-8*00,50372-8*00,560085-0101
金メッキ端子：56161-8*81
MATES WITH
HOUSING:502351-**0*
SN PLATING TERMINAL:50212-8*00,50372-8*00,560085-0101
AU PLATING TERMINAL:56161-8*81
 - エンボス梱包品の詳細はSD-502352-002参照
DETAILED TAPING PACKAGE, SEE SD-502352-002.
 - ELV及びRoHS適合
ELV AND RoHS COMPLIANT
 - 半田付け面のコプラナリティ：0.1mm MAX.
CO-PLANARITY OF SOLDERING TAILS TO BE 0.1mm MAX.

- 7.一般公差
GENERAL TOLERANCES
10 UNDER: 0.2
10 OVER 30 UNDER:0.25
30 OVER: 0.3
ANGULAR: ±3°

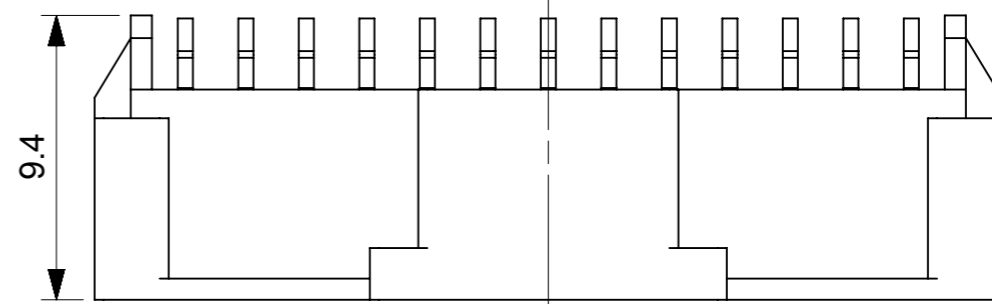
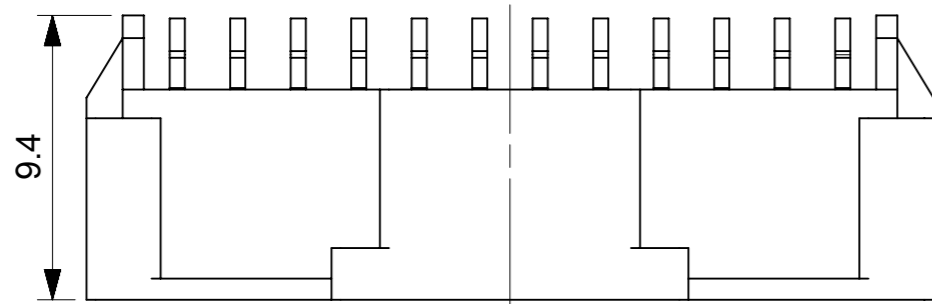
THIS DRAWING CONTAINS INFORMATION THAT IS PROPRIETARY TO MOLEX ELECTRONIC TECHNOLOGIES, LLC AND SHOULD NOT BE USED WITHOUT WRITTEN PERMISSION		CURRENT REV DESC:		molex		
DIMENSION UNITS	SCALE	EC NO: 606966				2.0MM PITCH W/B CONN. WAFFER ASSY R/A SMT
mm	5:1	DRWN: MSATO08 2018/10/31		PRODUCT CUSTOMER DRAWING		
GENERAL TOLERANCES (UNLESS SPECIFIED)		CHK'D: HKOMATSU 2018/11/02		DOCUMENT NUMBER		
ANGULAR TOL	±	APPR: TOSADA 2018/11/02		SD-502352-001		
4 PLACES	±	INITIAL REVISION:		DOC TYPE		
3 PLACES	±	DRWN: SHSHIBATA 2008/01/23		DOC PART		
2 PLACES	±	APPR: AKANESHIGE 2008/04/23		REVISION		
1 PLACE	±	DRWN: SHSHIBATA 2007/12/18		L1		
0 PLACES	±	CHECK HKOMATSU 2007/12/18		SHEET NUMBER		
DRAFT WHERE APPLICABLE MUST REMAIN WITHIN DIMENSIONS		THIRD ANGLE PROJECTION	DRAWING	SERIES	MATERIAL NUMBER	CUSTOMER
			A3-SIZE	502352	SEE CHART	GENERAL MARKET
INITIAL REVISION:	DRWN SHSHIBATA 2007/12/18	APPR AKANESHIGE 2007/12/18	1 OF 4			



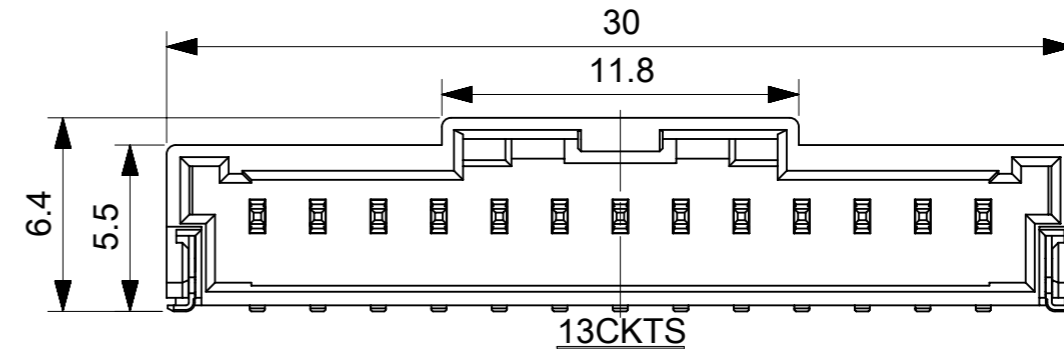
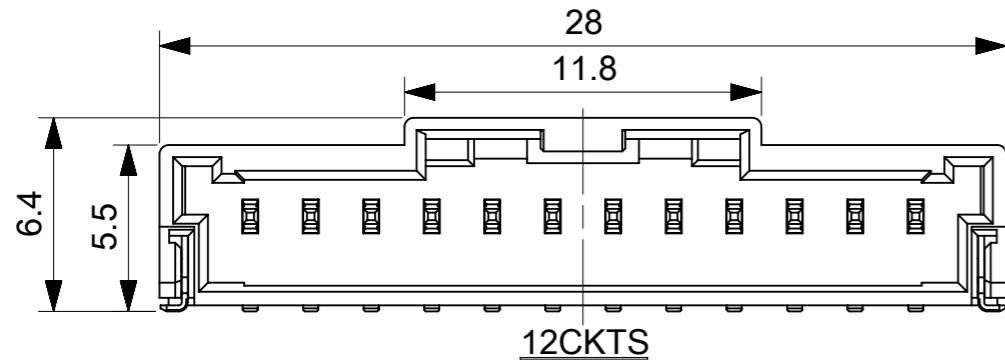
THIS DRAWING CONTAINS INFORMATION THAT IS PROPRIETARY TO MOLEX ELECTRONIC TECHNOLOGIES, LLC AND SHOULD NOT BE USED WITHOUT WRITTEN PERMISSION		CURRENT REV DESC:		molex	
DIMENSION UNITS	SCALE				
mm	4:1			2.0MM PITCH W/B CONN. WAFER ASSY R/A SMT	
GENERAL TOLERANCES (UNLESS SPECIFIED)				PRODUCT CUSTOMER DRAWING	
ANGULAR TOL	±				
4 PLACES	±				
3 PLACES	±				
2 PLACES	±				
1 PLACE	±				
0 PLACES	±				
DRAFT WHERE APPLICABLE MUST REMAIN WITHIN DIMENSIONS		THIRD ANGLE PROJECTION	DRAWING	SERIES	MATERIAL NUMBER
			A3-SIZE	502352	SEE CHART
INITIAL REVISION:		EC NO: 606966		DOCUMENT NUMBER	
DRWN SHSHIBATA 2007/12/18		DRWN: MSATO08 2018/10/31		SD-502352-001	
CHECK HKOMATSU 2007/12/18		CHK'D: HKOMATSU 2018/11/02		DOC TYPE DOC PART REVISION	
APPR AKANESHIGE 2007/12/18		APPR: TOSADA 2018/11/02		PSD 001 L1	
		INITIAL REVISION:		CUSTOMER	
		DRWN: SHSHIBATA 2008/01/23		GENERAL MARKET	
		APPR: AKANESHIGE 2008/04/23		SHEET NUMBER	
				2 OF 4	

9 8 7 6 5 4 3 2 1

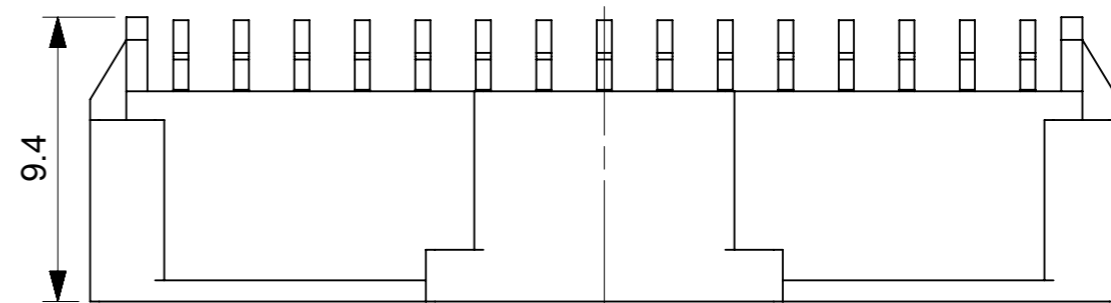
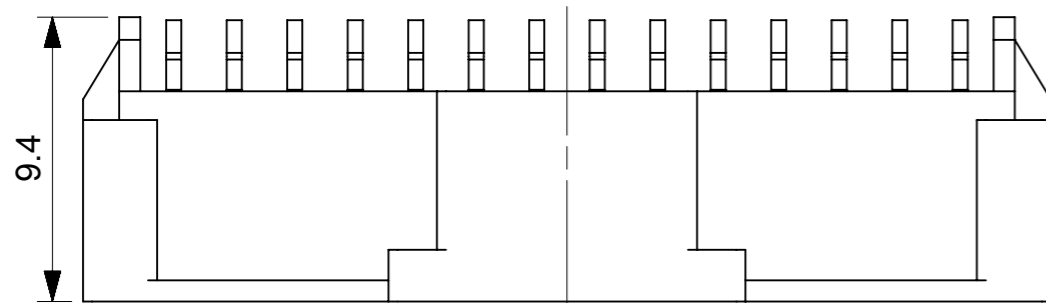
E



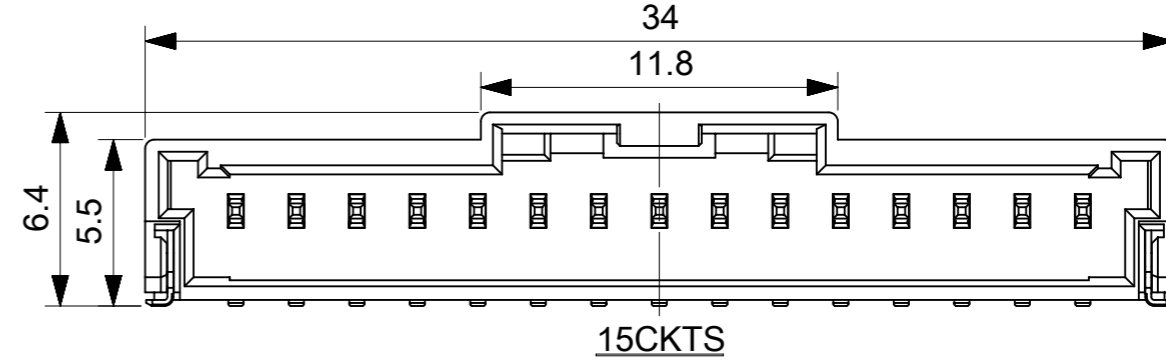
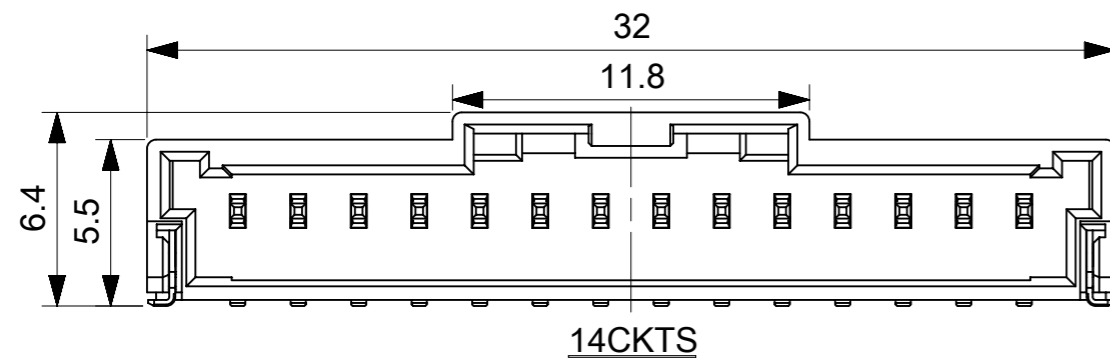
D



C



B



A

THIS DRAWING CONTAINS INFORMATION THAT IS PROPRIETARY TO MOLEX ELECTRONIC TECHNOLOGIES, LLC AND SHOULD NOT BE USED WITHOUT WRITTEN PERMISSION									
DIMENSION UNITS		SCALE		CURRENT REV DESC:				molex	
mm		4:1							
GENERAL TOLERANCES (UNLESS SPECIFIED)				EC NO: 606966				2.0MM PITCH W/B CONN.	
ANGULAR TOL ± °				DRWN: MSATO08 2018/10/31				WAFER ASSY R/A SMT	
4 PLACES ±				CHK'D: HKOMATSU 2018/11/02				PRODUCT CUSTOMER DRAWING	
3 PLACES ±				APPR: TOSADA 2018/11/02				DOCUMENT NUMBER	
2 PLACES ±				INITIAL REVISION:				SD-502352-001	
1 PLACE ±				DRWN: SHSHIBATA 2008/01/23				DOC TYPE	
0 PLACES ±				APPR: AKANESHIGE 2008/04/23				PSD	
DRAFT WHERE APPLICABLE MUST REMAIN WITHIN DIMENSIONS				THIRD ANGLE PROJECTION		DRAWING		SHEET NUMBER	
				A3-SIZE		SERIES		3 OF 4	
						MATERIAL NUMBER		GENERAL MARKET	
						CUSTOMER			

INITIAL REVISION:
 DRWN SHSHIBATA 2007/12/18
 CHECK HKOMATSU 2007/12/18
 APPR AKANESHIGE 2007/12/18

9 8 7 6 5 4 3 2 1

Sn NATURAL	34.0	502352-1500	15
	32.0	502352-1400	14
	30.0	502352-1300	13
	28.0	502352-1200	12
	26.0	502352-1100	11
	24.0	502352-1000	10
	22.0	502352-0900	9
	20.0	502352-0800	8
	18.0	502352-0700	7
	16.0	502352-0600	6
	14.0	502352-0500	5
	12.0	502352-0400	4
10.0	502352-0300	3	
8.0	502352-0200	2	

PLATING COLOR	A	EMBOSSSED PACKAGE ORDER NO.	CKTS
CONNECTOR SERIES NO. 502352-**08			

Sn BLACK	34.0	502352-1501	15
	32.0	502352-1401	14
	30.0	502352-1301	13
	28.0	502352-1201	12
	26.0	502352-1101	11
	24.0	502352-1001	10
	22.0	502352-0901	9
	20.0	502352-0801	8
	18.0	502352-0701	7
	16.0	502352-0601	6
	14.0	502352-0501	5
	12.0	502352-0401	4
10.0	502352-0301	3	
8.0	502352-0201	2	

PLATING COLOR	A	EMBOSSSED PACKAGE ORDER NO.	CKTS
CONNECTOR SERIES NO. 502352-**28			

Au NATURAL	34.0	502352-1510	15
	32.0	502352-1410	14
	30.0	502352-1310	13
	28.0	502352-1210	12
	26.0	502352-1110	11
	24.0	502352-1010	10
	22.0	502352-0910	9
	20.0	502352-0810	8
	18.0	502352-0710	7
	16.0	502352-0610	6
	14.0	502352-0510	5
	12.0	502352-0410	4
10.0	502352-0310	3	
8.0	502352-0210	2	

PLATING COLOR	A	EMBOSSSED PACKAGE ORDER NO.	CKTS
CONNECTOR SERIES NO. 502352-**18			

Sn RED	-	-	15
	-	-	14
	-	-	13
	-	-	12
	-	-	11
	-	-	10
	-	-	9
	20.0	502352-0802	8
	-	-	7
	16.0	502352-0602	6
	-	-	5
	12.0	502352-0402	4
10.0	502352-0302	3	
8.0	502352-0202	2	

PLATING COLOR	A	EMBOSSSED PACKAGE ORDER NO.	CKTS
CONNECTOR SERIES NO. 502352-**48			

Sn BLUE	-	-	15
	-	-	14
	-	-	13
	-	-	12
	-	-	11
	-	-	10
	-	-	9
	20.0	502352-0803	8
	-	-	7
	16.0	502352-0603	6
	-	-	5
	12.0	502352-0403	4
10.0	502352-0303	3	
8.0	502352-0203	2	

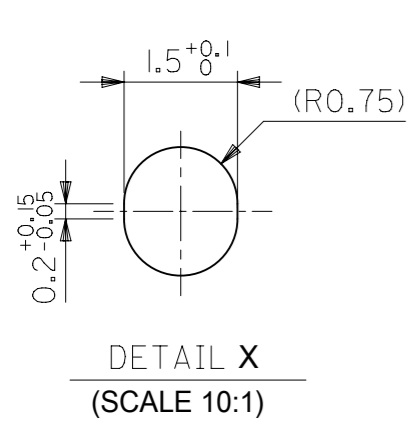
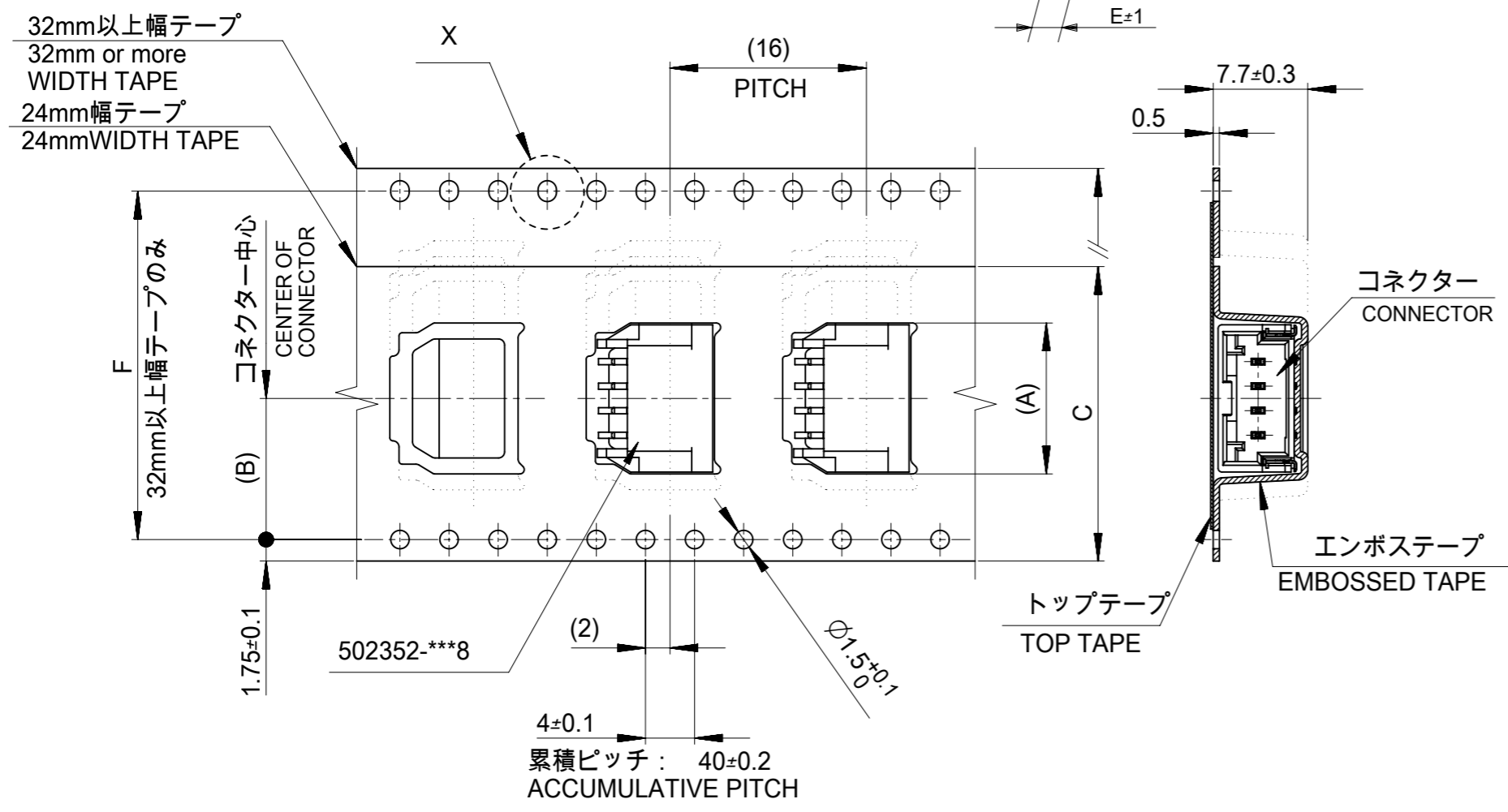
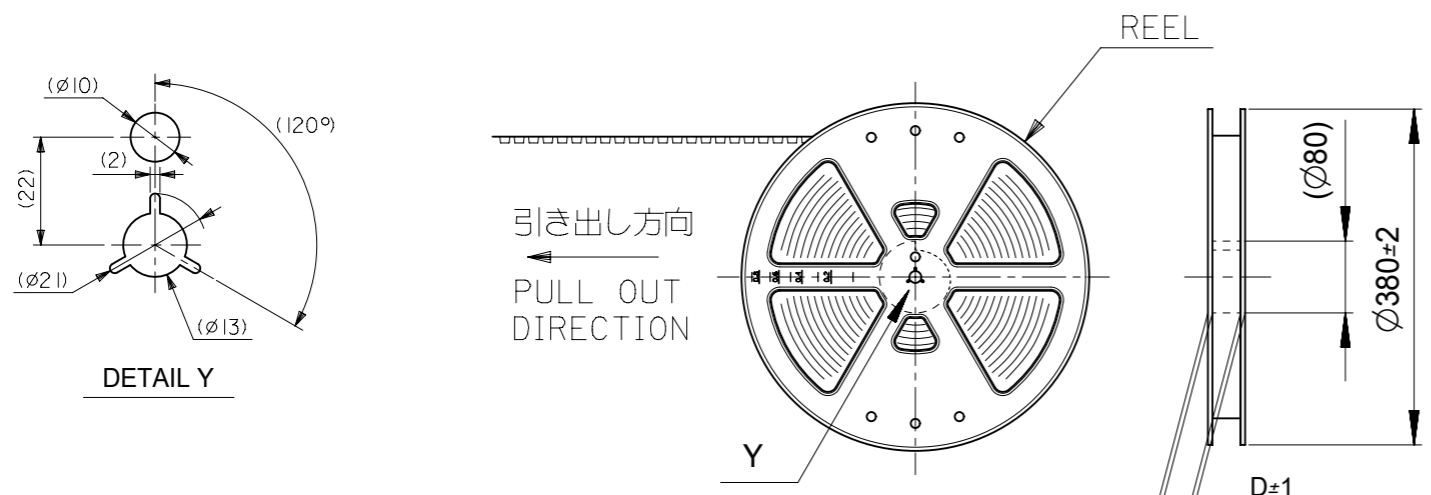
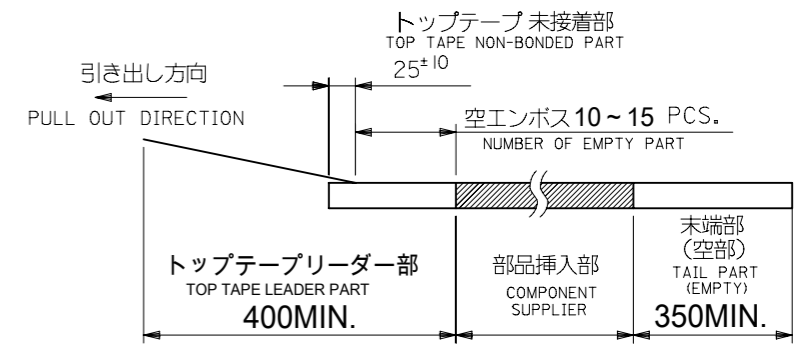
PLATING COLOR	A	EMBOSSSED PACKAGE ORDER NO.	CKTS
CONNECTOR SERIES NO. 502352-**68			

INITIAL REVISION:
 DRWN SHSHIBATA 2007/12/18
 CHECK HKOMATSU 2007/12/18
 APPR AKANESHIGE 2007/12/18

THIS DRAWING CONTAINS INFORMATION THAT IS PROPRIETARY TO MOLEX ELECTRONIC TECHNOLOGIES, LLC AND SHOULD NOT BE USED WITHOUT WRITTEN PERMISSION		CURRENT REV DESC:		molex	
DIMENSION UNITS	SCALE	EC NO: 606966			
mm	1:1	DRWN: MSATO08 2018/10/31		2.0MM PITCH W/B CONN. WAFER ASSY R/A SMT	
GENERAL TOLERANCES (UNLESS SPECIFIED)		CHK'D: HKOMATSU 2018/11/02		PRODUCT CUSTOMER DRAWING	
ANGULAR TOL	± °	APPR: TOSADA 2018/11/02		DOCUMENT NUMBER	
4 PLACES	±	INITIAL REVISION:		SD-502352-001	
3 PLACES	±	DRWN: SHSHIBATA 2008/01/23		DOC TYPE	DOC PART
2 PLACES	±	APPR: AKANESHIGE 2008/04/23		001	L1
1 PLACE	±	DRAFT WHERE APPLICABLE MUST REMAIN WITHIN DIMENSIONS		SHEET NUMBER	
0 PLACES	±	THIRD ANGLE PROJECTION	DRAWING	SERIES	MATERIAL NUMBER
			A3-SIZE	502352	SEE CHART
		CUSTOMER	GENERAL MARKET		
		4 OF 4			

注記
NOTES

- 製品番号
 ナチュラル・錫めっき: 502352-**00
 ナチュラル・金めっき: 502352-**10
 黒・錫めっき: 502352-**01
 赤・錫めっき: 502352-**02
 青・錫めっき: 502352-**03
 詳細寸法については、製品単体図面を参照下さい。
 PART NO.
 NATURAL Sn Plating: 502352-**00
 NATURAL Au Plating: 502352-**10
 BLACK Sn Plating: 502352-**01
 RED Sn Plating: 502352-**02
 BLUE Sn Plating: 502352-**03
 SEE SALES DRAWING FOR CONNECTOR
- 梱包数量: 700個/リール
 NUMBER OF CONNECTORS 700PCS/REEL
- リードテープ長さ
 LEAD TAPE LENGHT
- 材料
 MATERIAL
 キャリアテープ: ポリスチレン
 CARRIER TAPE: POLYSTYRENE
 トップテープ: PET, PE, PEF
 TOP TAPE: PET, PE, PEF
 リール: ポリスチレン
 REEL: POLYSTYRENE
- 一般降参
 GENERAL TOLERANCES
 10 UNDER: 0.2
 10 OVER 30 UNDER: 0.25
 30 OVER: 0.3
 ANGULAR: ±1°



THIS DRAWING CONTAINS INFORMATION THAT IS PROPRIETARY TO MOLEX ELECTRONIC TECHNOLOGIES, LLC AND SHOULD NOT BE USED WITHOUT WRITTEN PERMISSION		CURRENT REV DESC:		molex	
DIMENSION UNITS	SCALE				
mm	NTS			2.0MM PITCH W/B CONN. WAFER ASSY EMBOSSSED TAPE PACKAGE	
GENERAL TOLERANCES (UNLESS SPECIFIED)		EC NO: 177053		PRODUCT CUSTOMER DRAWING	
ANGULAR TOL	± °	DRWN: RHORI	2018/05/21	DOCUMENT NUMBER	
4 PLACES	±	CHK'D: HKOMATSU	2018/05/23	SD-502352-002	
3 PLACES	±	APPR: TOSADA	2018/05/23	DOC TYPE	DOC PART
2 PLACES	±	INITIAL REVISION:		PSD	001
1 PLACE	±	DRWN: SHSHIBATA	2007/06/19	REVISION	
0 PLACES	±	APPR: AKANESHIGE	2007/06/19	K	
DRAFT WHERE APPLICABLE MUST REMAIN WITHIN DIMENSIONS		THIRD ANGLE PROJECTION	DRAWING	SERIES	MATERIAL NUMBER
		⊕ ⊞	A3-SIZE	502352	CUSTOMER
				SEE CHART	GENERAL MARKET
				SHEET NUMBER	
				1 OF 2	

INITIAL REVISION:

DRWN	SHSHIBATA	2007/06/06
CHECK	TAITO	2007/06/06
APPR	MAYAMAMOTO	2012/03/14

E	Sn NATURAL		9	8	7	6	5	4	3	2	1	52.4	61.4	57.4	56	26.2	34.3	502352-1500	15	52.4	61.4	57.4	56	26.2	34.3	502352-1510	15
			32.3	502352-1400	14	32.3	502352-1410	14																			
			40.4	49.4	45.4	44	20.2	30.3	502352-1300	13	30.3	502352-1310	13														
								28.3	502352-1200	12	28.3	502352-1210	12														
								26.3	502352-1100	11	26.3	502352-1110	11														
								24.3	502352-1000	10	24.3	502352-1010	10														
								22.3	502352-0900	9	22.3	502352-0910	9														
								20.3	502352-0800	8	20.3	502352-0810	8														
			28.4	37.4	33.4	32	14.2	18.3	502352-0700	7	18.3	502352-0710	7														
								16.3	502352-0600	6	16.3	502352-0610	6														
								14.3	502352-0500	5	14.3	502352-0510	5														
														12.3	502352-0400	4	12.3	502352-0410	4								
29.4	25.4	24	11.5	10.3	502352-0300	3	10.3	502352-0310	3																		
				8.3	502352-0200	2	8.3	502352-0210	2																		
PLATING COLOR		F	E	D	C	(B)	(A)	エンボス梱包品 製品番号 MATERIAL NO.	極数 CKT.	PLATING COLOR		F	E	D	C	(B)	(A)	エンボス梱包品 製品番号 MATERIAL NO.	極数 CKT.								

C	Sn BLACK		9	8	7	6	5	4	3	2	1	52.4	61.4	57.4	56	26.2	34.3	502352-1501	15							15
			32.3	502352-1401	14	14																				
			40.4	49.4	45.4	44	20.2	30.3	502352-1301	13	13															
								28.3	502352-1201	12	12															
								26.3	502352-1101	11	11															
								24.3	502352-1001	10	10															
								22.3	502352-0901	9	9															
								20.3	502352-0801	8	20.3	502352-0802	8													
			28.4	37.4	33.4	32	14.2	18.3	502352-0701	7	18.3	502352-0701	7													
								16.3	502352-0601	6	16.3	502352-0602	6													
								14.3	502352-0501	5	14.3	502352-0501	5													
														12.3	502352-0401	4	12.3	502352-0402	4							
29.4	25.4	24	11.5	10.3	502352-0301	3	10.3	502352-0302	3																	
				8.3	502352-0201	2	8.3	502352-0202	2																	
PLATING COLOR		F	E	D	C	(B)	(A)	エンボス梱包品 製品番号 MATERIAL NO.	極数 CKT.	PLATING COLOR		F	E	D	C	(B)	(A)	エンボス梱包品 製品番号 MATERIAL NO.	極数 CKT.							

B	Sn BLUE		9	8	7	6	5	4	3	2	1	52.4	61.4	57.4	56	26.2	34.3	502352-1503	15							15
			32.3	502352-1403	14	14																				
			40.4	49.4	45.4	44	20.2	30.3	502352-1303	13	13															
								28.3	502352-1203	12	28.3	502352-1203	12													
								26.3	502352-1103	11	26.3	502352-1103	11													
								24.3	502352-1003	10	24.3	502352-1003	10													
								22.3	502352-0903	9	22.3	502352-0903	9													
								20.3	502352-0803	8	20.3	502352-0803	8													
			28.4	37.4	33.4	32	14.2	18.3	502352-0703	7	18.3	502352-0703	7													
								16.3	502352-0603	6	16.3	502352-0603	6													
								14.3	502352-0503	5	14.3	502352-0503	5													
														12.3	502352-0403	4	12.3	502352-0403	4							
29.4	25.4	24	11.5	10.3	502352-0303	3	10.3	502352-0303	3																	
				8.3	502352-0203	2	8.3	502352-0203	2																	
PLATING COLOR		F	E	D	C	(B)	(A)	エンボス梱包品 製品番号 MATERIAL NO.	極数 CKT.	PLATING COLOR		F	E	D	C	(B)	(A)	エンボス梱包品 製品番号 MATERIAL NO.	極数 CKT.							

THIS DRAWING CONTAINS INFORMATION THAT IS PROPRIETARY TO MOLEX ELECTRONIC TECHNOLOGIES, LLC AND SHOULD NOT BE USED WITHOUT WRITTEN PERMISSION															
DIMENSION UNITS: mm SCALE: NTS		CURRENT REV DESC:													
GENERAL TOLERANCES (UNLESS SPECIFIED) ANGULAR TOL ± °		EC NO: 177053 DRWN: RHORI 2018/05/21 CHK'D: HKOMATSU 2018/05/23 APPR: TOSADA 2018/05/23				2.0MM PITCH W/B CONN. WAFER ASSY EMBOSSED TAPE PACKAGE									
4 PLACES ± 3 PLACES ± 2 PLACES ± 1 PLACE ± 0 PLACES ±		INITIAL REVISION: DRWN: SHSHIBATA 2007/06/06 CHECK: TAITO 2007/06/06 APPR: MAYAMAMOTO 2012/03/14				PRODUCT CUSTOMER DRAWING									
DRAFT WHERE APPLICABLE MUST REMAIN WITHIN DIMENSIONS		THIRD ANGLE PROJECTION				DRAWING: A3-SIZE		SERIES: 502352		MATERIAL NUMBER: SEE CHART		CUSTOMER: GENERAL MARKET		SHEET NUMBER: 2 OF 2	
DOCUMENT STATUS: P1 RELEASE DATE: 2018/05/23 09:22:50															
DOCUMENT NUMBER: SD-502352-002 DOC TYPE: PSD DOC PART: 001 REVISION: K															