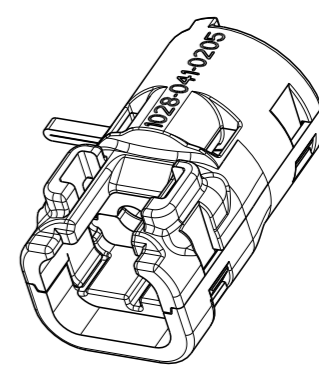
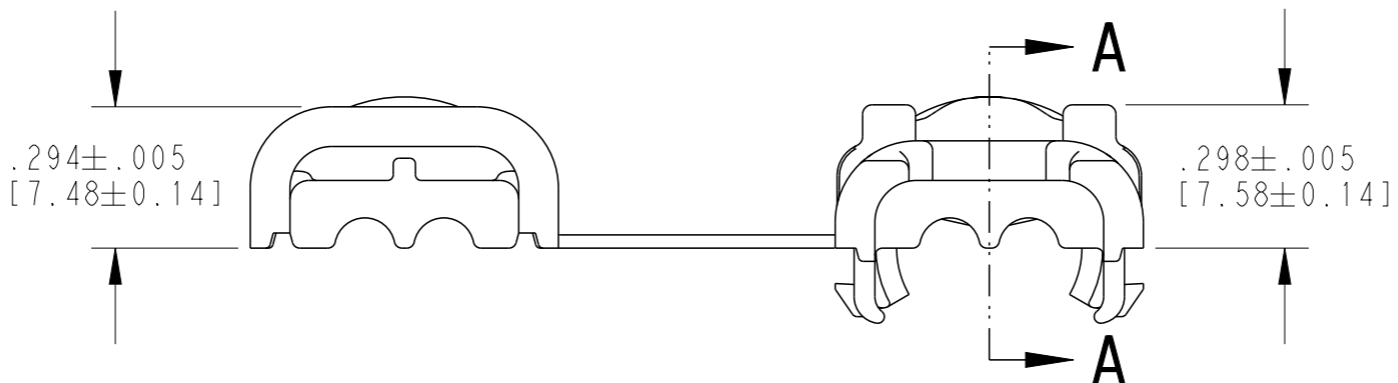
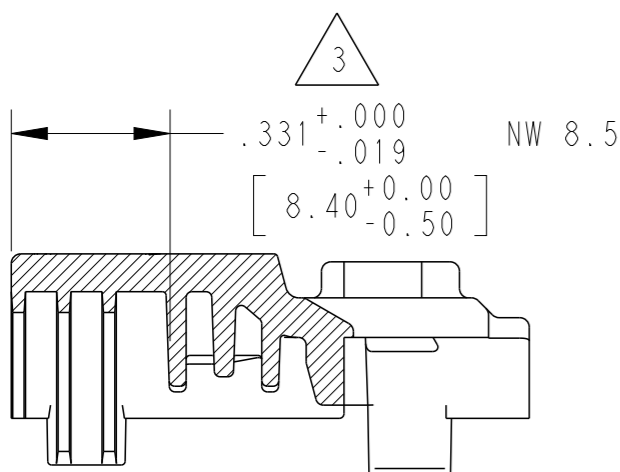
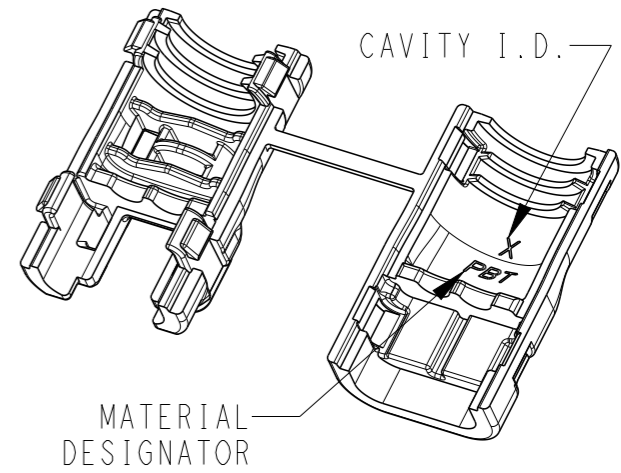
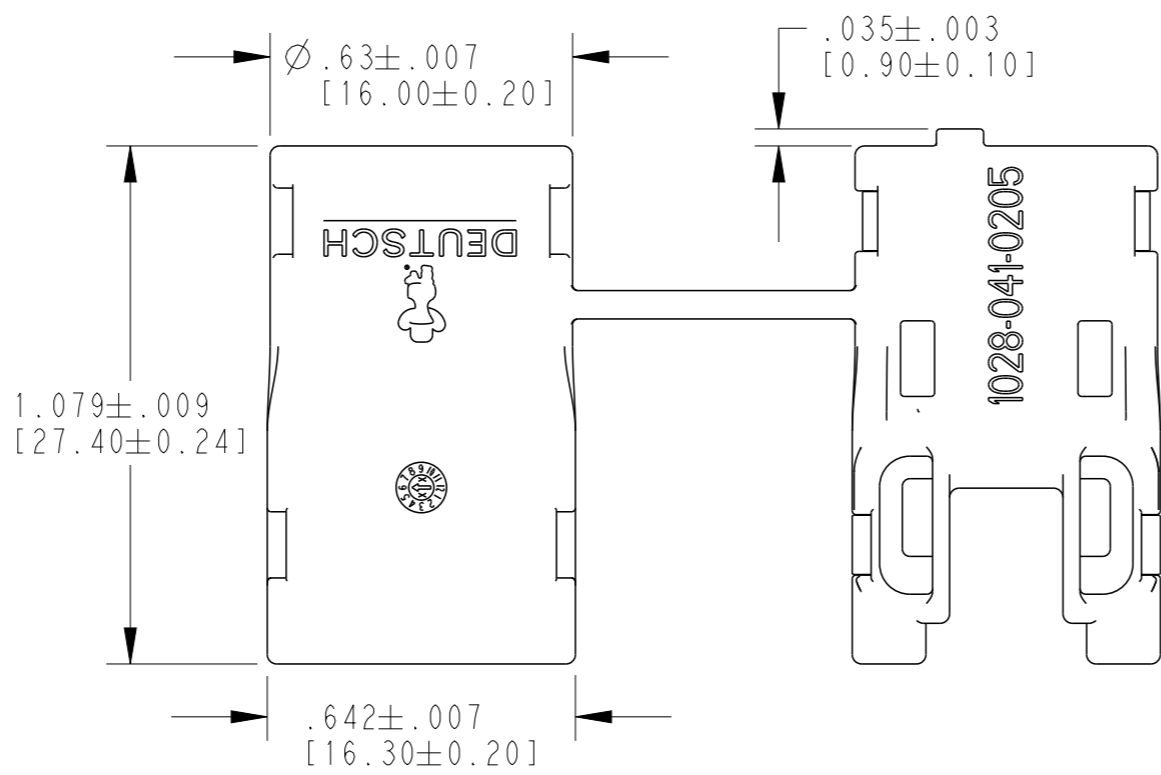


LOC		DIST		REVISIONS			
P	LTR	DESCRIPTION	DATE	DWN	APVD		
	NC	NEW RELEASE PER E.O. P21121	09DEC2011	AM	RDR		
	A	REVISED PER ECO-14-016222	31OCT2014	JA	RDR		
	B	REVISED PER PCN-23-175959	04MAY2023	MK	AW		
	B1	REVISED PER PCN-24-199045	17JAN2024	RK	AW		



TE INTERNAL PN	DEUTSCH PN
1028-041-0205	1028-041-0205

3 DIMENSION SHOWN INDICATES PROPER DEPTH TO ASSEMBLE NOTED CONVOLUTE TUBE SIZE.

B1 2 MATERIAL: PBT, COLOR: BLACK.

1. THIS PART MATES WITH DTM06-2SX-XXXX AND DTMH06-2SX-XXXX PLUGS WITH ANY MODIFICATION THAT DOES NOT INCLUDE AN END CAP. (X = KEY ARR. A,B,C,D; XXXX = MODIFICATION)

NOTES:

THIS DRAWING IS A CONTROLLED DOCUMENT.		DWN 11SEP2011 ALDO MALAGON		TE Connectivity <b>BACKSHELL SWIVEL ADAPTER</b> <b>2 PIN PLUG</b> <b>DTM/DTMH SERIES</b>	
DIMENSIONS: INCHES [mm]		CHK 07DEC2011 BOB MILLIGAN			
TOLERANCES UNLESS OTHERWISE SPECIFIED:		APVD 07DEC2011 STEVE BEARD			
0 PLC ± 1 PLC ± 2 PLC ± 3 PLC ±.025 [0.64] 4 PLC ± ANGLES ±0°30'0"		PRODUCT SPEC N/A			
MATERIAL		FINISH		APPLICATION SPEC N/A	
3		Customer Drawing		WEIGHT	
A3		CAGE CODE 4AFU8		DRAWING NO. 1028-041-0205	
SCALE 1:1		SHEET 1 OF 1		RESTRICTED TO -	
				REV B1	