

PT 4-WE/10 - Panel feed-through terminal block



3044915

<https://www.phoenixcontact.com/us/products/3044915>

Please be informed that the data shown in this PDF document is generated from our online catalog. Please find the complete data in the user documentation. Our general terms of use for downloads are valid.



Panel feed-through terminal block, nom. voltage: 500 V, nominal current: 24 A, number of connections: 20, number of positions: 10, connection method: Push-in connection, Rated cross section: 4 mm², cross section: 0.14 mm² - 4 mm², mounting type: Wall mounting, color: gray

Your advantages

- Easy grouping with engagement pin versions
- CLIPLINE complete accessories for easy bridging, testing, and marking
- Easy connection of the conductors, thanks to fast Push-in spring connection
- Highly flexible, thanks to alignable single terminal blocks
- Automatic compensation of the panel thickness via the snap principle integrated in the insulation housing

Commercial data

| | |
|--------------------------------------|--------------------------------|
| Item number | 3044915 |
| Packing unit | 1 pc |
| Note | Made to order (non-returnable) |
| Sales key | BE06 |
| Product key | BE6112 |
| Catalog page | Page 653 (C-1-2019) |
| GTIN | 4055626245751 |
| Weight per piece (including packing) | 66.02 g |
| Weight per piece (excluding packing) | 66.02 g |
| Customs tariff number | 85369010 |
| Country of origin | RU |

PT 4-WE/10 - Panel feed-through terminal block



3044915

<https://www.phoenixcontact.com/us/products/3044915>

Technical data

Notes

| | |
|---------------|---|
| Assembly note | Minimum distance to other conductive surfaces: min 5 mm |
|---------------|---|

Product properties

| | |
|-----------------------|-----------------------------|
| Product type | Feed-through terminal block |
| Product family | PT 4-WE |
| Number of positions | 10 |
| Pitch | 5.2 mm |
| Number of connections | 20 |
| Number of rows | 1 |
| Potentials | 10 |

Insulation characteristics

| | |
|----------------------|-----|
| Overvoltage category | III |
| Degree of pollution | 3 |

Electrical properties

| | |
|---|--------|
| Maximum power dissipation for nominal condition | 1.02 W |
|---|--------|

Connection data

| | |
|---|--|
| Nominal cross section | 4 mm ² |
| Rated cross section AWG | 14 |
| Note | Derating curve on request. |
| Stripping length | 10 mm ... 12 mm |
| Internal cylindrical gage | A3 |
| Connection in acc. with standard | IEC 60947-7-1 |
| Conductor cross section rigid | 0.14 mm ² ... 4 mm ² |
| Cross section AWG | 26 ... 12 (converted acc. to IEC) |
| Conductor cross section flexible | 0.14 mm ² ... 4 mm ² |
| Conductor cross section, flexible [AWG] | 26 ... 12 (converted acc. to IEC) |
| Conductor cross-section flexible (ferrule without plastic sleeve) | 0.14 mm ² ... 2.5 mm ² |
| Flexible conductor cross section (ferrule with plastic sleeve) | 0.14 mm ² ... 2.5 mm ² |
| 2 conductors with the same cross section, flexible, with TWIN ferrule with plastic sleeve | 0.5 mm ² ... 0.5 mm ² |
| Nominal current | 24 A |
| Maximum load current | 30 A (with 6 mm ² conductor cross section, rigid) |
| Nominal voltage | 500 V |
| Nominal cross section | 4 mm ² |

Connection cross sections directly pluggable

| | |
|---|--|
| Conductor cross section rigid | 0.34 mm ² ... 4 mm ² |
| Conductor cross section, rigid [AWG] | 24 ... 12 (converted acc. to IEC) |
| Conductor cross-section flexible (ferrule without plastic sleeve) | 0.34 mm ² ... 2.5 mm ² |

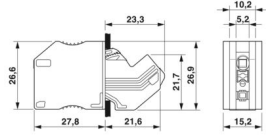
PT 4-WE/10 - Panel feed-through terminal block

3044915

<https://www.phoenixcontact.com/us/products/3044915>

| | |
|--|--|
| Flexible conductor cross section (ferrule with plastic sleeve) | 0.34 mm ² ... 2.5 mm ² |
|--|--|

Dimensions

| | |
|---------------------|--|
| Dimensional drawing |  |
| Width | 56.5 mm |
| Height | 26.6 mm |
| Pitch | 5.2 mm |
| Plate thickness | 1 mm ... 2.5 mm |

Material specifications

| | |
|---|-------------|
| Color | gray |
| Flammability rating according to UL 94 | V0 |
| Insulating material | PA |
| Static insulating material application in cold | -60 °C |
| Temperature index of insulation material (DIN EN 60216-1 (VDE 0304-21)) | 125 °C |
| Relative insulation material temperature index (Elec., UL 746 B) | 130 °C |
| Fire protection for rail vehicles (DIN EN 45545-2) R22 | HL 1 - HL 3 |
| Fire protection for rail vehicles (DIN EN 45545-2) R23 | HL 1 - HL 3 |
| Fire protection for rail vehicles (DIN EN 45545-2) R24 | HL 1 - HL 3 |
| Fire protection for rail vehicles (DIN EN 45545-2) R26 | HL 1 - HL 3 |
| Calorimetric heat release NFPA 130 (ASTM E 1354) | 27,5 MJ/kg |
| Surface flammability NFPA 130 (ASTM E 162) | passed |
| Specific optical density of smoke NFPA 130 (ASTM E 662) | passed |
| Smoke gas toxicity NFPA 130 (SMP 800C) | passed |

Electrical tests

Surge voltage test

| | |
|-----------------------|-------------|
| Test voltage setpoint | 7.3 kV |
| Result | Test passed |

Temperature-rise test

| | |
|--|--------------------------------|
| Requirement temperature-rise test | Increase in temperature ≤ 45 K |
| Result | Test passed |
| Short-time withstand current 2.5 mm ² | 0.15 kA |
| Short-time withstand current 4 mm ² | 0.15 kA |
| Short-time withstand current 2.5 mm ² | 0.3 kA |
| Short-time withstand current 4 mm ² | 0.3 kA |
| Short-time withstand current 2.5 mm ² | 0.5 kA |
| Result | Test passed |

PT 4-WE/10 - Panel feed-through terminal block



3044915

<https://www.phoenixcontact.com/us/products/3044915>

Power-frequency withstand voltage

| | |
|-----------------------|-------------|
| Test voltage setpoint | 1.89 kV |
| Result | Test passed |

Mechanical properties

Mechanical data

| | |
|-----------------|----|
| Open side panel | No |
|-----------------|----|

Mechanical tests

Mechanical strength

| | |
|--------|-------------|
| Result | Test passed |
|--------|-------------|

Attachment on the carrier

| | |
|-------------------------|-------------|
| DIN rail/fixing support | NS 35 |
| Test force setpoint | 1 N |
| Result | Test passed |

Test for conductor damage and slackening

| | |
|--------------------------------|-------------------------------|
| Conductor cross section/weight | 0.14 mm ² / 0.2 kg |
| | 2.5 mm ² / 0.7 kg |
| | 4 mm ² / 0.9 kg |
| Result | Test passed |

Environmental and real-life conditions

Aging

| | |
|--------------------|-------------|
| Temperature cycles | 192 |
| Result | Test passed |

Needle-flame test

| | |
|------------------|-------------|
| Time of exposure | 30 s |
| Result | Test passed |

Oscillation/broadband noise

| | |
|------------------------|---|
| Specification | DIN EN 50155 (VDE 0115-200):2008-03 |
| Spectrum | Service life test category 1, class B, body mounted |
| Frequency | $f_1 = 5 \text{ Hz}$ to $f_2 = 150 \text{ Hz}$ |
| ASD level | 0.964 (m/s ²)/Hz |
| Acceleration | 0.58g |
| Test duration per axis | 5 h |
| Test directions | X-, Y- and Z-axis |
| Result | Test passed |

Shocks

| | |
|---------------|-------------------------------------|
| Specification | DIN EN 50155 (VDE 0115-200):2008-03 |
| Pulse shape | Half-sine |

PT 4-WE/10 - Panel feed-through terminal block



3044915

<https://www.phoenixcontact.com/us/products/3044915>

| | |
|--------------------------------|-----------------------------------|
| Acceleration | 5g |
| Shock duration | 30 ms |
| Number of shocks per direction | 3 |
| Test directions | X-, Y- and Z-axis (pos. and neg.) |
| Result | Test passed |

Ambient conditions

| | |
|--|---|
| Ambient temperature (storage/transport) | -25 °C ... 60 °C (for a short time, not exceeding 24 h, -60 °C to +70 °C) |
| Ambient temperature (assembly) | -5 °C ... 70 °C |
| Ambient temperature (actuation) | -5 °C ... 70 °C |
| Permissible humidity (storage/transport) | 30 % ... 70 % |

Standards and regulations

| | |
|----------------------------------|---------------|
| Connection in acc. with standard | IEC 60947-7-1 |
|----------------------------------|---------------|

Mounting

| | |
|---------------|---------------|
| Mounting type | Wall mounting |
|---------------|---------------|

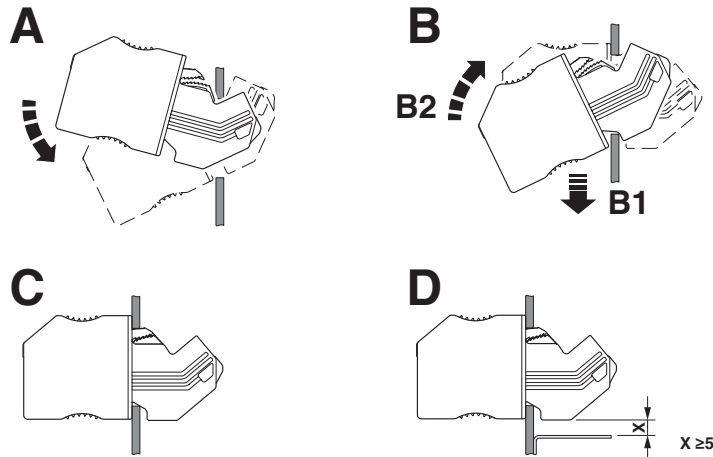
PT 4-WE/10 - Panel feed-through terminal block

3044915

<https://www.phoenixcontact.com/us/products/3044915>

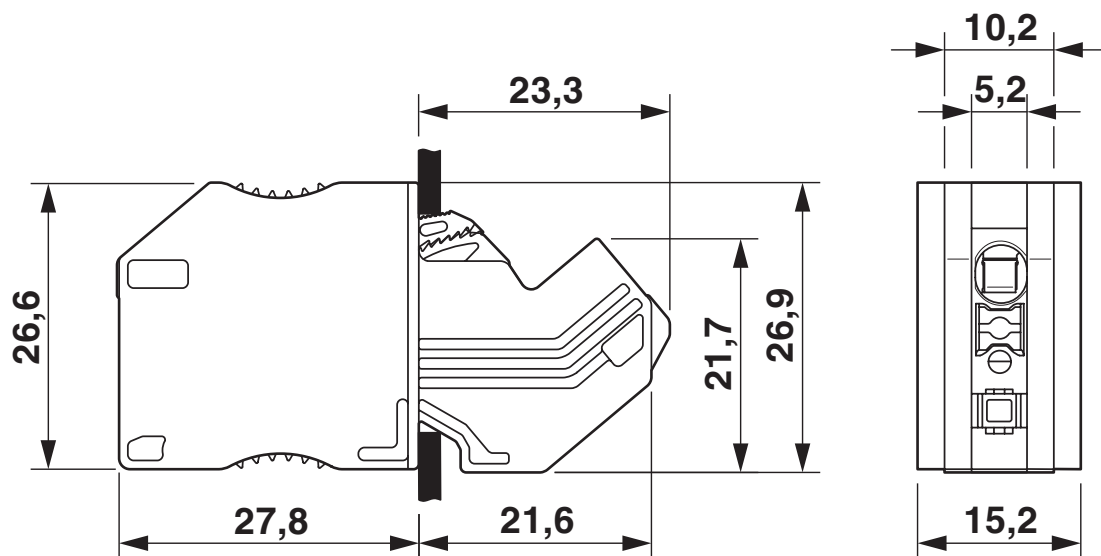
Drawings

Schematic diagram



Assembly drawing

Dimensional drawing



PT 4-WE/10 - Panel feed-through terminal block



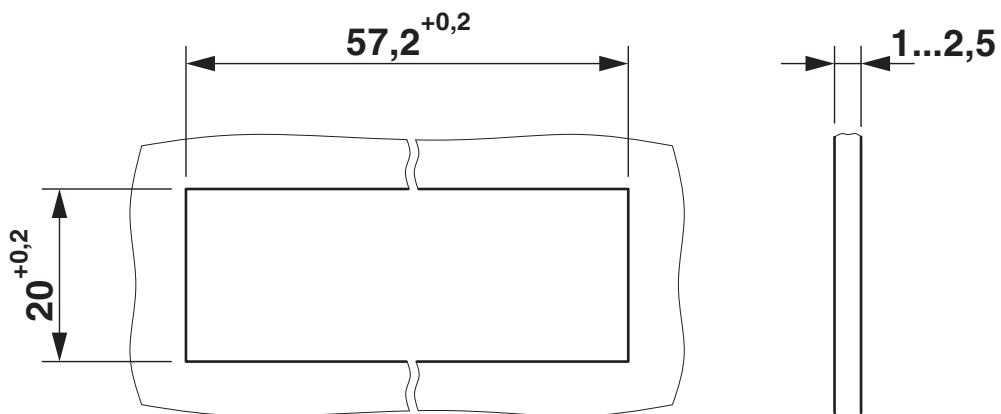
3044915

<https://www.phoenixcontact.com/us/products/3044915>

Circuit diagram



Dimensional drawing



PT 4-WE/10 - Panel feed-through terminal block



3044915

<https://www.phoenixcontact.com/us/products/3044915>

Classifications

ECLASS

ECLASS-11.0

27141120

ETIM

ETIM 8.0

EC000897

UNSPSC

UNSPSC 21.0

39121400

PT 4-WE/10 - Panel feed-through terminal block



3044915

<https://www.phoenixcontact.com/us/products/3044915>

Environmental product compliance

EU RoHS

| | |
|---|--------------------|
| Fulfills EU RoHS substance requirements | Yes, No exemptions |
|---|--------------------|

China RoHS

| | |
|--|--|
| Environment friendly use period (EFUP) | EFUP-E |
| | No hazardous substances above the limits |

EU REACH SVHC

| | |
|-------------------------------------|----------------------------|
| REACH candidate substance (CAS No.) | No substance above 0.1 wt% |
|-------------------------------------|----------------------------|

PT 4-WE/10 - Panel feed-through terminal block

3044915

<https://www.phoenixcontact.com/us/products/3044915>

Accessories

 Note: Applying some accessories below might limit this product.


FBS 2-5 - Plug-in bridge

3030161

<https://www.phoenixcontact.com/us/products/3030161>



Plug-in bridge, pitch: 5.2 mm, number of positions: 2, length: 23 mm, color: red

 Max. current carrying capacity: 24 A

FBS 3-5 - Plug-in bridge

3030174

<https://www.phoenixcontact.com/us/products/3030174>



Plug-in bridge, pitch: 5.2 mm, number of positions: 3, length: 23 mm, color: red

 Max. current carrying capacity: 24 A

PT 4-WE/10 - Panel feed-through terminal block



3044915

<https://www.phoenixcontact.com/us/products/3044915>

FBS 4-5 - Plug-in bridge

3030187

<https://www.phoenixcontact.com/us/products/3030187>



Plug-in bridge, pitch: 5.2 mm, number of positions: 4, length: 23 mm, color: red

 Max. current carrying capacity: 24 A

FBS 5-5 - Plug-in bridge

3030190

<https://www.phoenixcontact.com/us/products/3030190>



Plug-in bridge, pitch: 5.2 mm, number of positions: 5, length: 23 mm, color: red

 Max. current carrying capacity: 24 A

PT 4-WE/10 - Panel feed-through terminal block

3044915

<https://www.phoenixcontact.com/us/products/3044915>




FBS 10-5 - Plug-in bridge

3030213

<https://www.phoenixcontact.com/us/products/3030213>



Plug-in bridge, pitch: 5.2 mm, number of positions: 10, length: 23 mm, color: red

 Max. current carrying capacity: 24 A

FBS 20-5 - Plug-in bridge

3030226

<https://www.phoenixcontact.com/us/products/3030226>



Plug-in bridge, pitch: 5.2 mm, number of positions: 20, color: red

 Max. current carrying capacity: 24 A

PT 4-WE/10 - Panel feed-through terminal block



3044915

<https://www.phoenixcontact.com/us/products/3044915>

FBS 50-5 - Plug-in bridge

3038930

<https://www.phoenixcontact.com/us/products/3038930>



Plug-in bridge, pitch: 5.2 mm, number of positions: 50, color: red

 Max. current carrying capacity: 24 A


FBSR 2-5 - Plug-in bridge

3033702

<https://www.phoenixcontact.com/us/products/3033702>



Plug-in bridge, pitch: 5.2 mm, number of positions: 2, color: red

 Max. current carrying capacity: 17.5 A

PT 4-WE/10 - Panel feed-through terminal block

3044915

<https://www.phoenixcontact.com/us/products/3044915>


FBSR 3-5 - Plug-in bridge

3001591

<https://www.phoenixcontact.com/us/products/3001591>



Plug-in bridge, pitch: 5.2 mm, number of positions: 3, color: red

 Max. current carrying capacity: 17.5 A


FBSR 4-5 - Plug-in bridge

3001592

<https://www.phoenixcontact.com/us/products/3001592>



Plug-in bridge, pitch: 5.2 mm, number of positions: 4, color: red

 Max. current carrying capacity: 17.5 A

PT 4-WE/10 - Panel feed-through terminal block

3044915

<https://www.phoenixcontact.com/us/products/3044915>

FBSR 5-5 - Plug-in bridge

3001593

<https://www.phoenixcontact.com/us/products/3001593>

Plug-in bridge, pitch: 5.2 mm, number of positions: 5, color: red



 Max. current carrying capacity: 17.5 A

FBSR 10-5 - Plug-in bridge

3033710

<https://www.phoenixcontact.com/us/products/3033710>

Plug-in bridge, pitch: 5.2 mm, number of positions: 10, color: red



 Max. current carrying capacity: 17.5 A

PT 4-WE/10 - Panel feed-through terminal block

3044915

<https://www.phoenixcontact.com/us/products/3044915>


FBS 2-5 BU - Plug-in bridge

3036877

<https://www.phoenixcontact.com/us/products/3036877>



Plug-in bridge, pitch: 5.2 mm, number of positions: 2, color: blue

 Max. current carrying capacity: 24 A


FBS 3-5 BU - Plug-in bridge

3036880

<https://www.phoenixcontact.com/us/products/3036880>



Plug-in bridge, pitch: 5.2 mm, number of positions: 3, color: blue

 Max. current carrying capacity: 24 A

PT 4-WE/10 - Panel feed-through terminal block

3044915

<https://www.phoenixcontact.com/us/products/3044915>

FBS 4-5 BU - Plug-in bridge

3036893

<https://www.phoenixcontact.com/us/products/3036893>



Plug-in bridge, pitch: 5.2 mm, number of positions: 4, color: blue

 Max. current carrying capacity: 24 A

FBS 5-5 BU - Plug-in bridge

3036903

<https://www.phoenixcontact.com/us/products/3036903>



Plug-in bridge, pitch: 5.2 mm, number of positions: 5, color: blue

 Max. current carrying capacity: 24 A

PT 4-WE/10 - Panel feed-through terminal block

3044915

<https://www.phoenixcontact.com/us/products/3044915>

FBS 10-5 BU - Plug-in bridge

3036916

<https://www.phoenixcontact.com/us/products/3036916>



Plug-in bridge, pitch: 5.2 mm, number of positions: 10, color: blue

 Max. current carrying capacity: 24 A


FBS 20-5 BU - Plug-in bridge

3036929

<https://www.phoenixcontact.com/us/products/3036929>



Plug-in bridge, pitch: 5.2 mm, number of positions: 20, color: blue

 Max. current carrying capacity: 24 A

PT 4-WE/10 - Panel feed-through terminal block

3044915

<https://www.phoenixcontact.com/us/products/3044915>


FBS 50-5 BU - Plug-in bridge

3032114

<https://www.phoenixcontact.com/us/products/3032114>



Plug-in bridge, pitch: 5.2 mm, number of positions: 50, color: blue

 Max. current carrying capacity: 24 A

D-PT 4-WE - End cover

3044902

<https://www.phoenixcontact.com/us/products/3044902>



End cover, Right / left, width: 5 mm, height: 26.9 mm, color: gray

PT 4-WE/10 - Panel feed-through terminal block



3044915

<https://www.phoenixcontact.com/us/products/3044915>

SZF 1-0,6X3,5 - Screwdriver

1204517

<https://www.phoenixcontact.com/us/products/1204517>



Actuation tool, for ST terminal blocks, also suitable for use as a bladed screwdriver, size: 0.6 x 3.5 x 100 mm, 2-component grip, with non-slip grip

ST-BW - Actuation tool

1207608

<https://www.phoenixcontact.com/us/products/1207608>



Actuation tool, for all 2.5 mm² - 4.0 mm² spring-cages

PT 4-WE/10 - Panel feed-through terminal block



3044915

<https://www.phoenixcontact.com/us/products/3044915>

ZBF 5:UNBEDRUCKT - Zack Marker strip, flat

0808642

<https://www.phoenixcontact.com/us/products/0808642>



Zack Marker strip, flat, Strip, white, unlabeled, can be labeled with: PLOTMARK, CMS-P1-PLOTTER, mounting type: snapped, for terminal block width: 5 mm, lettering field size: 5.1 x 5.2 mm, Number of individual labels: 10

ZBF 5 CUS - Zack Marker strip, flat

0825025

<https://www.phoenixcontact.com/us/products/0825025>



Zack Marker strip, flat, can be ordered: Strip, white, labeled according to customer specifications, mounting type: snap into flat marker groove, for terminal block width: 5 mm, lettering field size: 5.15 x 5.15 mm, Number of individual labels: 10

PT 4-WE/10 - Panel feed-through terminal block



3044915

<https://www.phoenixcontact.com/us/products/3044915>

ZBF 5,LGS:FORTL.ZAHLEN - Zack Marker strip, flat

0808671

<https://www.phoenixcontact.com/us/products/0808671>



Zack Marker strip, flat, Strip, white, labeled, printed horizontally: consecutive numbers 1 ... 10, 11 ... 20, etc. up to 491 ... 500, mounting type: snapped, for terminal block width: 5 mm, lettering field size: 5.15 x 5.15 mm, Number of individual labels: 10

ZBF 5,QR:FORTL.ZAHLEN - Zack Marker strip, flat

0808697

<https://www.phoenixcontact.com/us/products/0808697>



Zack Marker strip, flat, Strip, white, labeled, Printed vertically: consecutive numbers 1 ... 10, 11 ... 20, etc. up to 91 ... 100, mounting type: snapped, for terminal block width: 5 mm, lettering field size: 5.15 x 5.15 mm, Number of individual labels: 10

PT 4-WE/10 - Panel feed-through terminal block



3044915

<https://www.phoenixcontact.com/us/products/3044915>

ZBF 5,LGS:GERADE ZAHLEN - Zack Marker strip, flat

0810821

<https://www.phoenixcontact.com/us/products/0810821>



Zack Marker strip, flat, Strip, white, labeled, printed horizontally: consecutive even numbers 2 ... 20, 22 ... 40, etc. up to 82 ... 100, mounting type: snapped, for terminal block width: 5 mm, lettering field size: 5.15 x 5.15 mm, Number of individual labels: 10

ZBF 5,LGS:UNGERADE ZAHLEN - Zack Marker strip, flat

0810863

<https://www.phoenixcontact.com/us/products/0810863>



Zack Marker strip, flat, Strip, white, labeled, printed horizontally: Odd numbers 1 - 19, 21 - 39, etc. up to 81 - 99, mounting type: snapped, for terminal block width: 5 mm, lettering field size: 5.15 x 5.15 mm, Number of individual labels: 10

PT 4-WE/10 - Panel feed-through terminal block



3044915

<https://www.phoenixcontact.com/us/products/3044915>

UC-TMF 5 - Marker for terminal blocks

0818153

<https://www.phoenixcontact.com/us/products/0818153>

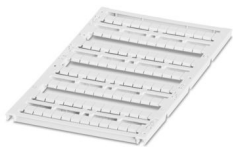


Marker for terminal blocks, Sheet, white, unlabeled, can be labeled with: BLUEMARK ID COLOR, BLUEMARK ID, BLUEMARK CLED, PLOTMARK, CMS-P1-PLOTTER, mounting type: snapped, for terminal block width: 5.2 mm, lettering field size: 4.6 x 5.1 mm, Number of individual labels: 96

UC-TMF 5 CUS - Marker for terminal blocks

0824638

<https://www.phoenixcontact.com/us/products/0824638>



Marker for terminal blocks, can be ordered: by sheet, white, labeled according to customer specifications, mounting type: snap into flat marker groove, for terminal block width: 5.2 mm, lettering field size: 4.6 x 5.1 mm, Number of individual labels: 96

PT 4-WE/10 - Panel feed-through terminal block



3044915

<https://www.phoenixcontact.com/us/products/3044915>

UCT-TMF 5 - Marker for terminal blocks

0828744

<https://www.phoenixcontact.com/us/products/0828744>



Marker for terminal blocks, Sheet, white, unlabeled, can be labeled with: TOPMARK NEO, TOPMARK LASER, BLUEMARK ID COLOR, BLUEMARK ID, BLUEMARK CLED, THERMOMARK PRIME, THERMOMARK CARD 2.0, THERMOMARK CARD, mounting type: snapped, for terminal block width: 5.2 mm, lettering field size: 4.4 x 4.7 mm, Number of individual labels: 72

UCT-TMF 5 CUS - Marker for terminal blocks

0829658

<https://www.phoenixcontact.com/us/products/0829658>



Marker for terminal blocks, can be ordered: by sheet, white, labeled according to customer specifications, mounting type: snap into flat marker groove, for terminal block width: 5.2 mm, lettering field size: 4.4 x 4.7 mm, Number of individual labels: 72

PT 4-WE/10 - Panel feed-through terminal block



3044915

<https://www.phoenixcontact.com/us/products/3044915>

PS-5 - Test plug

3030983

<https://www.phoenixcontact.com/us/products/3030983>



Test plug, Modular test plug, number of positions: 1, color: red

DP PS-5 - Spacer plate

3036725

<https://www.phoenixcontact.com/us/products/3036725>



Spacer plate, depth: 29 mm, width: 5.2 mm, height: 22.4 mm, number of positions: 1, color: red

PT 4-WE/10 - Panel feed-through terminal block



3044915

<https://www.phoenixcontact.com/us/products/3044915>

PS-5/2,3MM RD - Test plug

3038723

<https://www.phoenixcontact.com/us/products/3038723>



Test plug, number of positions: 1, color: red

PAI-4 - Test adapter

3030925

<https://www.phoenixcontact.com/us/products/3030925>



Test adapter, Touch proof against unintentional direct contact according to DIN EN 50274 when plugged in, for 4 mm test plug and terminal blocks with 8.2 mm pitch, number of positions: 1, color: gray

Phoenix Contact 2024 © - all rights reserved
<https://www.phoenixcontact.com>

Phoenix Contact USA
586 Fulling Mill Road
Middletown, PA 17057, United States
(+717) 944-1300
info@phoenixcon.com