

SACB-10/3-L- 5,0PUR-M8 HD - Distributor box



1197325

<https://www.phoenixcontact.com/us/products/1197325>

Please be informed that the data shown in this PDF document is generated from our online catalog. Please find the complete data in the user documentation. Our general terms of use for downloads are valid.



Distributor box, application: Standard, connection method: M8 socket Metal, number of slots: 10, number of positions: 3, coding: A, slot assignment: single, status display: Yes, PNP; master cable connection: Fixed connection 180°, PUR/PVC, cable length: 5 m, shielding: no

Your advantages

- Safety in the field, thanks to molded housing and high degree of protection
- Convenient: increased machine availability thanks to quick and easy diagnostics

Commercial data

| | |
|--------------------------------------|---------------|
| Item number | 1197325 |
| Packing unit | 1 pc |
| Minimum order quantity | 1 pc |
| Sales key | BF40 |
| Product key | BF3BCA |
| GTIN | 4063151257279 |
| Weight per piece (including packing) | 730 g |
| Weight per piece (excluding packing) | 738.2 g |
| Customs tariff number | 85444290 |
| Country of origin | DE |

Technical data

Notes

| | |
|---------------------|---|
| Assembly note | NOTE: Observe the permissible bending radii when routing cables, since the degree of protection may be at risk if the bending forces are too high. Reduce mechanical loads upstream of the connector, e.g., by using cable ties. |
| Note on application | Unused slots are to be sealed off prior to commissioning. Suitable sealing elements are to be found under "Accessories". |

Product properties

| | |
|---------------------|-----------------|
| Product type | Distributor box |
| Application | Standard |
| Number of positions | 3 |
| Number of slots | 10 |
| Coding | A |
| LED | yes |

Data management status

| | |
|------------------|----|
| Article revision | 01 |
|------------------|----|

System properties

Local diagnostics

| | |
|------------------------|----------------|
| Monitored function | Supply voltage |
| Optical representation | Green LED |

Electrical properties

| | |
|---|-------------------------------|
| Max. operating voltage U_{max} | 30 V DC |
| Local diagnostics | Supply voltage Green LED |
| | Status display I/O Yellow LED |
| Nominal voltage U_N | 24 V DC |
| Rated current, total | 6 A |
| Max. current carrying capacity per path | 2 A |
| Current carrying capacity per slot | 2 A |

Connection data

Conductor connection

| | |
|--|-----------|
| Sensor/actuator connection system | M8 socket |
| Tightening torque slot sensor/actuator cable | 0.2 Nm |

Pin assignment

| | |
|--|----------------|
| Slot/position = Wire color or connection | 1 / 4 (A) = WH |
| | 2 / 4 (A) = GN |
| | 3 / 4 (A) = YE |

SACB-10/3-L- 5,0PUR-M8 HD - Distributor box



1197325

<https://www.phoenixcontact.com/us/products/1197325>

| | |
|--|-----------------------|
| | 4 / 4 (A) = GY |
| | 5 / 4 (A) = PK |
| | 6 / 4 (A) = RD |
| | 7 / 4 (A) = BK |
| | 8 / 4 (A) = VT |
| | 9 / 4 (A) = WHPK |
| | 10 / 4 (A) = PKBN |
| | 1-10 / 1 (+24 V) = BN |
| | 1-10 / 3 (0 V) = BU |

Signaling

| | |
|------------------------|-----|
| Status display present | Yes |
|------------------------|-----|

Dimensions

| | |
|---------------------|----------|
| Dimensional drawing | |
| Width | 30 mm |
| Height | 20 mm |
| Length | 151.5 mm |

Material specifications

| | |
|---------------------------|----------|
| Material Threaded sleeve | Cu alloy |
| Material Housing | PBT |
| Material Molding compound | PUR |
| Seal material O-ring | FKM |
| Contact material | CuZn |
| Contact surface material | Ni/Au |
| Contact carrier material | PBT |

Cable/line

| | |
|--------------|-----|
| Cable length | 5 m |
|--------------|-----|

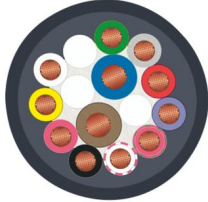
PUR/PVC black [PUR]

SACB-10/3-L- 5,0PUR-M8 HD - Distributor box



1197325

<https://www.phoenixcontact.com/us/products/1197325>

| | |
|---|---|
| Dimensional drawing |  |
| Cable weight | 111.1 kg/km |
| UL AWM Style | 20549 |
| Number of positions | 12 |
| Shielded | no |
| Cable type | PUR/PVC black [PUR] |
| Conductor structure signal line | 19x 0.15 mm |
| AWG signal line | 22 |
| Conductor cross section | 10x 0.34 mm ² (Signal line) 2x 0.75 mm ² (power line) |
| Wire diameter incl. insulation | 1.3 mm ±0.1 mm (Signal line) 1.8 mm ±0.1 mm (power line) |
| External cable diameter | 8.60 mm ±0.2 mm |
| Outer sheath, material | PUR |
| External sheath, color | black RAL 9005 |
| Conductor material | Bare Cu litz wires |
| Material wire insulation | PVC |
| Single wire, color | brown, blue, white, green, yellow, gray, pink, red, black, violet, white/pink, pink/brown |
| Inner sheath thickness | ≥ 0.15 mm |
| Thickness, outer sheath | ≥ 0.38 mm |
| Overall twist | Wires twisted in layers |
| Nominal voltage, cable | 300 V |
| Test voltage | 2000 V |
| Minimum bending radius, fixed installation | 7.5 x D |
| Minimum bending radius, flexible installation | 10 x D |
| Smallest bending radius, fixed installation | 65 mm |
| Smallest bending radius, movable installation | 86 mm |
| Dynamic load capacity (bending) | Max. bending cycles: 1500000, Bending radius: 86 mm, Traversing path: 2 m, Traversing rate: 2 m/s |
| Flame resistance | DIN EN 50265 |
| Resistance to oil | according to VDE 0472 Part 803 |
| Other resistance | Highly resistant to acids, alkaline solutions and solvents |
| Special properties | Silicone-free |
| Ambient temperature (operation) | -40 °C ... 90 °C (cable, fixed installation) -5 °C ... 80 °C (Cable, flexible installation) 80 °C (in acc. with UL) |

SACB-10/3-L- 5,0PUR-M8 HD - Distributor box



1197325

<https://www.phoenixcontact.com/us/products/1197325>

Environmental and real-life conditions

Ambient conditions

| | |
|---------------------------------|------------------|
| Degree of protection | IP67 |
| Ambient temperature (operation) | -25 °C ... 80 °C |

Standards and regulations

| | |
|--------------------------|-----------------|
| Standard designation | M8 connector |
| Standards/specifications | IEC 61076-2-104 |

SACB-10/3-L- 5,0PUR-M8 HD - Distributor box

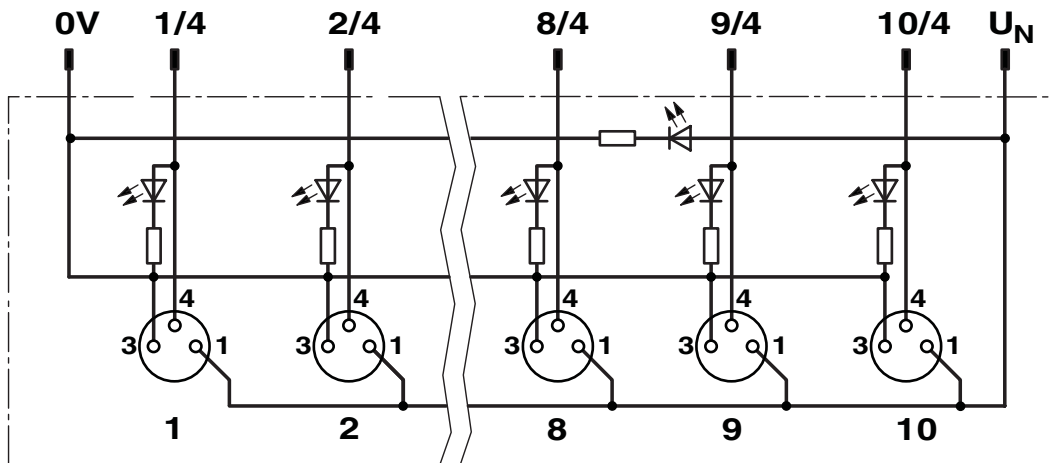


1197325

<https://www.phoenixcontact.com/us/products/1197325>

Drawings

Circuit diagram



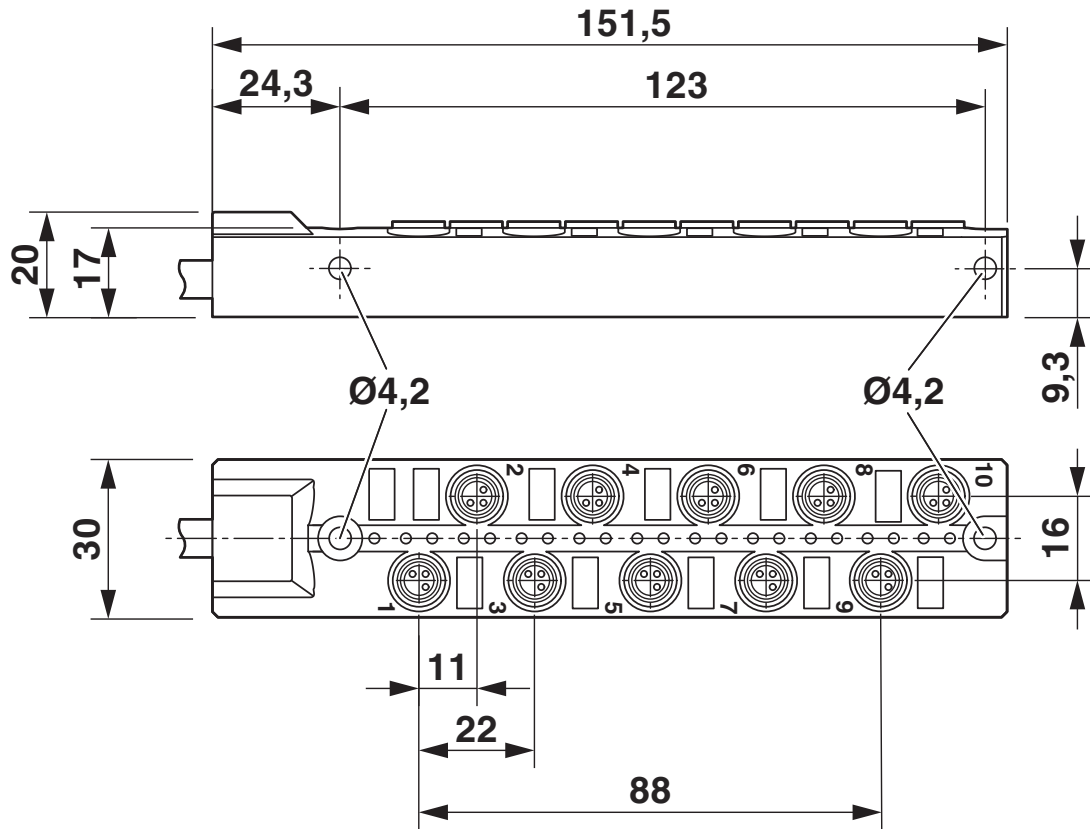
SACB-10/3-L- 5,0PUR-M8 HD - Distributor box



1197325

<https://www.phoenixcontact.com/us/products/1197325>

Dimensional drawing



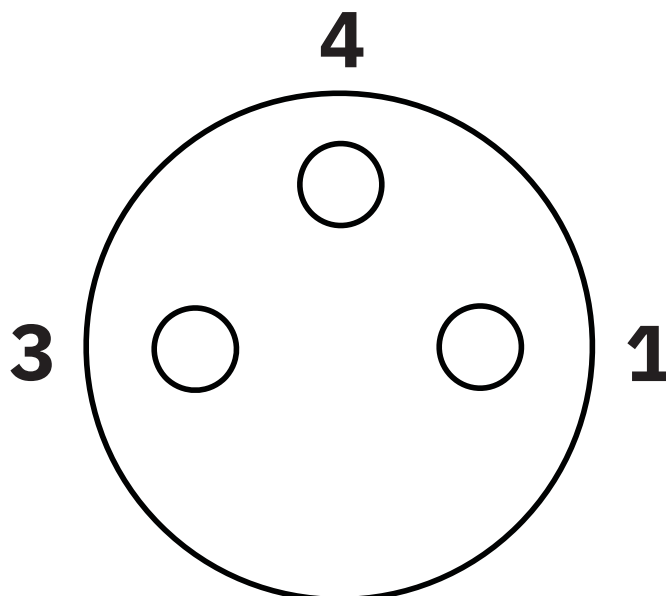
SACB-10/3-L- 5,0PUR-M8 HD - Distributor box

1197325

<https://www.phoenixcontact.com/us/products/1197325>



Schematic diagram



M8 slot, socket, 3-pos.

SACB-10/3-L- 5,0PUR-M8 HD - Distributor box





1197325

<https://www.phoenixcontact.com/us/products/1197325>

Approvals

To download certificates, visit the product detail page: <https://www.phoenixcontact.com/us/products/1197325>

|  UL Recognized Approval ID: FILE E 118976 | | | | |
|--|-----------------------|-----------------------|-------------------|----------------------|
| | Nominal voltage U_N | Nominal current I_N | Cross section AWG | Cross section mm^2 |
| | 24 V | - | - | - |

|  cUL Recognized Approval ID: FILE E 118976 | | | | |
|---|-----------------------|-----------------------|-------------------|----------------------|
| | Nominal voltage U_N | Nominal current I_N | Cross section AWG | Cross section mm^2 |
| | 24 V | - | - | - |

cULus Recognized

SACB-10/3-L- 5,0PUR-M8 HD - Distributor box



1197325

<https://www.phoenixcontact.com/us/products/1197325>

Classifications

ECLASS

| | |
|-------------|----------|
| ECLASS-11.0 | 27440108 |
| ECLASS-12.0 | 27440108 |
| ECLASS-13.0 | 27440108 |

ETIM

| | |
|----------|----------|
| ETIM 9.0 | EC002585 |
|----------|----------|

UNSPSC

| | |
|-------------|----------|
| UNSPSC 21.0 | 31251500 |
|-------------|----------|

SACB-10/3-L- 5,0PUR-M8 HD - Distributor box



1197325

<https://www.phoenixcontact.com/us/products/1197325>

Environmental product compliance

EU RoHS

| | |
|---|--------------------|
| Fulfills EU RoHS substance requirements | Yes, No exemptions |
|---|--------------------|

China RoHS

| | |
|--|--|
| Environment friendly use period (EFUP) | EFUP-E |
| | No hazardous substances above the limits |

EU REACH SVHC

| | |
|-------------------------------------|----------------------------|
| REACH candidate substance (CAS No.) | No substance above 0.1 wt% |
|-------------------------------------|----------------------------|

Phoenix Contact 2024 © - all rights reserved
<https://www.phoenixcontact.com>

Phoenix Contact USA
586 Fulling Mill Road
Middletown, PA 17057, United States
(+717) 944-1300
info@phoenixcon.com