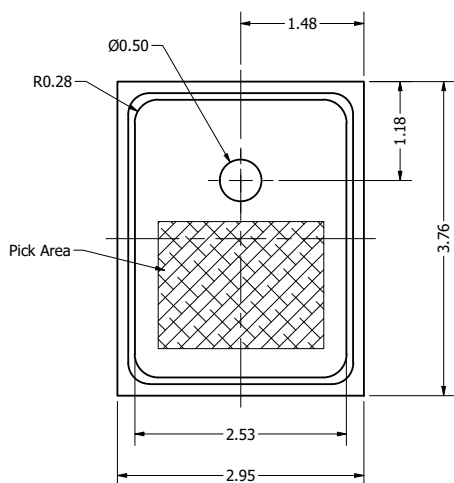
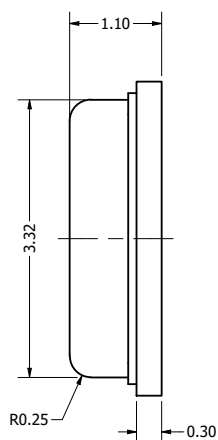


Part Number:	<b>MM034202-1</b>	
	DRAWN	2/2/2016
	CHECKED	3/18/2016
Description:	P.D.	3/18/2016
	APPROVED	3/18/2016
Analog MEMS Microphone		J.S.
This document contains data proprietary to DB Unlimited. Any use or reproduction, in any form, without prior written permission of DB Unlimited is prohibited. All terms and conditions can be found at <a href="http://www.dbunlimitedco.com">www.dbunlimitedco.com</a>		

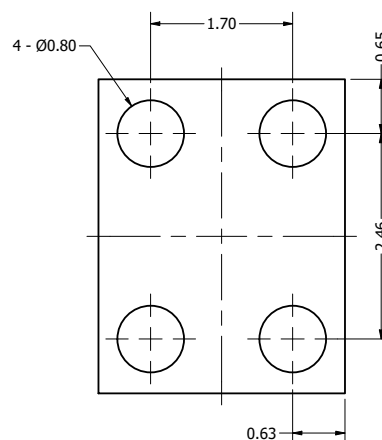
Top View



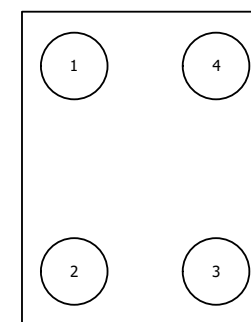
Side View



Bottom View (1)



Bottom View (2)



PINS			
PIN 1	PIN 2	PIN 3	PIN 4
VDD	GND	GND	OUTPUT

Items	Specifications	Conditions
Directivity	Omnidirectional	
Sensitivity	-42	dB
Frequency Range	70 ~ 16,000	Hz
Rated Voltage	2	V
Voltage Range	1.5 ~ 3.6	V
Output Impedance	300	Ω
Max. Rated Current	0.16	mA
Storage Temperature	-40 ~ +100	°C
Operating Temperature	-40 ~ +100	°C
Signal to Noise Ratio	58	dB
Mount Type	Surface Mount	
Connection Method	Surface Mount Pads	

REVISION HISTORY

REV	DESCRIPTION	DATE	APPROVED
	Released from Engineering	3/18/2016	J.S.
1	Updated impedance condition, pin 4 description	10/23/2018	C.E.

NOTES

- 1) All dimensions are in mm unless otherwise noted
- 2) All tolerances are ± 0.5 mm unless otherwise noted
- 3) All parts meet RoHS
- 4) Subject to change or redrawn without notice