

# Contact insert - VS-PSC 1,5/3-M - 1689310

Please be informed that the data shown in this PDF Document is generated from our Online Catalog. Please find the complete data in the user's documentation. Our General Terms of Use for Downloads are valid (<http://phoenixcontact.com/download>)

POWER-SUBCON header, for mounting side, shielded, color: green



## Key Commercial Data

Packing unit	10 pc
Minimum order quantity	10 pc
GTIN	
GTIN	4017918883768

## Technical data

### Mechanical characteristics

Number of positions	3
Insertion/withdrawal cycles	≥ 100
Connection method	Printed circuit connection
Conductor cross section	0.14 mm <sup>2</sup> ... 1.5 mm <sup>2</sup>
Connection cross section AWG	28 ... 16
Mounting type	Threads
Insulation resistance	1 TΩ
Type	09
Size of housing	3
Type of note	Notes on operation
Note	Only actuate MINI COMBICON connectors when under no load condition. If for operating reasons small loads must be switched, experimental values are available upon request.

### Ambient conditions

Ambient temperature (operation)	-20 °C ... 80 °C
---------------------------------	------------------

### Material data

## Contact insert - VS-PSC 1,5/3-M - 1689310

### Technical data

#### Material data

Flammability rating according to UL 94	V0
Contact carrier material	PA
Contact material	Copper alloy
Contact surface material	Tin-plated
Height	13.7 mm

#### Electrical characteristics

Number of positions	3
Rated current	8 A
Overvoltage category	III
Degree of pollution	3
Rated voltage (III/3)	250 V

#### Standards and Regulations

Flammability rating according to UL 94	V0
--	----

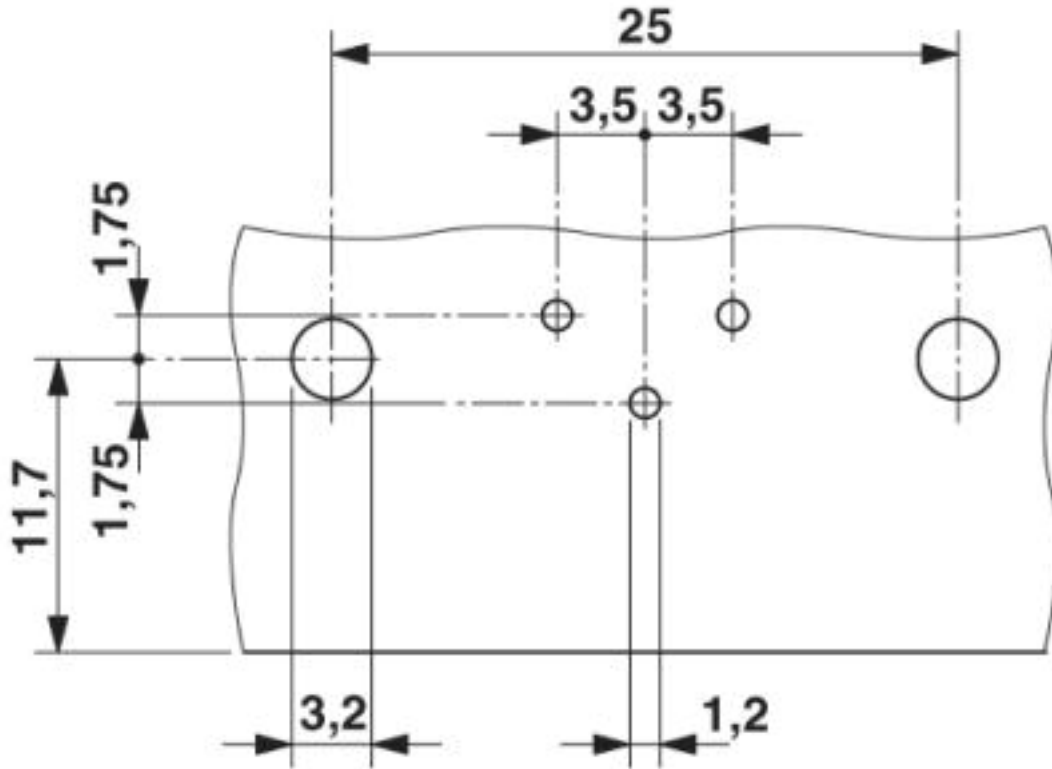
#### Environmental Product Compliance

REACH SVHC	Lead 7439-92-1
China RoHS	Environmentally friendly use period: unlimited = EFUP-e
	No hazardous substances above threshold values

### Drawings

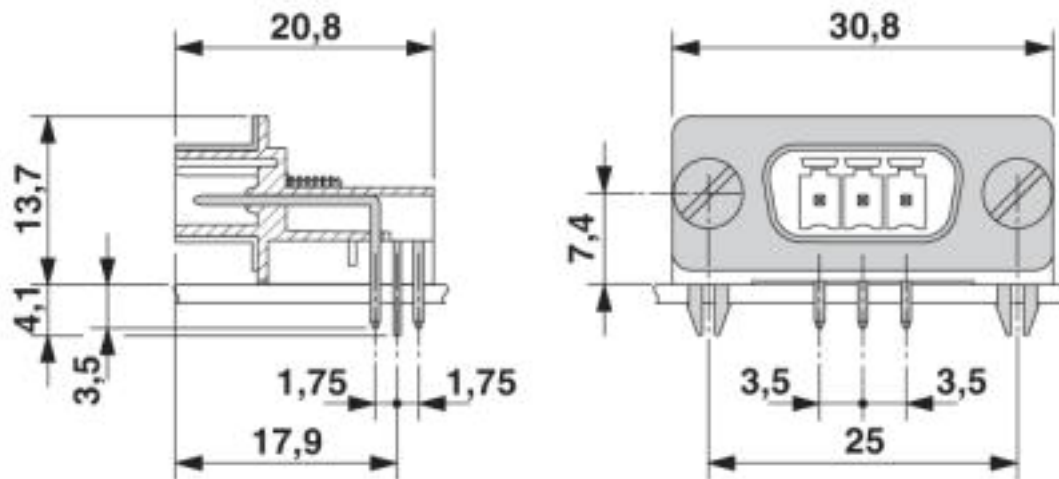
# Contact insert - VS-PSC 1,5/3-M - 1689310

Drilling diagram



Drilling diagram

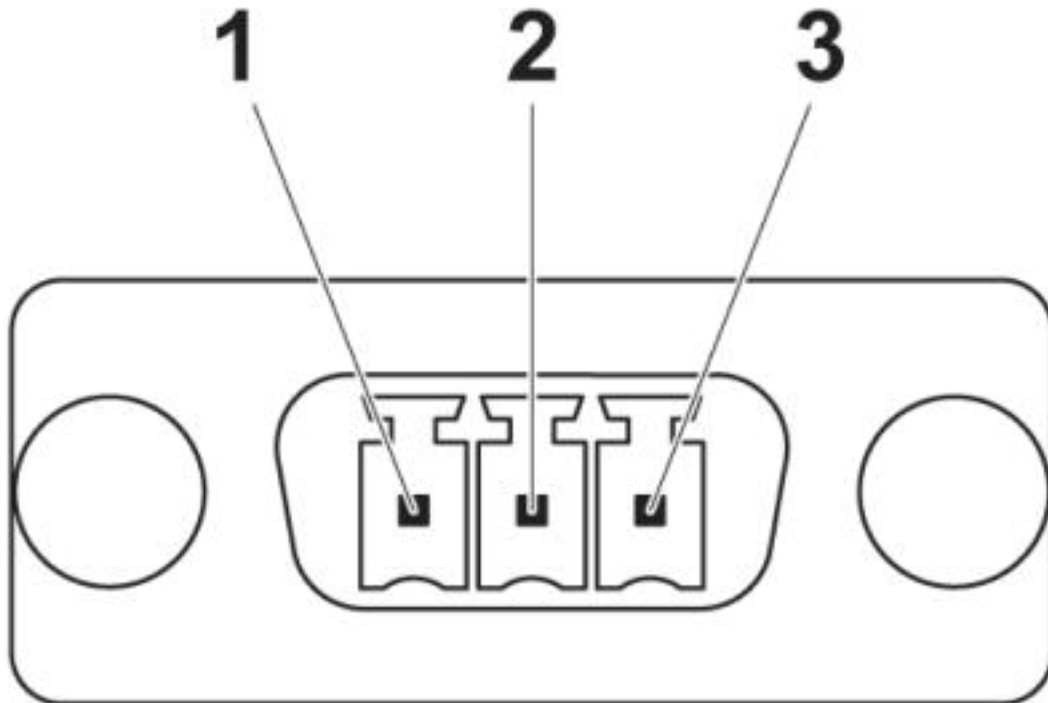
Dimensional drawing



POWER SUBCON contact insert

# Contact insert - VS-PSC 1,5/3-M - 1689310

Schematic diagram



Approvals

Approvals

---

Approvals

EAC

---

Ex Approvals

---

Approval details

EAC		B.01742
-----	--	---------

---

Phoenix Contact 2019 © - all rights reserved  
<http://www.phoenixcontact.com>

PHOENIX CONTACT GmbH & Co. KG  
Flachsmarktstr. 8  
32825 Blomberg  
Germany  
Tel. +49 5235 300  
Fax +49 5235 3 41200  
<http://www.phoenixcontact.com>