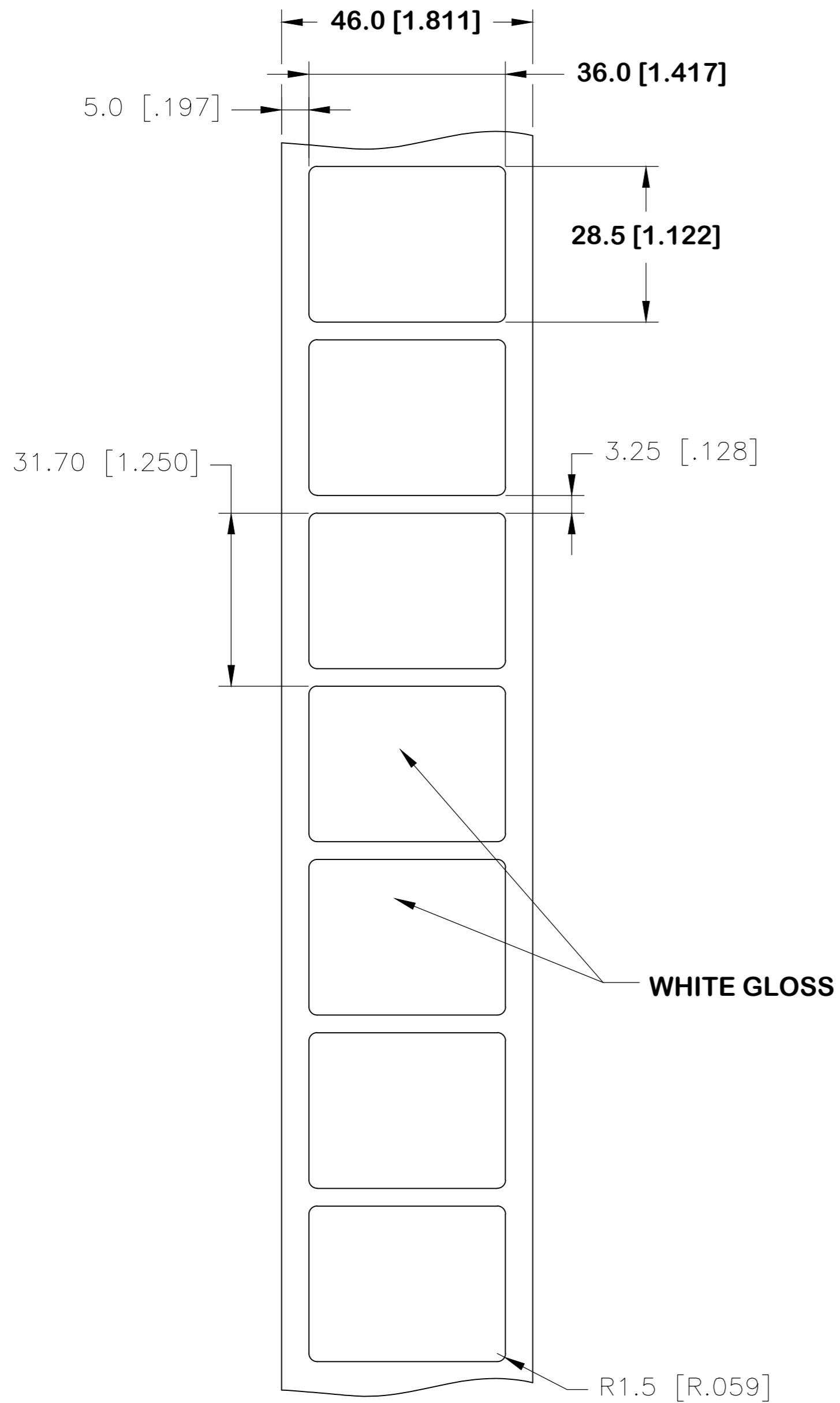
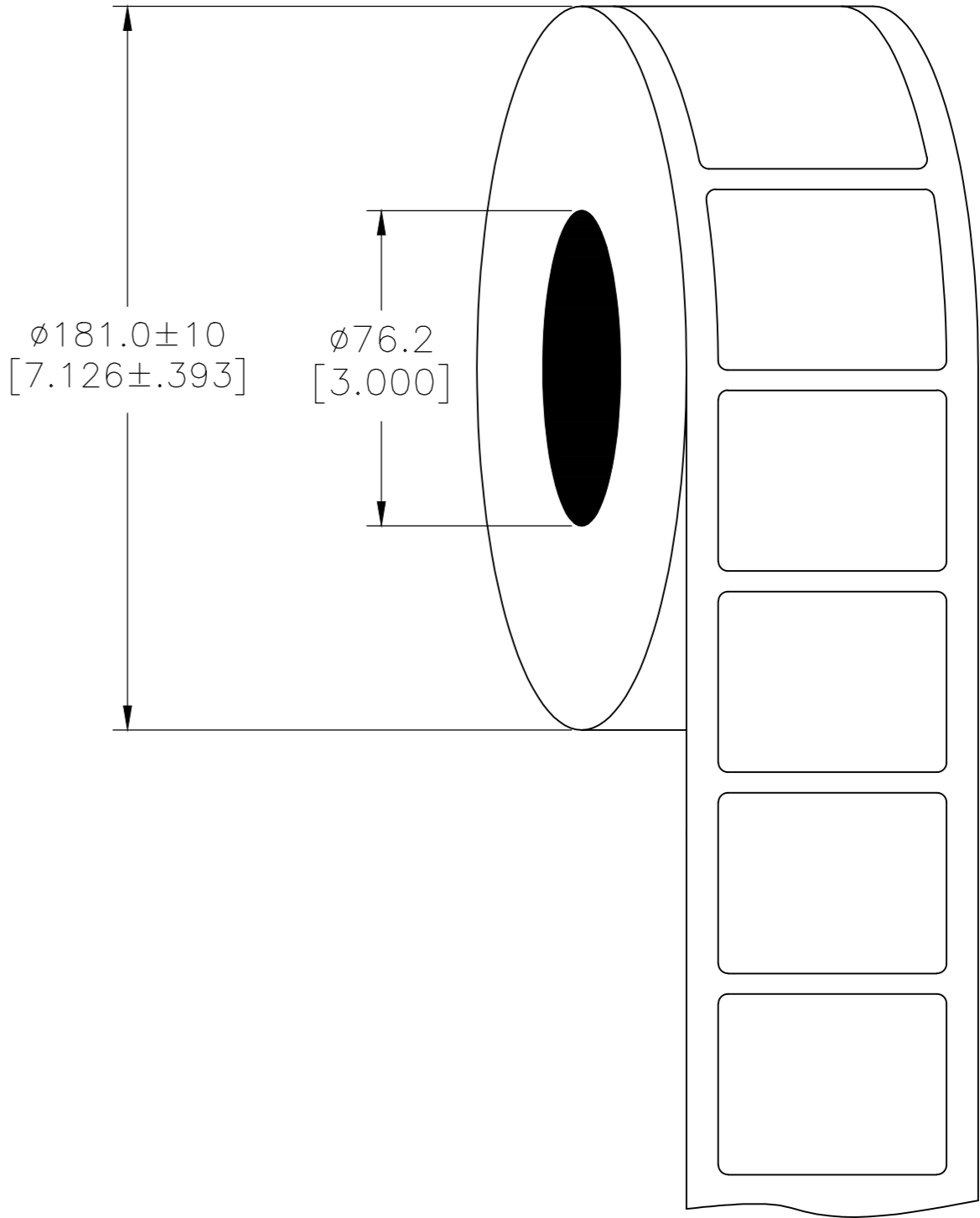


| REVISIONS |     |                  |           |     |      |
|-----------|-----|------------------|-----------|-----|------|
| P         | LTR | DESCRIPTION      | DATE      | DWN | APVD |
|           | A   | NEW DRAWING      | 21SEP2017 | GK  | DB   |
|           | A1  | UL TABLE UPDATED | 06JUN2018 | GK  | DB   |

### LABEL AND LINER DESIGN



### PRESENTATION



All dimensions in mm [Inch]

**TE PN: 2323552-1**

| UL-MARKING AND LABELLING SYSTEMS   |                             |                             |
|--|-----------------------------|-----------------------------|
| PGJ12 - Printing Materials - Component (UL 969)                                  |                             |                             |
| PGJ18 - Printing Materials Certified for Canada - Component (CSA C22.2 No. 0.15) |                             |                             |
| File: MH17292  | Product design: <b>PL-9</b> | Ribbon: TTB-XXXSC/YYYYAQ529 |

| TOLERANCES mm [INCH] |                   |
|----------------------|-------------------|
| LABEL HEIGHT:        | $\pm 0.3$ [.012]  |
| LABEL WIDTH:         | $\pm 0.3$ [.012]  |
| WEB WIDTH:           | $\pm 0.5$ [.020]  |
| VERTICAL REPEAT:     | $\pm 0.5$ [.020]* |
| HORIZONTAL REPEAT:   | $\pm 0.5$ [.020]* |
| LABEL POSITIONING:   | $\pm 0.5$ [.020]* |
| LEFT MARGIN:         | $\pm 0.5$ [.020]  |
| QUANTITY:            | -0 % +2 %         |
| *NON ACCUMULATING    |                   |

| DIMENSIONS: mm [INCHES] |       | TOLERANCES UNLESS OTHERWISE SPECIFIED: |       |
|-------------------------|-------|--|-------|
| 0 PLC                   | $\pm$ | 1 PLC                                  | $\pm$ |
| 1 PLC                   | $\pm$ | 2 PLC                                  | $\pm$ |
| 2 PLC                   | $\pm$ | 3 PLC                                  | $\pm$ |
| 3 PLC                   | $\pm$ | 4 PLC                                  | $\pm$ |
| 4 PLC                   | $\pm$ | ANGLES                                 | $\pm$ |

|                  |                       |                       |              |
|------------------|-----------------------|-----------------------|--------------|
| MATERIAL         | POLYESTER WHITE GLOSS |                       |              |
| ADHESIVE TYPE    | ACRYLIC PE FOAM       |                       |              |
| LINEAR           | BROWN KRAFT           |                       |              |
| DWN              | GOPALAKRISHNA HV      |                       |              |
| CHK              | D.BURGAT              |                       |              |
| APVD             | D.BURGAT              |                       |              |
| PRODUCT SPEC     | TTDS-245              |                       |              |
| APPLICATION SPEC | -                     |                       |              |
| WEIGHT           | 0.483g                | SIZE                  | A2           |
| CUSTOMER DRAWING | SCALE                 | NTS                   | SHEET 1 of 1 |
| MATERIAL         |                       | POLYESTER WHITE GLOSS |              |
| ADHESIVE TYPE    |                       | ACRYLIC PE FOAM       |              |
| LINEAR           |                       | BROWN KRAFT           |              |
| DWN              |                       | GOPALAKRISHNA HV      |              |
| CHK              |                       | D.BURGAT              |              |
| APVD             |                       | D.BURGAT              |              |
| PRODUCT SPEC     |                       | TTDS-245              |              |
| APPLICATION SPEC |                       | -                     |              |
| WEIGHT           |                       | 0.483g                | SIZE         |
| CUSTOMER DRAWING |                       | SCALE                 | NTS          |
|                  |                       | SHEET                 | 1 of 1       |
|                  |                       | REV                   | A1           |

# Mouser Electronics

Authorized Distributor

Click to View Pricing, Inventory, Delivery & Lifecycle Information:

[TE Connectivity:](#)

[2323552-1](#)