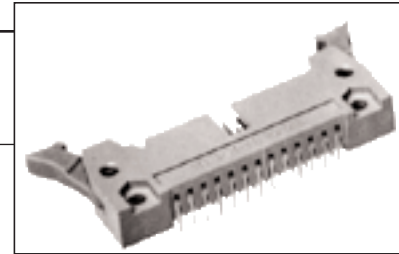


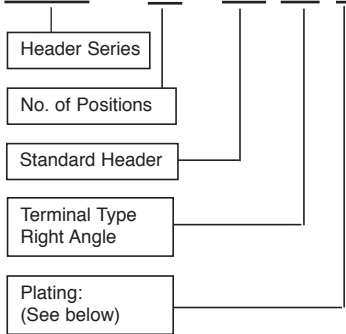
Latch Header (2.54mm, Right Angle)

FAP SERIES



ORDERING INFORMATION

FAP - ** - 07#2 *



Characteristics

Current Rating:	1.0A
Insulation Resistance:	1,000M Minimum at 500 VDC
Withstanding Voltage:	1000 VAC for 1 minute
Contact Resistance:	30m Max. at 10mA
Operating Temperature:	-20°C ~ +105°C

Material and Finish

Insulator:	High Temp Thermoplastic-UL94V-0
Contact:	Copper Alloy
Plating:	Mating Face Contacts: Au over Ni Terminals: Au over Ni

Features

1. Right-angle terminals
2. Short latches
3. Optional plating finishes
4. Central polarizing key

TYPES OF PLATING

FAP Series

Plating Type	Plating Type	Mating Face	Terminals
	Ni 2.5 ~ 4.5 μm	Au 0.30 μm Min.	Au 0.05 μm Min.

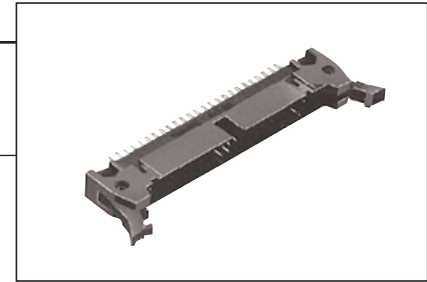
CONNECTOR DIMENSIONS (reference only)

FAP Series

Part Number	No. of Positions	Pitch	A	B	C	D	E	F
FAP—10—07# 2	10	2.54 mm	32.00	21.84	27.94	17.52	10.16	44.00
FAP—16—07# 2	16	2.54 mm	39.62	29.48	35.56	25.14	17.78	51.50
FAP—20—07# 2	20	2.54 mm	44.70	34.54	40.64	30.22	22.86	56.50
FAP—26—07# 2	26	2.54 mm	52.32	42.16	48.26	37.84	30.48	63.50
FAP—34—07# 2	34	2.54 mm	62.48	52.32	58.42	48.00	40.64	73.50
FAP—40—07# 2	40	2.54 mm	70.10	59.94	66.04	55.62	48.26	82.00
FAP—50—07# 2	50	2.54 mm	82.80	72.64	78.74	68.32	60.96	93.80
FAP—60—07# 2	60	2.54 mm	95.50	85.34	91.44	81.02	73.66	106.50
FAP—64—07# 2	64	2.54 mm	100.58	90.42	96.52	86.10	78.74	112.00

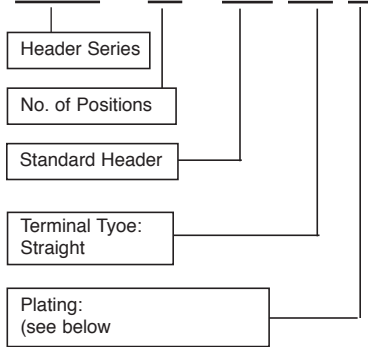
Latch Header (2.54mm, Straight)

FAP SERIES



ORDERING INFORMATION

FAP - ** - 07 #4 *



Characteristics

Current Rating:	1.0 A
Insulation Resistance:	1,000M Minimum at 500 VDC
Withstanding Voltage:	1000 VAC for 1 minute
Contact Resistance:	30m Max. at 10mA
Operating Temperature:	-20°C ~ +105°C

Material and Finish

Insulator:	High Temp Thermoplastic-UL94V-0
Contact:	Copper Alloy
Plating:	Mating Face Contacts: Au over Ni Terminals: Au over Ni

Features

1. Straight terminals
2. Short latches
3. Optional plating finishes
4. Central polarizing key

TYPES OF PLATING

FAP Series

Plating Type	Plating Type	Mating Face	Terminals
	Ni 2.5 ~ 4.5 μm	Au 0.30 μm Min.	Au 0.05 μm Min.

CONNECTOR DIMENSIONS (reference only)

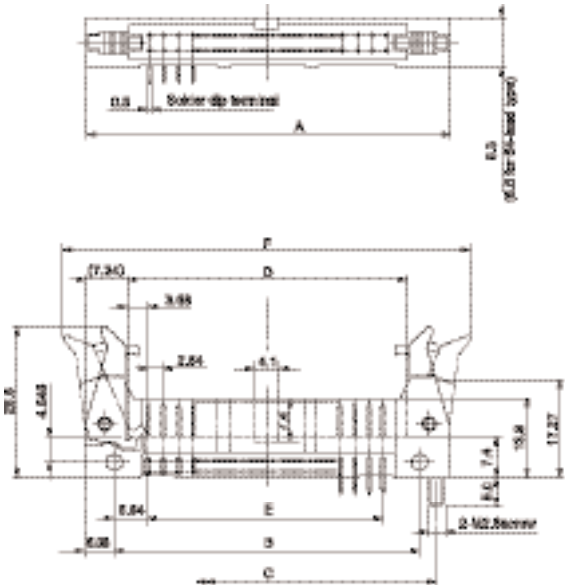
FAP Series

Part Number	No. of Positions	Pitch	A	B	C	D	E	F
FAP—10—07# 4	10	2.54 mm	32.00	21.84	27.94	17.52	10.16	44.00
FAP—16—07# 4	16	2.54 mm	38.62	29.48	35.56	25.14	17.78	51.50
FAP—20—07# 4	20	2.54 mm	44.70	34.54	40.64	30.22	22.86	58.50
FAP—26—07# 4	26	2.54 mm	52.32	42.18	48.26	37.84	30.48	63.50
FAP—34—07# 4	34	2.54 mm	62.48	52.32	58.42	48.00	40.64	73.50
FAP—40—07# 4	40	2.54 mm	70.10	59.94	66.04	55.62	48.26	82.00
FAP—50—07# 4	50	2.54 mm	82.80	72.64	78.74	68.32	60.96	93.80
FAP—60—07# 4	60	2.54 mm	95.50	85.34	91.44	81.02	73.66	106.50
FAP—64—07# 4	64	2.54 mm	100.58	90.42	96.52	86.10	78.74	112.00

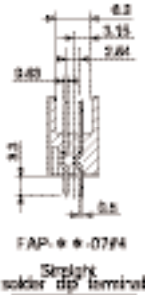
FAP SERIES

APPLICABLE DIMENSIONS (reference only)

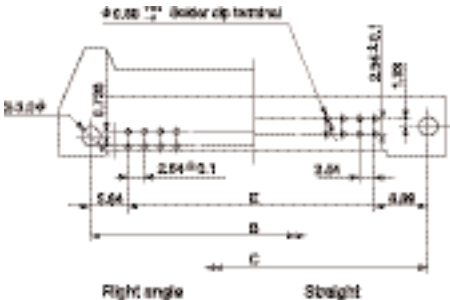
Connector Outline Dimensions



Contact Detail



PCB Layout



FA Connectors