

REVISION RECORD				
REV	ECN	DESCRIPTION	DRFT	DATE
A		NEW		22.5.30

NOTES1:
 UL Standard
 1. Rated voltage/current : 300V / 12A
 2. Withstanding voltage : AC1600V/1Min.
 3. Wire range : 28~14AWG

IEC Standard

1.

Pollution degree	2	2	3
Overvoltage category	II	III	III
Rate impulse voltage(KV)	2.5KV	2.5KV	2.5KV
Rate voltage(V)	320V	200V	200V
Rate current(A)	17.5A		

2. Wire range : 0.2~1.5mm²

NOTES2:
 1. Dimension shall be interpreted per ASME Y14.5-2009
 2. Pitch : 3.50mm, Poles : N=02~24P
 3. Stripping length : 8~9mm
 4. Operating temperature: -40°C~+130°C
 5. Undimensioned tolerances:

Pitch range in mm		Nominal dimension range in mm					0.1/10	
TO	Over	Over	Over	Over	Over			
6	10	10	30	60	100	150		
±0.15	±0.20	±0.30	±0.30	±0.50	±0.70	±1.00	±1.30	±2'

6. RoHS Compliance

Ordering Information

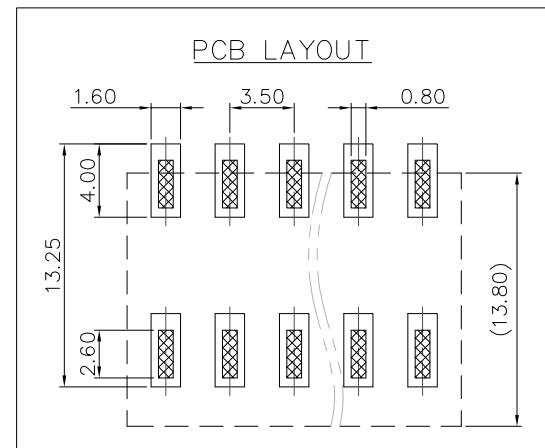
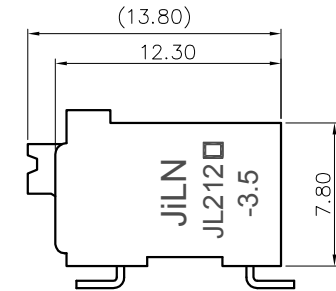
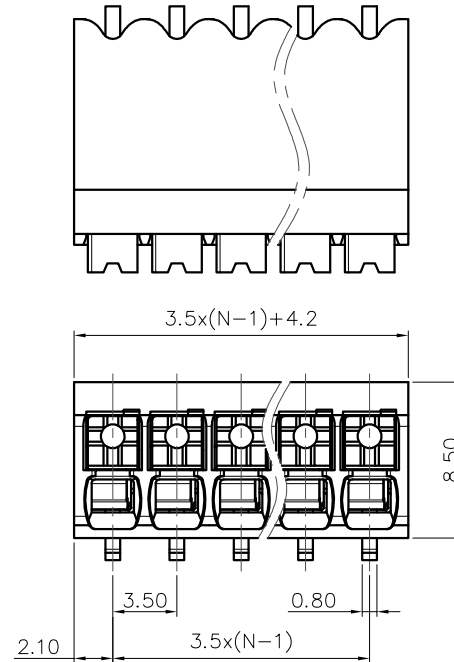
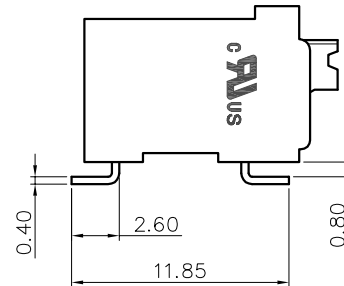
JL212R-SMT- 350 XX B P 1

Pitch
350=3.50PH

No. of pins
2P~24P

Housing Color
 B=Black
 G=Green
 U=Blue
 R=Red
 W=White
 Y=Yellow
 □=Orange
 E=Grey

Packing
 0=Pe bag
 T=Tube
 A=Tray
 P=Tube+Cap
 R=Reel+Cap
 M=Reel+Mylar



DRAW	SHUANGPING ZHENG	SCALE	FIT	JILN ® 东莞市锦凌电子有限公司 DONGGUAN JINLING ELECTRONIC CO.,LTD	
CHECK	LICHAD LIU	UNIT	mm		
APPROVE	YONGLIANG GAO	SIZE	A4	PART NO.	JL212R-SMT-350XXBP1
		SHEET	1/1	TITLE:	JL212R-SMT-THR-3.5-XXP 弹簧式/卧贴/ 黑色/管装
		PROJ.			