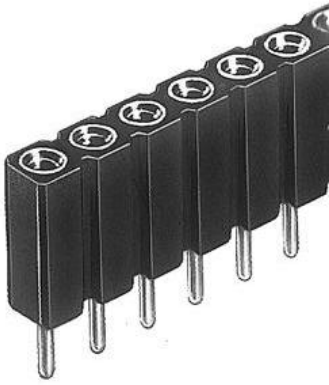


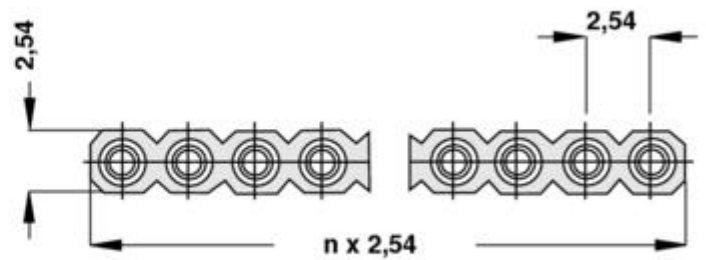
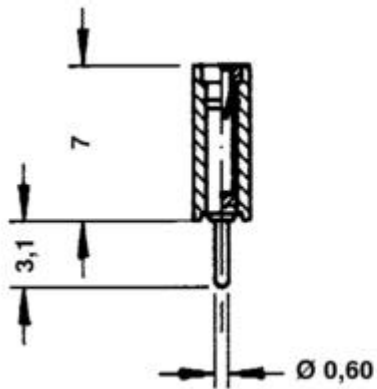
High-precision female headers soldering technique / **BL 5**



for square 0.635 mm and up to 0.85 mm  $\varnothing$

**Parameters of article BL 5**

version	standard
no. of contacts	1 - 36
angle	straight
number of rows	1
connection type	soldering
grid	2.54
plug-in cross-section	square 0.635 / $\varnothing$ 0.65 to 0.85
soldering	yes
Reflow solderable	yes



# Technical data PCB connectors

	BL 5-10, 15-17, 20
Contact material: shell	CuZn-alloy
Contact surface of the shell: gold/tin	only tin: Ni + 6 µm Sn
Contact spring: material/surface	CuBe-alloy / Ni + 0,75 µm Au
Transition resistance:	≤ 10 mOhm
Shock resistance:	50 g
Vibration resistance max.:	15 g
Capacity between two adjacent contacts:	≤ 0,3 pF
Current rating:	3 A
Nominal voltage:	100 V AC / 150 V DC
Test voltage:	1500 V
Insulator: material	PA 4,6, GF
Temperature range:	-40 °C ... +163 °C (+260 °C 1 min.)
Flammability class:	UL 94 V-0
Insulation resistance:	> 10 <sup>12</sup> Ohm
Plugability for pins:	□ 0,55 x 0,55 mm to □ 0,65 x 0,65 mm, Ø 0,65...0,85 mm
Insertion depth for pins:	2,5 ... 6 mm
Insertion/Extraction, type:	6-fingers: 1,27 N/0,3 N