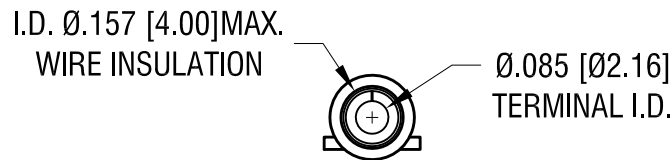
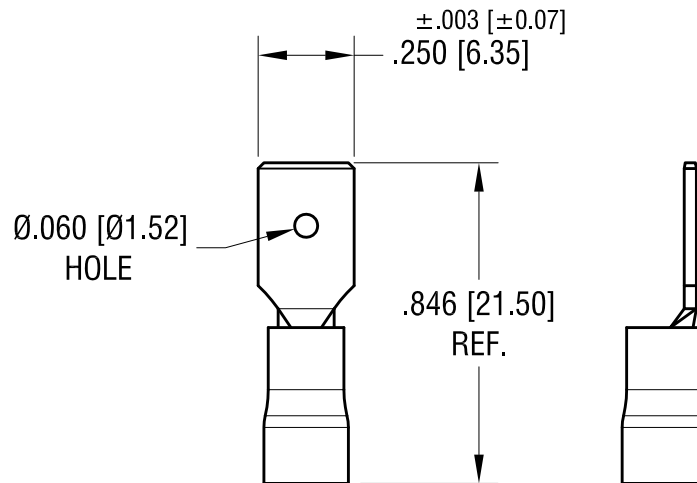


THIS DOCUMENT IS THE PROPERTY OF  
KEYSTONE ELECTRONICS CORP. AND  
SHALL NOT BE REPRODUCED, DISTRIBUTED  
OR USED AS A BASIS FOR MANUFACTURE  
WITHOUT PRIOR WRITTEN PERMISSION  
FROM KEYSTONE ELECTRONICS CORP.

ACTUAL SIZE



**NOTE:**

1. TERMINAL: .032 [0.81] TH'K COPPER, TIN PLATE  
INSULATOR: VINYL, BLUE
2. ACCOMMODATES WIRE RANGE 16/14 AWG

<b>KEYSTONE ELECTRONICS CORP.</b>			
www.keyelco.com • NEW HYDE PARK, NY 11040 • Tel (516) 328-7500			
PART NAME			
INSULATED QUICK-FIT TERMINAL, MALE			
MATERIAL			
AS NOTED			
FINISH		DRN BY	DATE
AS NOTED		BOONE	11.05.07
		APP'D	SCALE
		RH	2X
DATE	DESCRIPTION	REV.	DWG NO.
4.21.23	CHANGE AS PER ECN 23-065	A	<b>8289</b>
TOLERANCES		INCH	[MM]
DECIMAL		± .010	[± 0.25 ]
ANGULAR		± 1°	
UNLESS OTHERWISE SPECIFIED			
		CODE	
		C	

DATE	DESCRIPTION	REV.
4.21.23	CHANGE AS PER ECN 23-065	A