

ABI-049-RC ELECTRO MECHANICAL INDICATOR

SOUNDERS

Specifications

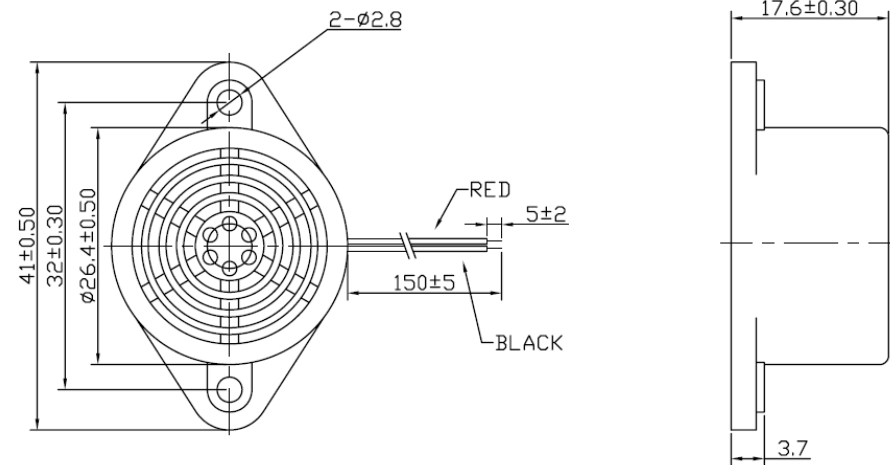
| | ABI-049-RC |
|-----------------------|--------------|
| Rated voltage | 12VDC |
| Operating voltage | 7~16VDC |
| Rated current* | ≤23mA |
| Sound output at 30cm* | ≥95dB |
| Resonant frequency | 400±100Hz |
| Tone | Single |
| Operating temperature | -20~+60°C |
| Storage temperature | -30~+70°C |
| Housing Material | ABS (White) |
| Lead Material | UL1007 AWG28 |
| Weight | 17g |

* Value applying at rated voltage (DC)

Features

- ROHS compliant
- White in colour
- Fitted with flying leads
- Panel or base flange mounted
- Housing material: ABS

All data at 25°C unless otherwise specified



Dimensions Unit: mm Tolerance: ±0.5mm



ALAN BUTCHER COMPONENTS LTD

Alan Butcher Components Ltd

Unit 1 Beechwood Clump Farm Industrial Estate Tin Pot Lane Blandford Dorset DT11 7TD

Telephone 01258 456360 Facsimile 01258 459194 Email sales@abcomponents.co.uk

www.abcomponents.co.uk



BS EN ISO 9001 Certification No 5239