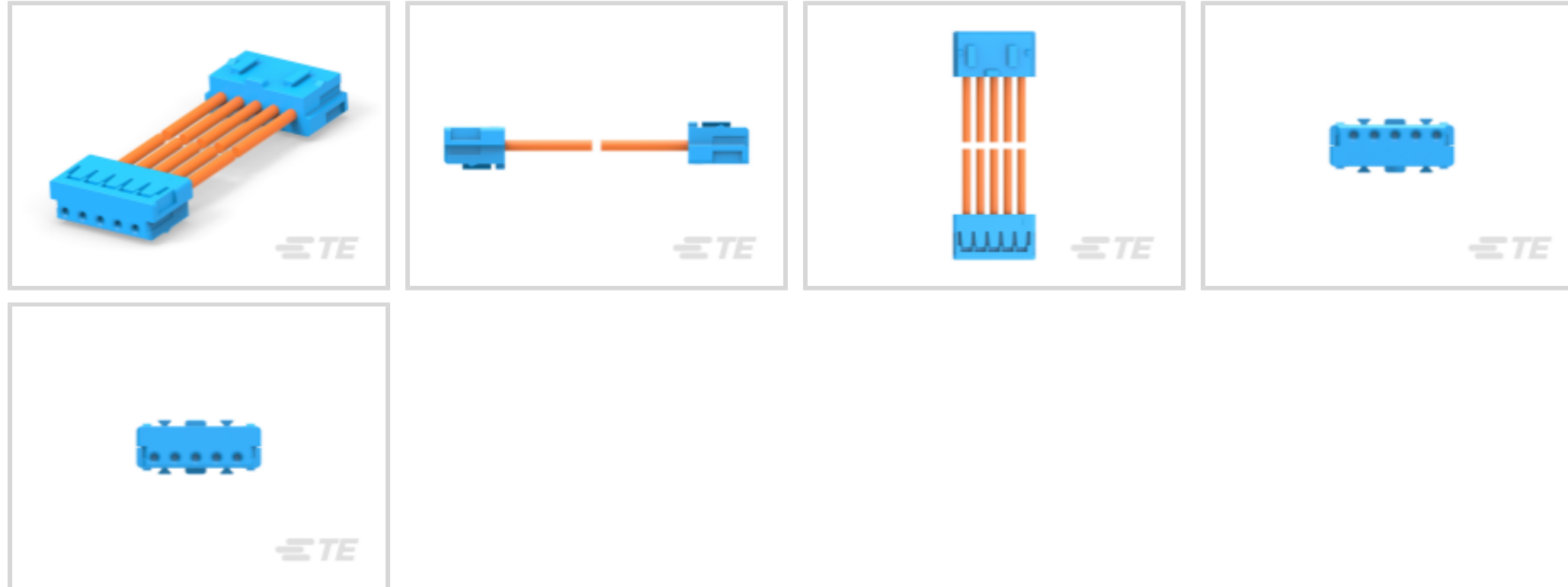




Cable Assemblies > Copper Cable Assemblies > Internal I/O Cable Assemblies



Cable Assembly Type: **CT**

Cable Style: **Discrete Pair**

Number of Positions: **5**

Number of Signal Positions: **5**

Wire Size: **24 AWG**

Features

Product Type Features

Cable Assembly Type	CT
Cable Style	Discrete Pair

Configuration Features

Number of Positions	5
Number of Signal Positions	5

Dimensions

Wire Size	24 AWG
-----------	--------

Other

Cable Assembly Length	.3 m
-----------------------	------

Product Compliance

[For compliance documentation, visit the product page on TE.com>](#)

EU RoHS Directive 2011/65/EU	Compliant
EU ELV Directive 2000/53/EC	Not Yet Reviewed
China RoHS 2 Directive MIIT Order No 32, 2016	No Restricted Materials Above Threshold



EU REACH Regulation (EC) No. 1907/2006

Current ECHA Candidate List: JUNE 2024 (241)

Candidate List Declared Against: JUNE 2024 (241)

Does not contain REACH SVHC

Halogen Content

Not Low Halogen - contains Br or Cl > 900 ppm.

Solder Process Capability

Not reviewed for solder process capability

Product Compliance Disclaimer

This information is provided based on reasonable inquiry of our suppliers and represents our current actual knowledge based on the information they provided. This information is subject to change. The part numbers that TE has identified as EU RoHS compliant have a maximum concentration of 0.1% by weight in homogenous materials for lead, hexavalent chromium, mercury, PBB, PBDE, DBP, BBP, DEHP, DIBP, and 0.01% for cadmium, or qualify for an exemption to these limits as defined in the Annexes of Directive 2011/65/EU (RoHS2). Finished electrical and electronic equipment products will be CE marked as required by Directive 2011/65/EU. Components may not be CE marked. Additionally, the part numbers that TE has identified as EU ELV compliant have a maximum concentration of 0.1% by weight in homogenous materials for lead, hexavalent chromium, and mercury, and 0.01% for cadmium, or qualify for an exemption to these limits as defined in the Annexes of Directive 2000/53/EC (ELV). Regarding the REACH Regulation, the information TE provides on SVHC in articles for this part number is based on the latest European Chemicals Agency (ECHA) 'Guidance on requirements for substances in articles' posted at this URL: <https://echa.europa.eu/guidance-documents/guidance-on-reach>

Compatible Parts



TE Part # 292173-5
CT BOX HDR H SMT 5P O/TAPE BLA



TE Part # CAT-3983178-PHBXVD
CT 2mm Post Header Asmby: Box V DIP



TE Part # 292172-5
CT POST HDR ASSY 5P IN-TUBE BL



TE Part # CAT-3980407-RHDRRA
CT 2mm Header Assembly: Right Angle



TE Part # 292156-5
CT RELAY HDR ASSY FREE HANGING

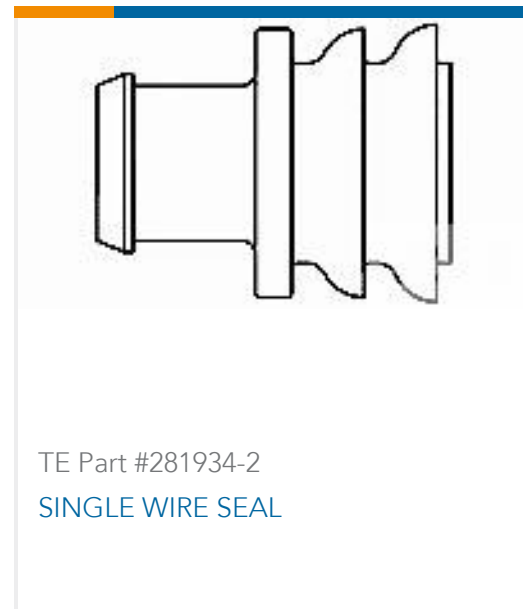


TE Part # 292254-5
CT RELAY HDR ASSY 5P NAT



TE Part # 292174-5
CT BOX HDR V SMT 5P O/TAPE NAT

Customers Also Bought



Documents

Product Drawings

[CT 5P 300MM CABLE ASSEMBLY 2-179228-5](#)

English

CAD Files

[3D PDF](#)

3D

Customer View Model

[ENG_CVM_CVM_2405869-5_A.3d_igs.zip](#)

English

Customer View Model

[ENG_CVM_CVM_2405869-5_A.2d_dxf.zip](#)

English

Customer View Model

[ENG_CVM_CVM_2405869-5_A.3d_stp.zip](#)

English

By downloading the CAD file I accept and agree to the [Terms and Conditions](#) of use.

Datasheets & Catalog Pages

[2.0MM_AMP_CT_CONNECTOR_SERIES_QUICK_REF_GUIDE](#)

English