

MICRO SWITCH
A DIVISION OF MINNEAPOLIS-HONEYWELL REGULATOR COMPANY
PISCATAWAY, NEW JERSEY
FED. MFR. CODE 91929

ACTUATOR-SWITCH

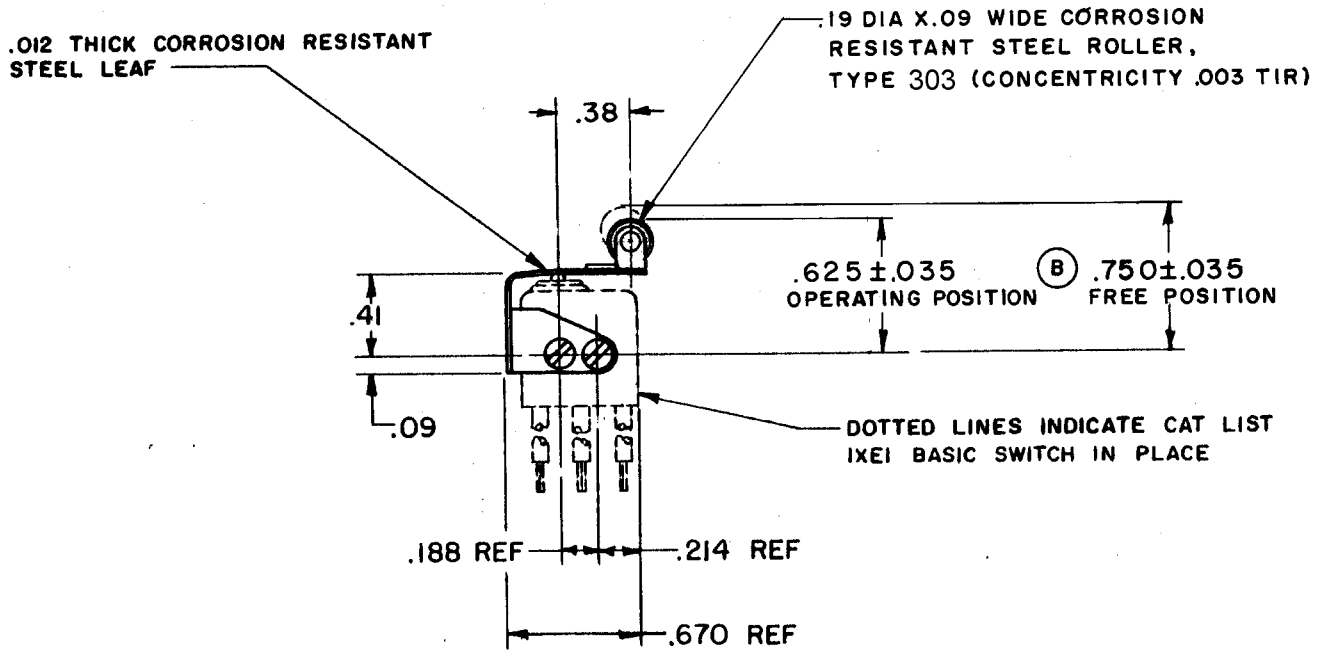
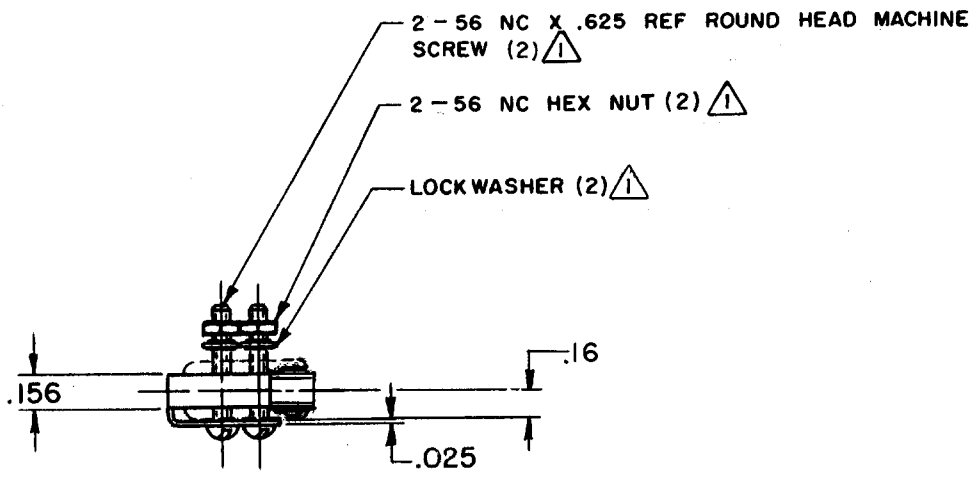
(M) SKETCH 29120
ISSUE 1

JM-5
M
DRAWING NUMBER
7
ISSUE

REVISIONS

| | | | |
|---|---------|-----|-----------|
| A | 0017844 | OHW | 26 FEB 63 |
| B | 0018559 | VDF | 17 OCT 63 |
| C | 0047771 | CJH | 17 MAY 80 |
| D | 0074078 | LJF | 25 NOV 92 |
| E | 0079303 | DLT | 6 MAR 95 |
| F | 0015428 | SPK | 14 SEP 05 |

REPLACES ISSUE 1
RELEASE NO. SR 9307
28 SEP 60
BLS
RJP
CHECK
7 NOV 60
GCH
CHECK
27 SEP 60
DRAWN
MBF



NOTE - \triangle - FURNISHED UNASSEMBLED

| | | |
|-------|----|---------|
| CHECK | RJ | 14SEP05 |
|-------|----|---------|

THIS DRAWING COVERS A PROPRIETARY ITEM AND IS THE PROPERTY OF MICRO SWITCH, A DIVISION OF MINNEAPOLIS-HONEYWELL REGULATOR CO. THIS DRAWING IS NOT TO BE COPIED OR USED WITHOUT THE APPROVAL OF MICRO SWITCH.

| CHARACTERISTICS WITH IXE1 BASIC SWITCH INSTALLED |
|--|
| OPERATING FORCE ----- 21 OZ MAX |
| RELEASE FORCE ----- (A) --- 3 OZ MIN |
| DIFFERENTIAL TRAVEL ----- .012 MAX |
| OVERTRAVEL ----- .009 MIN |

| ELECTRICAL DATA | |
|---------------------|----------------|
| CONTACT ARRANGEMENT | BREAK DISTANCE |

| SCALE FULL |
|---|
| DO NOT SCALE PRINT |
| UNLESS OTHERWISE SPECIFIED DIMENSIONS ARE IN INCHES |
| TOLERANCES ARE: |
| ONE PLACE (.0) \pm .030 |
| TWO PLACE (.00) \pm .015 |
| THREE PLACE (.000) \pm .008 |
| ANGLES \pm |
| WEIGHT |