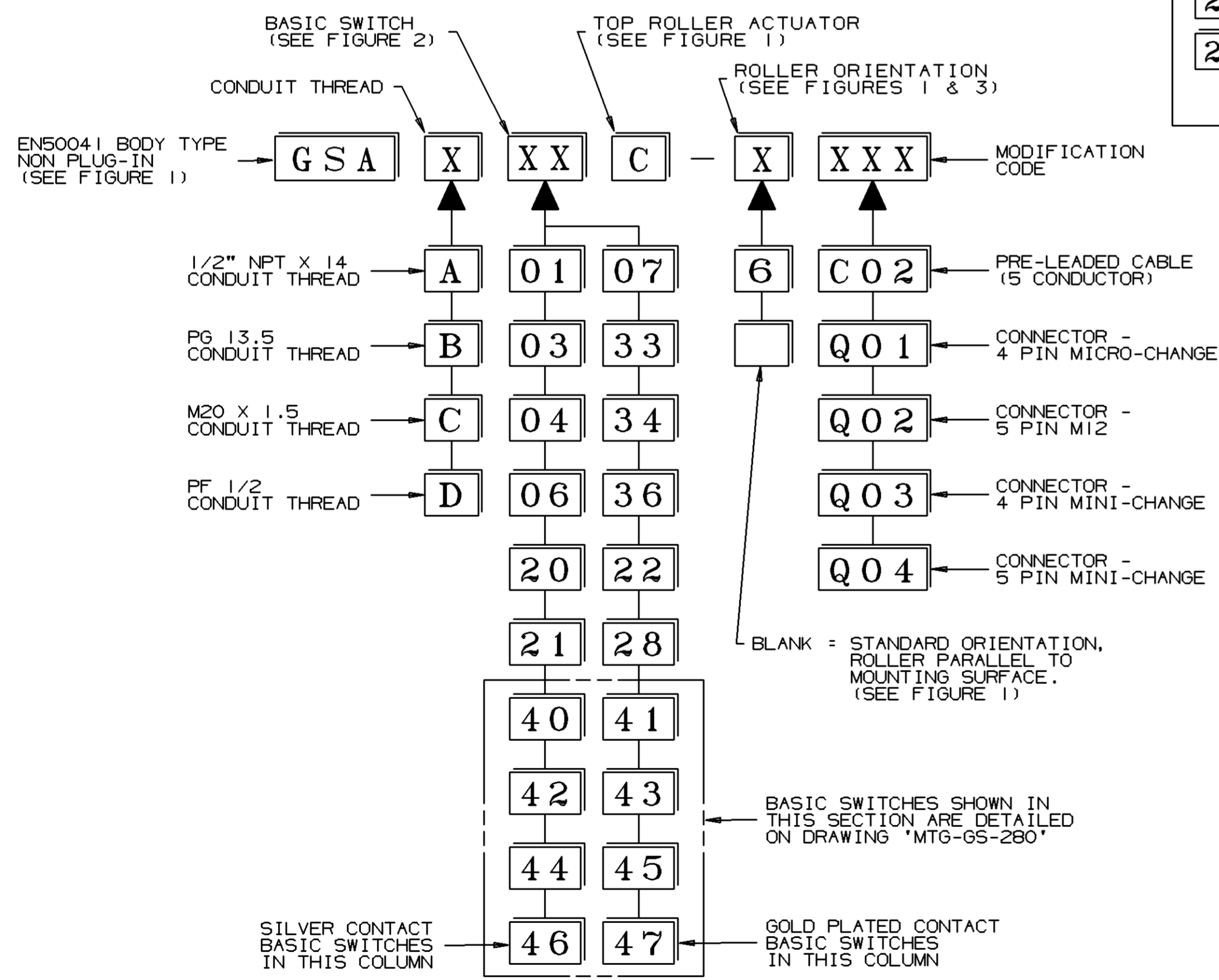
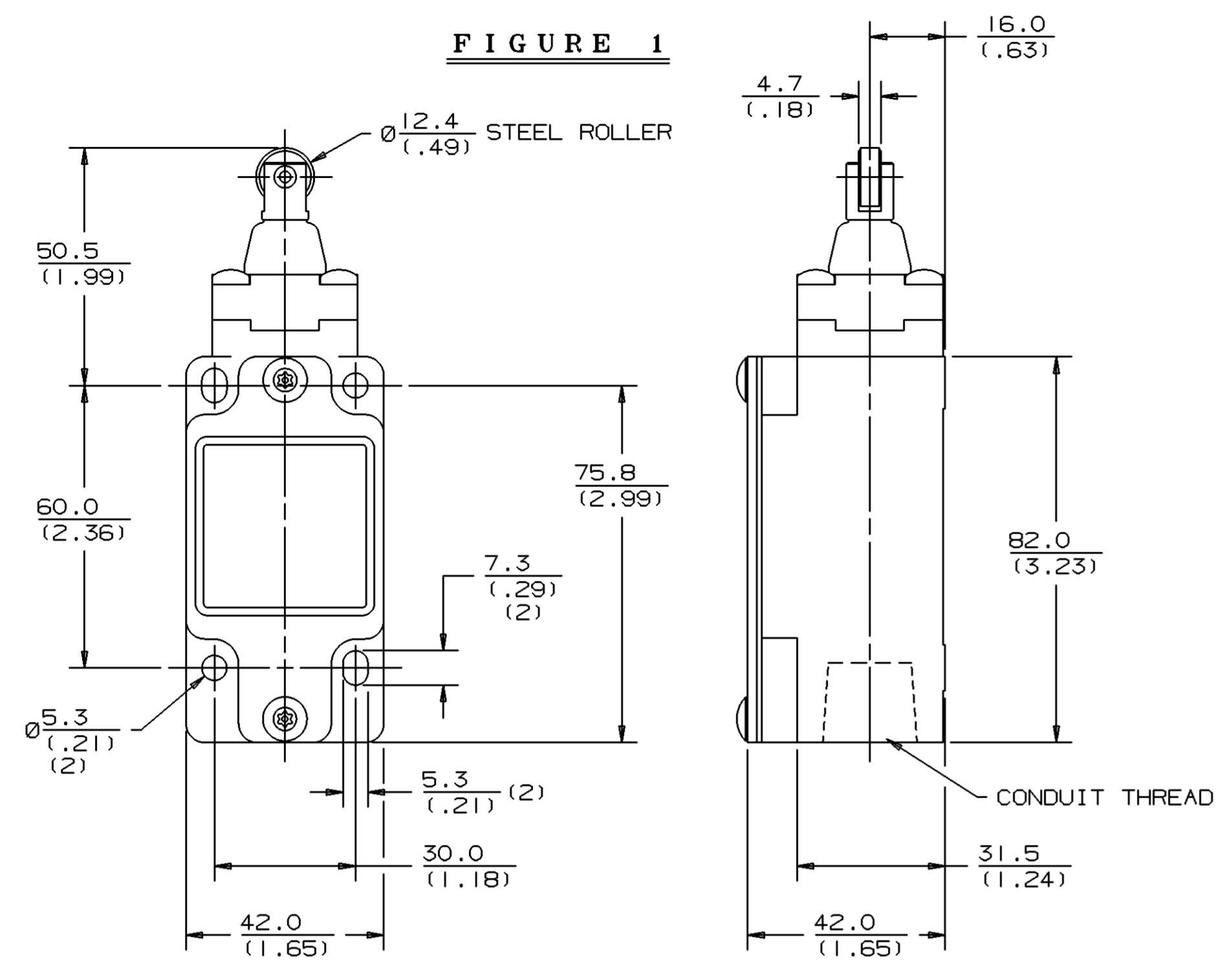


**MTG-GS-248**  
 DO NOT SCALE PRINT  
 REPLACES (M) GS SERIES CHART 1  
 DRAWING NUMBER CO/542  
**4**  
 ISSUE RELEASE NUMBER

REVISIONS  
 2 CO/703  
 IW 11/98  
 3 0022231  
 BNA 31MAY06  
 4 0094575  
 SBT 0906112



BASIC SWITCH (SEE FIGURE 2)  
 TOP ROLLER ACTUATOR (SEE FIGURE 1)  
 ROLLER ORIENTATION (SEE FIGURES 1 & 3)  
 CONDUIT THREAD

EN50041 BODY TYPE NON PLUG-IN (SEE FIGURE 1)	<b>GSA</b>	<b>X</b>	<b>XX</b>	<b>C</b>	<b>X</b>	<b>XXX</b>	MODIFICATION CODE
1/2" NPT X 14 CONDUIT THREAD	<b>A</b>	<b>01</b>	<b>07</b>	<b>6</b>	<b>C02</b>		PRE-LEADED CABLE (5 CONDUCTOR)
PG 13.5 CONDUIT THREAD	<b>B</b>	<b>03</b>	<b>33</b>		<b>Q01</b>		CONNECTOR - 4 PIN MICRO-CHANGE
M20 X 1.5 CONDUIT THREAD	<b>C</b>	<b>04</b>	<b>34</b>		<b>Q02</b>		CONNECTOR - 5 PIN M12
PF 1/2 CONDUIT THREAD	<b>D</b>	<b>06</b>	<b>36</b>		<b>Q03</b>		CONNECTOR - 4 PIN MINI-CHANGE
					<b>Q04</b>		CONNECTOR - 5 PIN MINI-CHANGE
					<b>20</b>	<b>22</b>	
					<b>21</b>	<b>28</b>	
					<b>40</b>	<b>41</b>	
					<b>42</b>	<b>43</b>	BASIC SWITCHES SHOWN IN THIS SECTION ARE DETAILED ON DRAWING 'MTG-GS-280'
					<b>44</b>	<b>45</b>	
					<b>46</b>	<b>47</b>	SILVER CONTACT BASIC SWITCHES IN THIS COLUMN
							GOLD PLATED CONTACT BASIC SWITCHES IN THIS COLUMN

BLANK = STANDARD ORIENTATION,  
 ROLLER PARALLEL TO  
 MOUNTING SURFACE.  
 (SEE FIGURE 1)

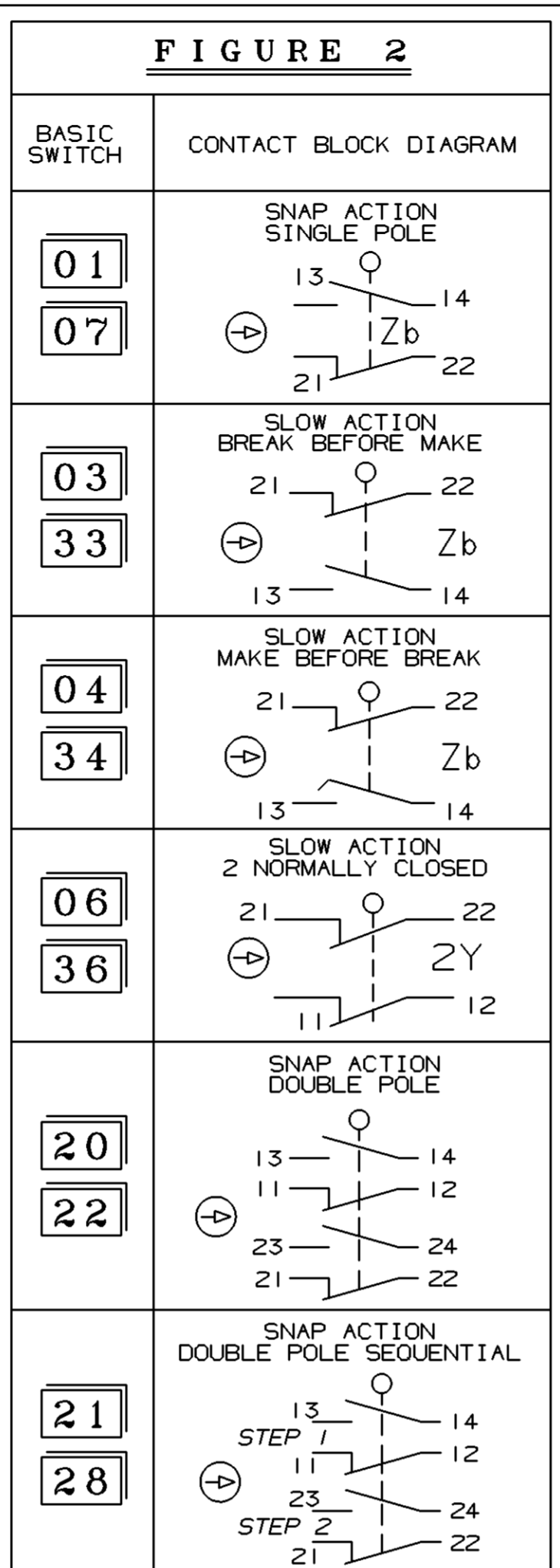
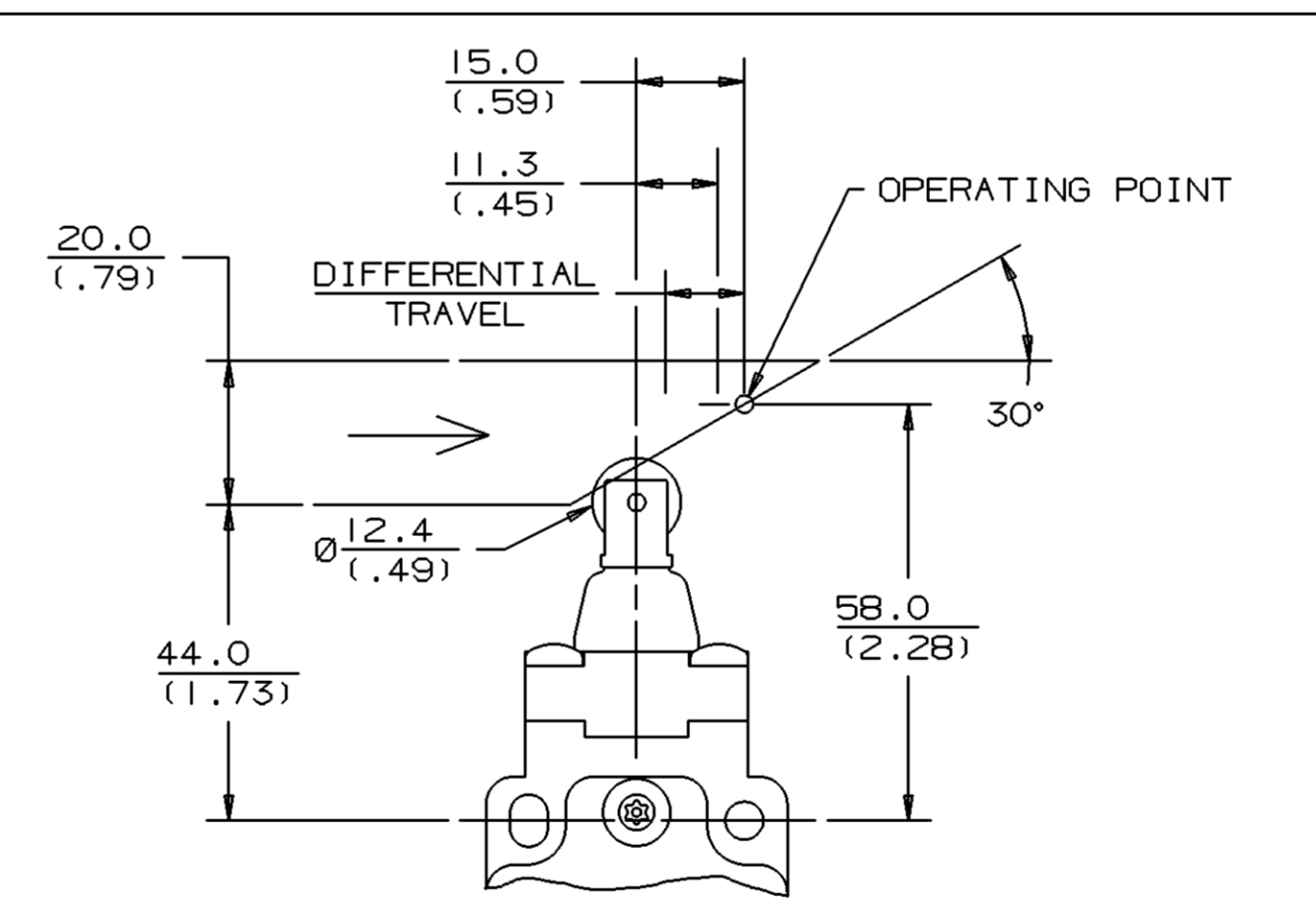
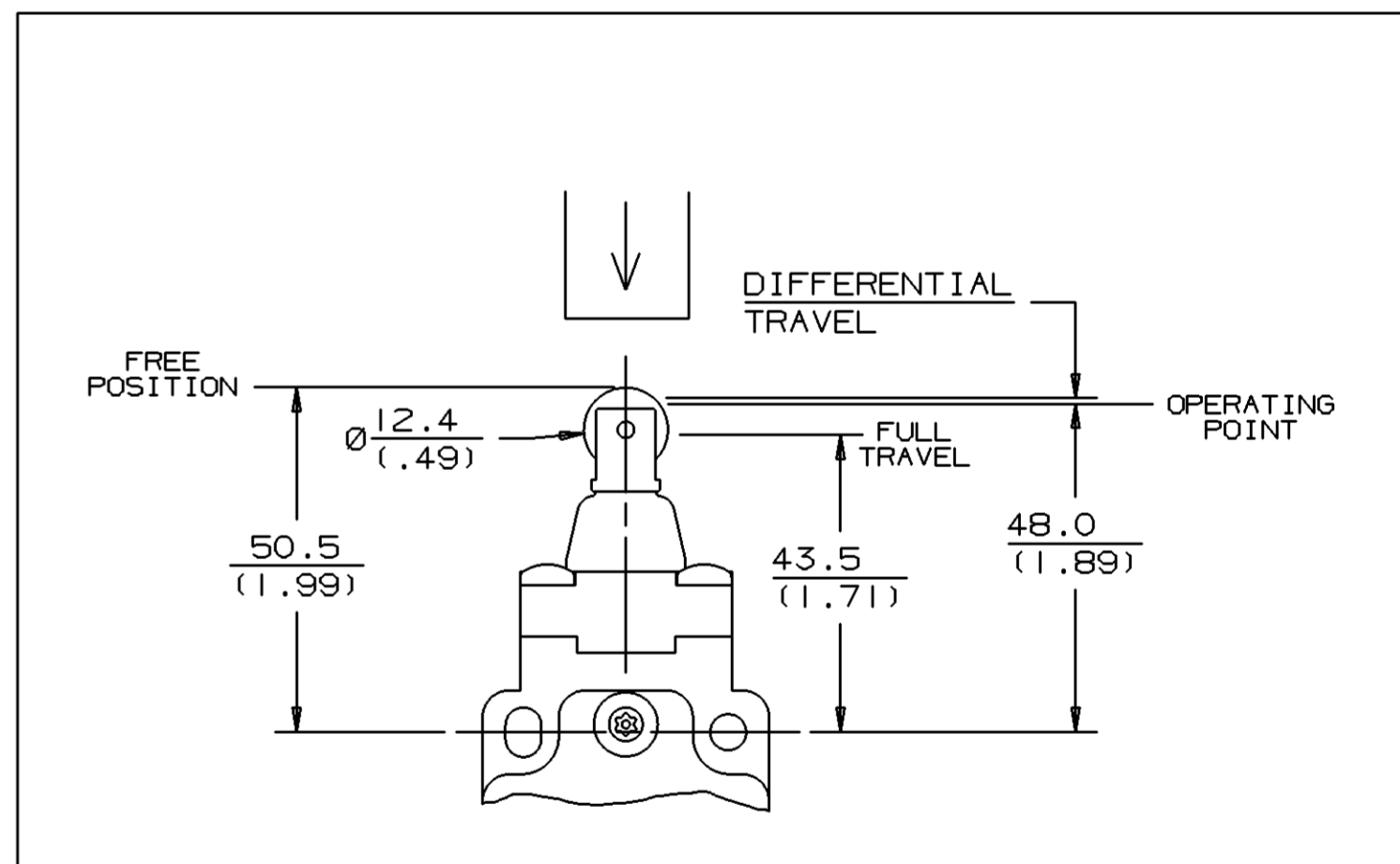


FIGURE 2		CAM ACTUATION PER EN50041		PIN ACTUATION	
BASIC SWITCH	CONTACT BLOCK DIAGRAM	NOMINAL TRAVELS AND RELATED TERMINALS - CONTACT CLOSED □ - CONTACT OPEN ▨ - CONTACT CLOSED DIFFERENTIAL TRAVEL, ** POSITIVE OPENING TO IEC 947-5-1 DIMENSIONS IN mm	MAXIMUM OPERATING FORCE N LB	MAXIMUM DISCONNECT FORCE N LB	NOMINAL TRAVELS AND RELATED TERMINALS - CONTACT CLOSED □ - CONTACT OPEN ▨ - CONTACT CLOSED DIFFERENTIAL TRAVEL, ** POSITIVE OPENING TO IEC 947-5-1 DIMENSIONS IN mm
01 07	SNAP ACTION SINGLE POLE	→ 11.3 F.P. 15 18.3** ← 1.8 DIFFERENTIAL TRAVEL	9.3 2.1	15.6 3.5	→ 50.5 F.P. 48 46** 43.5 O.T. ← 0.9 DIFFERENTIAL TRAVEL
03 33	SLOW ACTION BREAK BEFORE MAKE	→ 11.3 F.P. 15 18.3** ← 16.8	9.3 2.1	15.6 3.5	→ 50.5 F.P. 48 46** 43.5 O.T. ← 47
04 34	SLOW ACTION MAKE BEFORE BREAK	→ 11.3 F.P. 16.8 20.3** ← 15	9.3 2.1	15.6 3.5	→ 50.5 F.P. 47 45** 43.5 O.T. ← 48
06 36	SLOW ACTION 2 NORMALLY CLOSED	→ 11.3 F.P. 15 18.3** ← 11-12 21-22 11-12	9.3 2.1	15.6 3.5	→ 50.5 F.P. 48 46** 43.5 O.T. ← 21-22 11-12
20 22	SNAP ACTION DOUBLE POLE	→ 11.3 F.P. 15 18.3** ← 1.8 DIFFERENTIAL TRAVEL	9.3 2.1	21.4 4.8	→ 50.5 F.P. 48 46** 43.5 O.T. ← 0.9 DIFFERENTIAL TRAVEL
21 28	SNAP ACTION DOUBLE POLE SEQUENTIAL	→ 11-12 13-14 21-22 23-24 ← 1.4 DIFFERENTIAL TRAVEL 16.9 20.3**	9.3 2.1	15.6 3.5	→ 50.5 F.P. 48 46** 43.5 O.T. ← 0.8 DIFFERENTIAL TRAVEL 46.8 44.8**

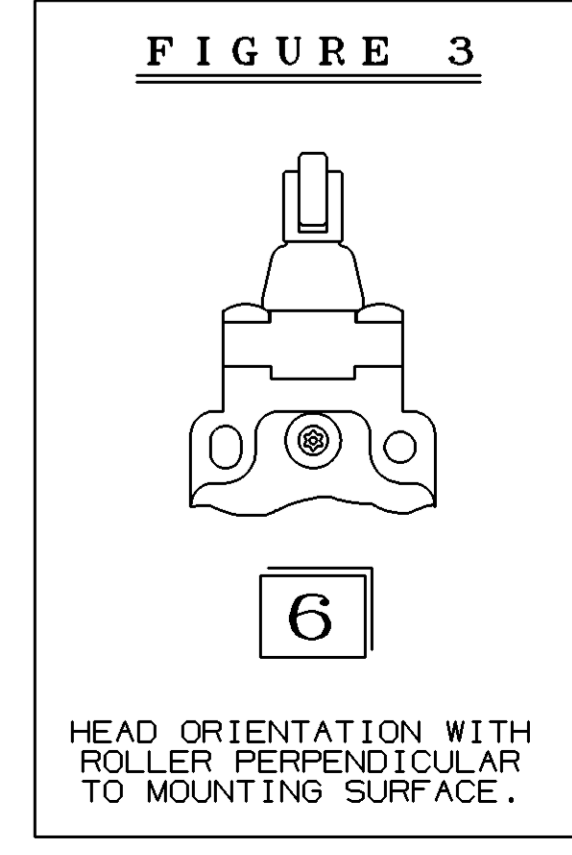


MIN. OPERATING VELOCITY = 1.7mm/S (0.067in/S)  
 MAX. OPERATING VELOCITY = 0.17M/S (6.7in/S)  
 MAX. OPERATING FREQUENCY = 250 OPS/MINUTE



MIN. OPERATING VELOCITY = 1.0mm/S (0.04in/S)  
 MAX. OPERATING VELOCITY = 0.1M/S (3.9in/S)  
 MAX. OPERATING FREQUENCY = 250 OPS/MINUTE

- NOTES:-
- RED EPOXY PAINT FINISHED ZINC DIE-CAST BODY AND STEEL COVER. BLACK EPOXY PAINT FINISHED ZINC DIE-CAST HEAD.
  - FREE POSITION (F.P.), OPERATING POINT, OVERTRAVEL (O.T.) AND PRETRAVEL ALL TO EN50041.
  - ANY STANDARD LISTING WITH SUFFIX 'RS' OR 'FE' IS PERMITTED.
  - FOR CONNECTION DIAGRAMS AND ADDITIONAL ELECTRICAL, DIMENSIONAL AND ENVIRONMENTAL INFORMATION REFER TO DRAWING GL-49212.
  - HEAD AND COVER FIXED WITH TORX® SOCKET HEAD SCREWS (DRIVER SUPPLIED).



IEC 947-5-1 ELECTRICAL RATING				GOLD PLATED CONTACTS	ENVIRONMENTAL	APPROVALS
SILVER CONTACTS				I <sub>th</sub> = 10A	IP67 NEMA/UL 1, 4, 12, 13	UL
AC		AC (FOR 2NC)				
A600 Ue	AC15 Ie	A300 Ue	AC15 Ie	STORAGE : -40°C TO 85°C -40°F TO 185°F	SHOCK : 50G PER IEC 68-2-27 VIBRATION : 10G PER IEC 68-2-6	IEC 947-5-1 EN50041
120 VOLTS	6 AMPS	120 VOLTS	6 AMPS			
240 VOLTS	3 AMPS	240 VOLTS	3 AMPS			
480 VOLTS	1.5 AMPS					
500 VOLTS	1.4 AMPS					
600 VOLTS	1.2 AMPS					
				1V 10µA MIN.		
				50V 100mA MAX.		

7/98  
 I. WEIR  
 CHECK  
 DESIGN  
 AUTHOR: N

# Mouser Electronics

Authorized Distributor

Click to View Pricing, Inventory, Delivery & Lifecycle Information:

[Honeywell:](#)

[GSAB01C](#)