

## XZCP0266L5

pre-wired connectors XZ - elbowed female - Ø  
8 mm - 3 pins - cable PUR 5m



### Main

|                                    |                      |
|------------------------------------|----------------------|
| Accessory / separate part category | Cabling accessory    |
| Accessory / separate part type     | Pre-wired connectors |
| Series name                        | General purpose      |

### Complementary

|                                |   |
|--------------------------------|---|
| Electrical connection          | Ø 8 mm, 3 pins elbowed female connector |
| Cable connector fixing         | Clip-on                                 |
| Status LED                     | Without                                 |
| Cable length                   | 5 m                                     |
| Cable outer diameter           | 5.2 mm                                  |
| Cable composition              | 3 x 0.34 mm <sup>2</sup>                |
| Wire insulation material       | PUR                                     |
| [Ue] rated operational voltage | 60 V AC<br>75 V DC                      |

|                       |                      |
|-----------------------|----------------------|
| [In] rated current    | 4 A                  |
| Contact resistance    | 5000 $\mu\text{Ohm}$ |
| Insulating resistance | 1 G $\Omega$         |
| Product weight        | 0.11 kg              |

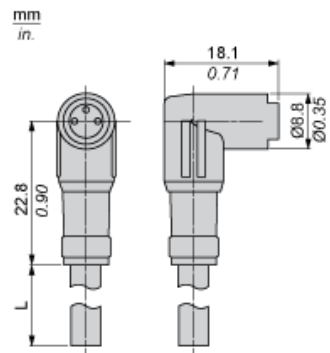
## Environment

|                                       |  |
|---------------------------------------|--|
| IP degree of protection               | IP67   |
| Product certifications                | CULus  |
| Ambient air temperature for operation | -40...80 °C (static)<br>-5...80 °C (flexing) |
| Ambient air temperature for storage   | -40...80 °C                                  |

## Offer Sustainability

|                                  |   |
|----------------------------------|---|
| Sustainable offer status         | Green Premium product   |
| RoHS (date code: YYWW)           | Compliant - since 0649 - <a href="#">Schneider Electric declaration of conformity</a> |
| REACH                            | Reference not containing SVHC above the threshold                                     |
| Product environmental profile    | Available <a href="#">Download Product Environmental</a>                              |
| Product end of life instructions | Available <a href="#">Download End Of Life Manual</a>                                 |

Dimensions



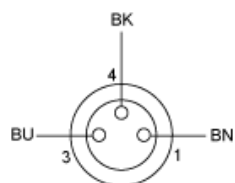
L : Length of cable

---

## Connections and Schemes

---

### Connector



BU : Blue  
BN : Brown  
BK : Black