

THIS DRAWING IS UNPUBLISHED.

RELEASED FOR PUBLICATION

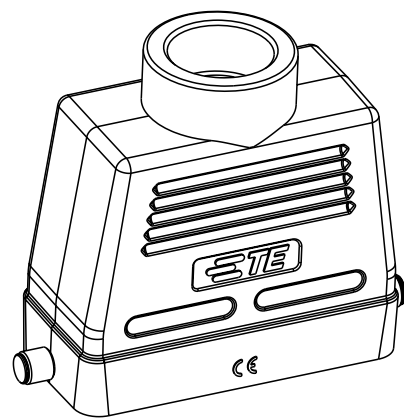
20

© COPYRIGHT 20 BY -

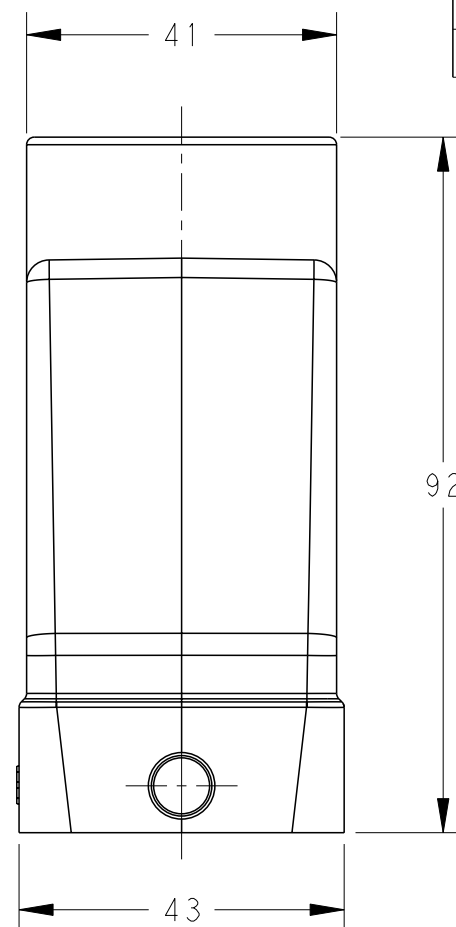
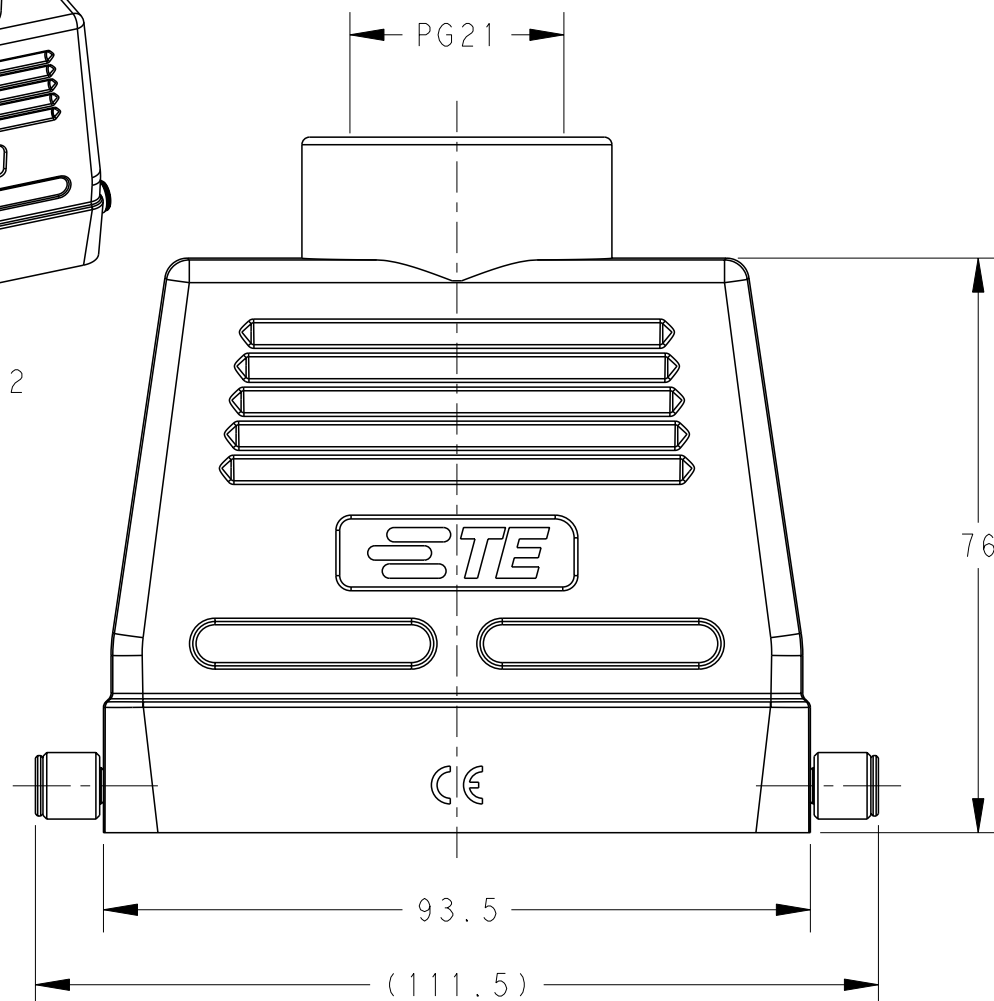
ALL RIGHTS RESERVED.

REVISIONS

P	LTR	DESCRIPTION	DATE	DWN	APVD
	A	INITIAL	26MAY2015	DW	CW
	B	ECR-20-014388	04DEC2020	WQR	CW



SCALE 1:2

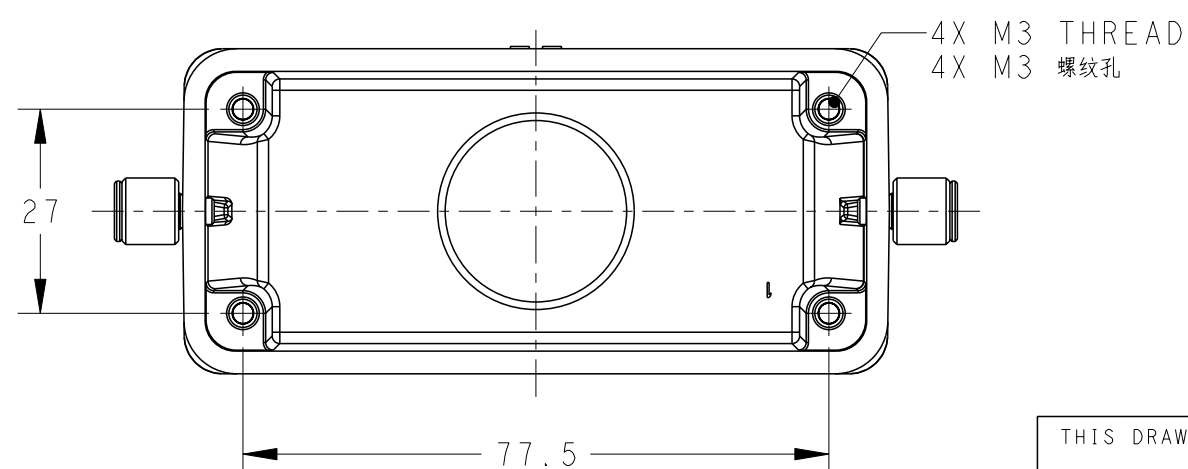


NOTES:

- 1. TECHNICAL CHARACTERISTICS:
 HOOD MATERIAL: DIE CAST ALUMINIUM ALLOY
 SURFACE: POWDER COATED, GREY
 DEGREE OF PROTECTION: IP65 (MATED)

注释:

- 1. 技术参数:
 上壳材料: 铝合金
 表面处理: 粉末涂层, 灰色
 防护等级: IP65(配合)



4X M3 THREAD
4X M3 螺纹孔

T1345160121-000	H16B-TGH-RO-PG21 WITH SLEEVE	PG21
PART NUMBER	DESCRIPTION	THREAD M/PG

THIS DRAWING IS A CONTROLLED DOCUMENT.

DIMENSIONS:	TOLERANCES UNLESS OTHERWISE SPECIFIED:
mm	
	0 PLC ±-
	1 PLC ±-
	2 PLC ±-
	3 PLC ±-
	4 PLC ±-
	ANGLES ±-
MATERIAL	FINISH
-	-
-	-

DWN	26MAY2015
David Wang	
CHK	26MAY2015
Chris Wang	
APVD	26MAY2015
Xiang Xu	
PRODUCT SPEC	108-137013
APPLICATION SPEC	114-137013
WEIGHT	-
Customer Drawing	

		TE Connectivity	
		NAME	
H16B-TGH-RO-PG21 WITH SLEEVE		SIZE	CAGE CODE
DRAWING NO		RESTRICTED TO	
A300779		-	
SCALE 1:1		SHEET 1 OF 1	
REV B			

printed on 31 Mar 2021 16:07 (China Standard Time) from TE343646