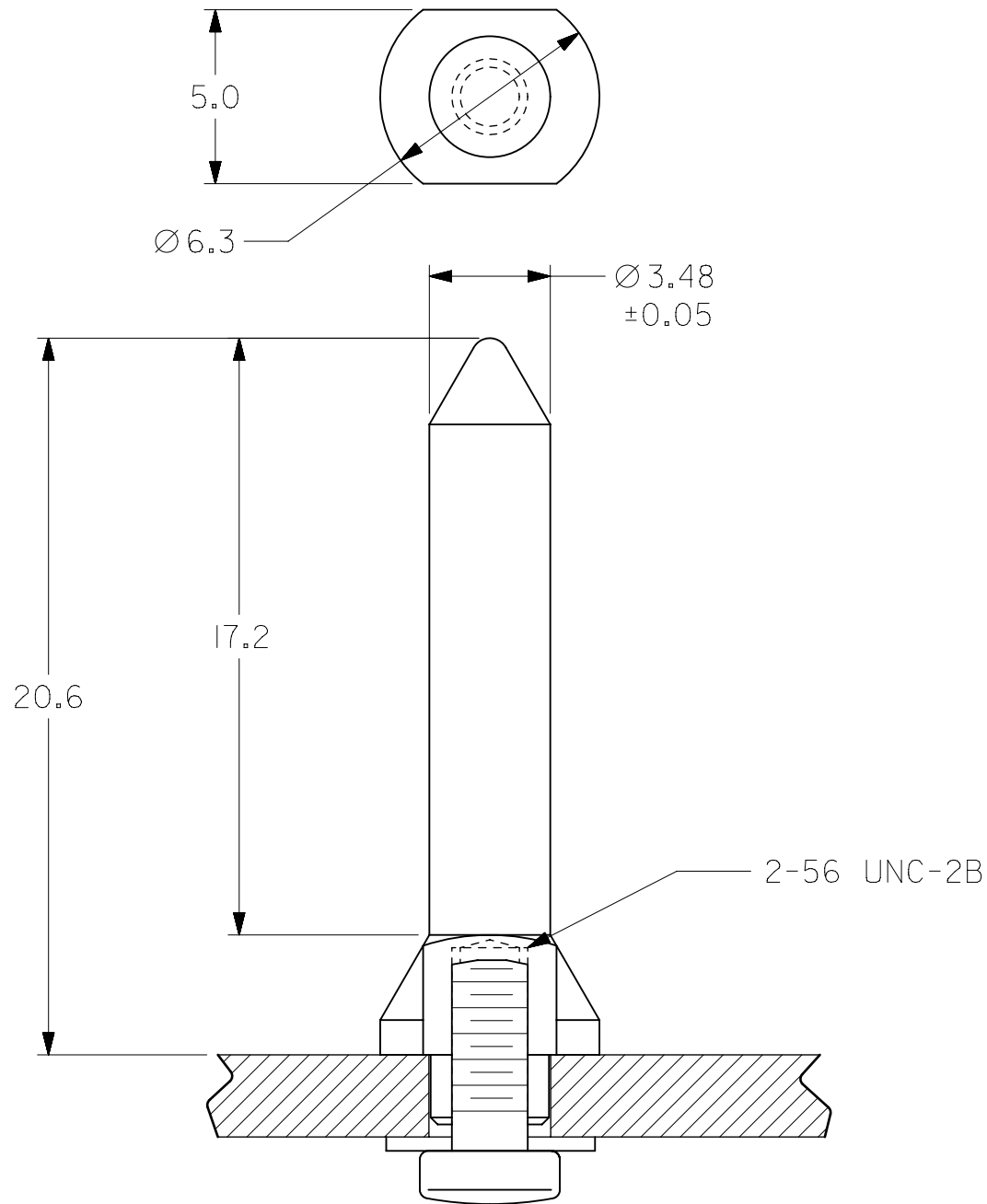
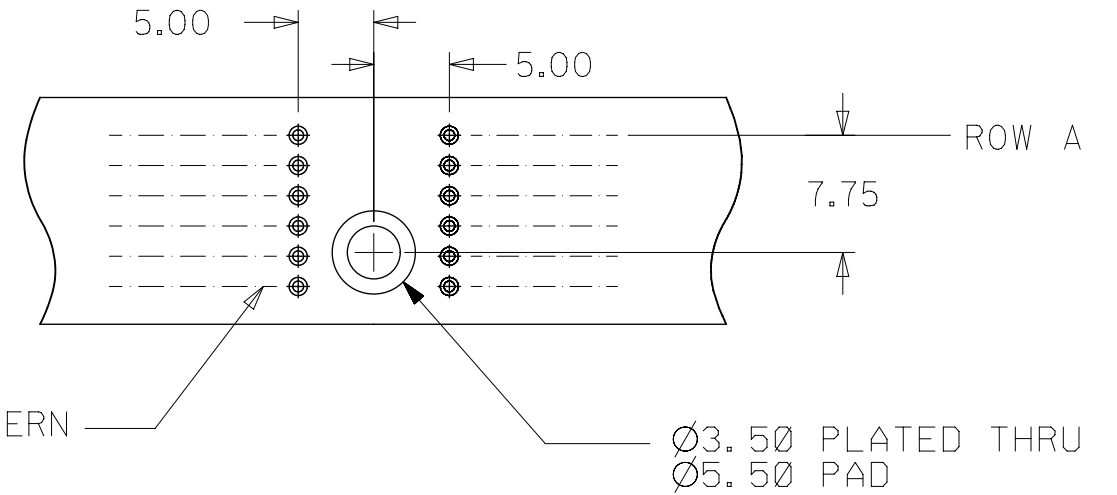


| PART NUMBER | DESCRIPTION | SEMS SCREW | BOARD THICKNESS |
|-------------|--------------------|-------------------|-----------------------|
| 73962-0000 | STAND ALONE POST | NOT SUPPLIED | VARIOUS |
| 73962-2000 | KIT: POST w/ SCREW | 73774-1015 | 2.50 - 5.25 mm |



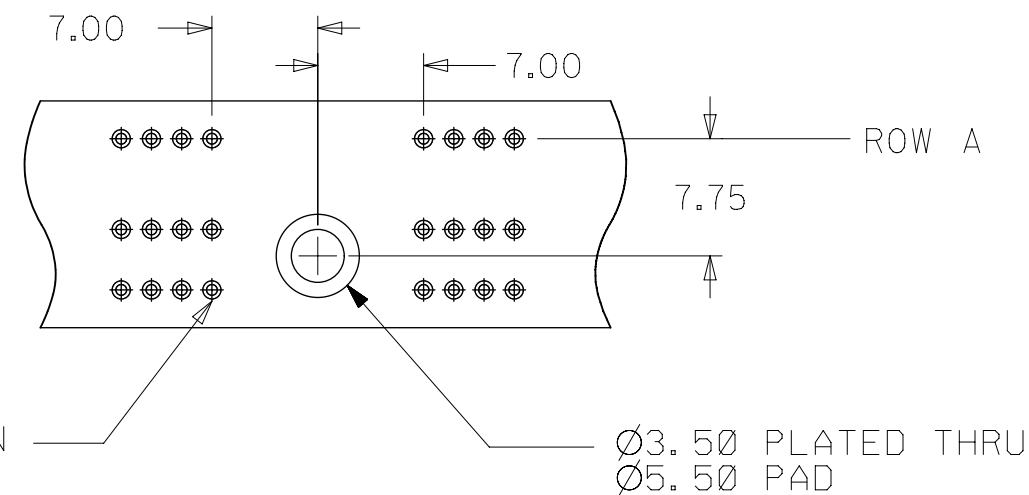
- NOTES:
1. MATERIAL: STAINLESS STEEL
 2. FINISH: PASSIVATE
 3. THIS PART CONFORMS TO MOLEX PRODUCT SPECIFICATION PS-73670-9999
 4. PARTS ARE BULK PACKED

BACKPLANE SIGNAL HOLE PATTERN
SCALE 2:1



BACKPLANE SIGNAL PATTERN
2X

BACKPLANE POWER HOLE PATTERN
SCALE 2:1



BACKPLANE POWER PATTERN
2X

PRE-RELEASE
REFERENCE
USE ONLY

| THIS DRAWING CONTAINS INFORMATION THAT IS PROPRIETARY TO MOLEX ELECTRONIC TECHNOLOGIES, LLC AND SHOULD NOT BE USED WITHOUT WRITTEN PERMISSION | | | | | | | | | |
|---|--|--------|--|---|--|------------|--|---|--|
| DIMENSION UNITS | | SCALE | | CURRENT REV DESC: REMOVED OBSOLETE PART NUMBER AS PER PCN#511698. | | | | molex | |
| mm | | 5:1 | | | | | | | |
| GENERAL TOLERANCES (UNLESS SPECIFIED) | | | | EC NO: 742551 | | | | HDM BACKPLANE MODULE GUIDE POST SALES ASSEMBLY | |
| 4 PLACES | | ± | | DRWN: SANTHN | | 2023/03/30 | | PRODUCT CUSTOMER DRAWING | |
| 3 PLACES | | ± | | CHK'D: GGA | | 2023/05/12 | | DOCUMENT NUMBER | |
| 2 PLACES | | ± 0.13 | | APPR: GGA | | 2023/05/12 | | SD-73962-002 | |
| 1 PLACE | | ± 0.25 | | INITIAL REVISION: | | 2005/09/29 | | DOC TYPE DOC PART REVISION | |
| 0 PLACES | | ± | | DRWN: J JONIAK | | 2005/09/29 | | PSD 001 G | |
| ANGULAR TOL | | ± 0.5° | | APPR: J JONIAK | | | | MATERIAL NUMBER CUSTOMER | |
| DRAFT WHERE APPLICABLE MUST REMAIN WITHIN DIMENSIONS | | | | THIRD ANGLE PROJECTION | | DRAWING | | SERIES | |
| | | | | B-SIZE | | 73962 | | SEE CHART GENERAL MARKET | |
| | | | | | | | | SHEET NUMBER | |
| | | | | | | | | 1 OF 1 | |