

Products > Plugs > K SERIES



K Series copper tubing plugs are especially suitable for general purpose, Type K copper tubing, SAE Standard J-528. This series is designed for applications where the outside diameter of the closure should not exceed the outside diameter of the tubing. Flanges fit flush with outer walls of tubing, providing positive protection against moisture and dirt.

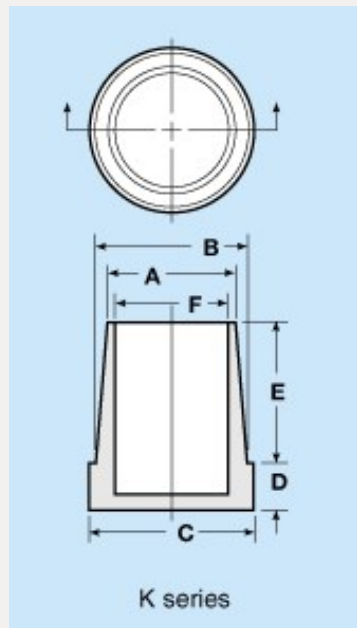
Material: Low-density polyethylene
Standard Color: Red



[Convert to Metric](#)

*Selecting **Sample Only** Will default line item to standard sample status

[How to Order](#)



Caplug Sku#	Request Sample Only	Plug SAE J-528 Tubing/OD (IN)	Dim A (IN)	Dim B (IN)	Dim C (IN)	Dim D (IN)	Dim E (IN)	Dim F (IN)	Size	Color	QTY	Cost
K-2.5MM	<input type="checkbox"/>	-	0.160	0.165	0.22	0.12	0.26	0.10	Select	Select		
K-3	<input type="checkbox"/>	3/16	0.105	0.138	0.19	0.19	0.31	0.08	Select	Select		
K-3S	<input type="checkbox"/>	3/16	0.105	0.138	0.19	0.06	0.31	0.08	Select	Select		
K-RP-2	<input type="checkbox"/>	3/16	0.105	0.140	0.19	0.13	0.25		Select	Select		
K-4	<input type="checkbox"/>	1/4	0.160	0.202	0.24	0.14	0.38	0.14	Select	Select		
K-RP-3	<input type="checkbox"/>	1/4	0.165	0.210	0.25	0.13	0.25		Select	Select		
K-5	<input type="checkbox"/>	5/16	0.227	0.272	0.31	0.14	0.38	0.20	Select	Select		
K-6	<input type="checkbox"/>	3/8	0.290	0.340	0.37	0.16	0.38	0.26	Select	Select		
K-RP-45	<input type="checkbox"/>	3/8	0.290	0.330	0.38	0.13	0.54		Select	Select		
K-RP-5	<input type="checkbox"/>	3/8	0.290	0.345	0.38	0.13	0.50		Select	Select		
K-8	<input type="checkbox"/>	1/2	0.411	0.466	0.50	0.16	0.38	0.38	Select	Select		
K-10	<input type="checkbox"/>	5/8	0.530	0.587	0.62	0.19	0.56	0.50	Select	Select		
K-RP-75	<input type="checkbox"/>	11/16	0.550	0.640	0.69	0.13	0.50		Select	Select		
K-11S	<input type="checkbox"/>	5/8	0.530	0.580	0.67	0.37	0.56	0.51	Select	Select		
K-12	<input type="checkbox"/>	3/4	0.650	0.712	0.75	0.19	0.56	0.62	Select	Select		
K-12S	<input type="checkbox"/>	-	0.609	0.664	0.73	0.38	0.56	0.58	Select	Select		
K-RP-9	<input type="checkbox"/>	29/32	0.734	0.834	0.91	0.13	0.62		Select	Select		

Quick Links: [About Us](#) [News & Events](#) [Military & NAS Specifications](#) [Cross Reference Guide](#) [Quality Certifications & Regulatory Info](#)

Product [Caps](#) [Plugs](#) [Shercon](#) [Masking](#) [Tubing, Netting & Containers](#) [More Product Protection](#) [Thread Protectors from Tri-Star](#) [Evergreen Labware](#) [View all](#)

Materials [Polyethylene](#) [Vinyl](#) [Silicone](#) [Molded Rubber](#) [Adhesives](#) [PETG](#) [Additional Materials](#)

Applications [Masking](#) [Medical](#) [Thread & Flange Protection](#) [Automotive](#) [Electronics](#) [Hydraulics](#) [Compressed Gas](#) [Aviation](#) [Packaging & Netting](#)

Custom Parts [Design a Part](#) [Molding Capabilities](#)

Service & Support [Find a Sales Representative](#) [Learning Center](#) [Download Catalog](#) [Request a Quote](#) [How to Order](#) [FREE Samples Available](#) [Contact Us](#) [Quality Certifications & Regulatory Info](#) [Patents](#)