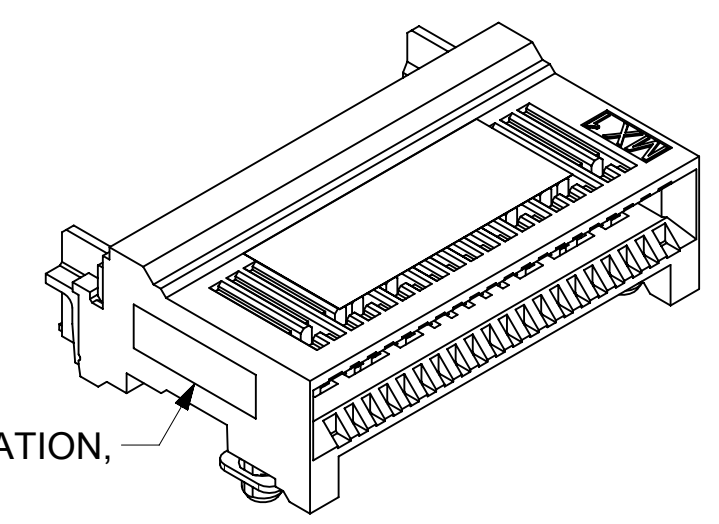
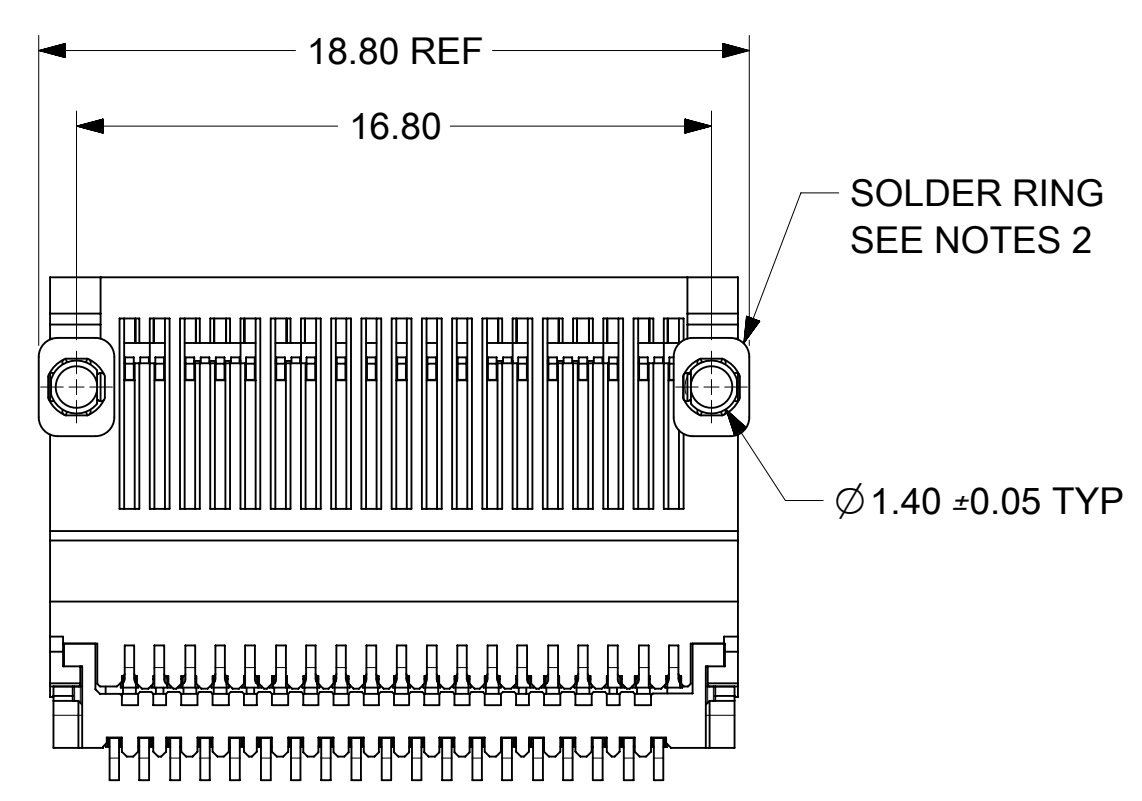
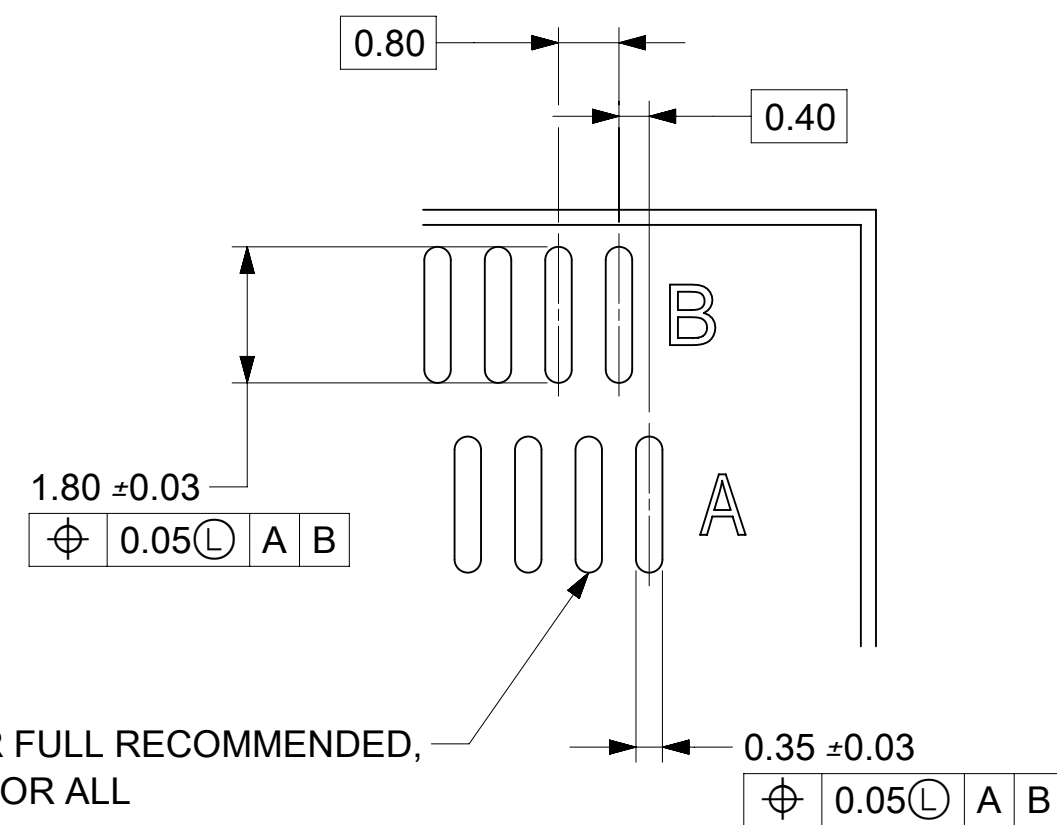
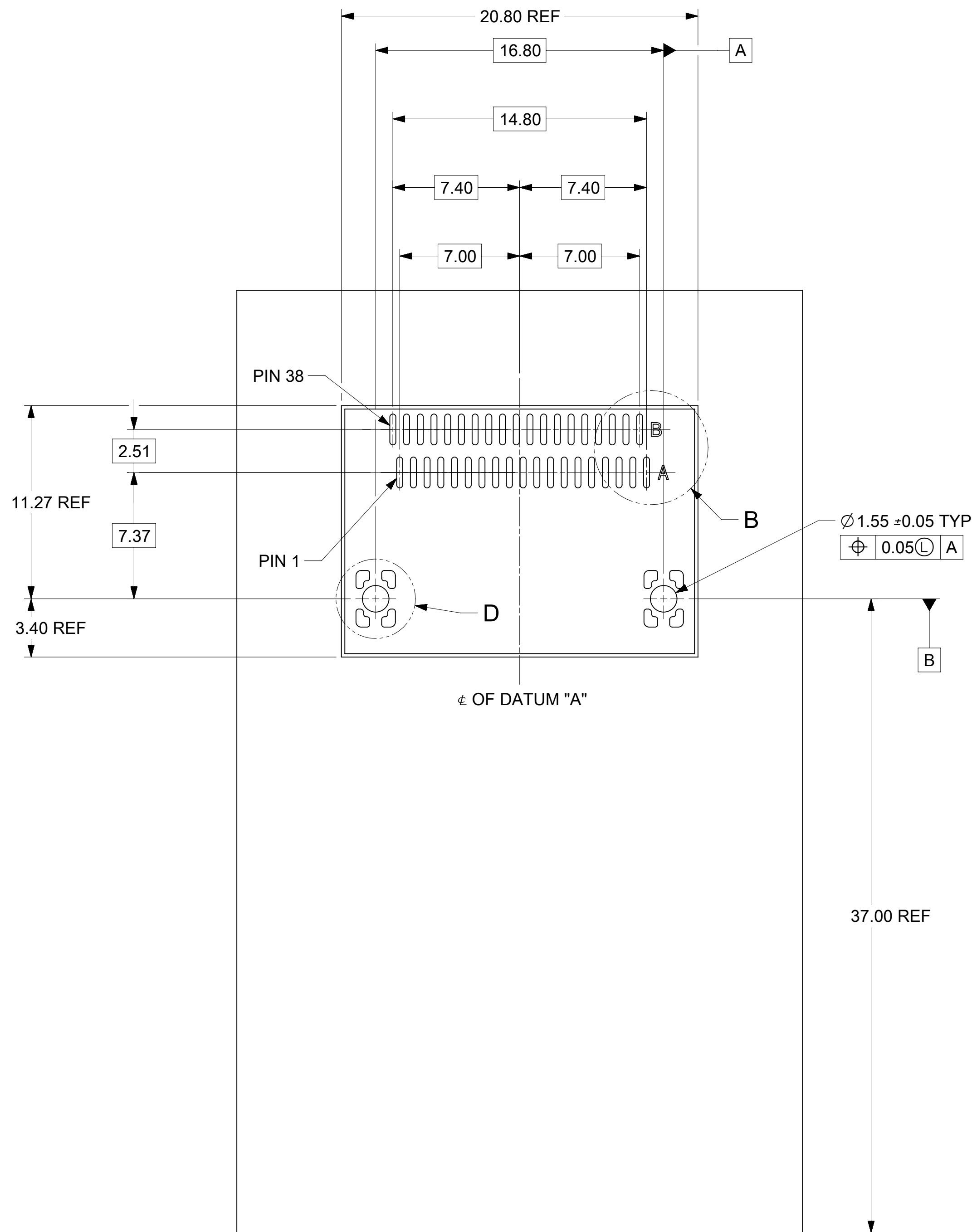


SECTION A-A

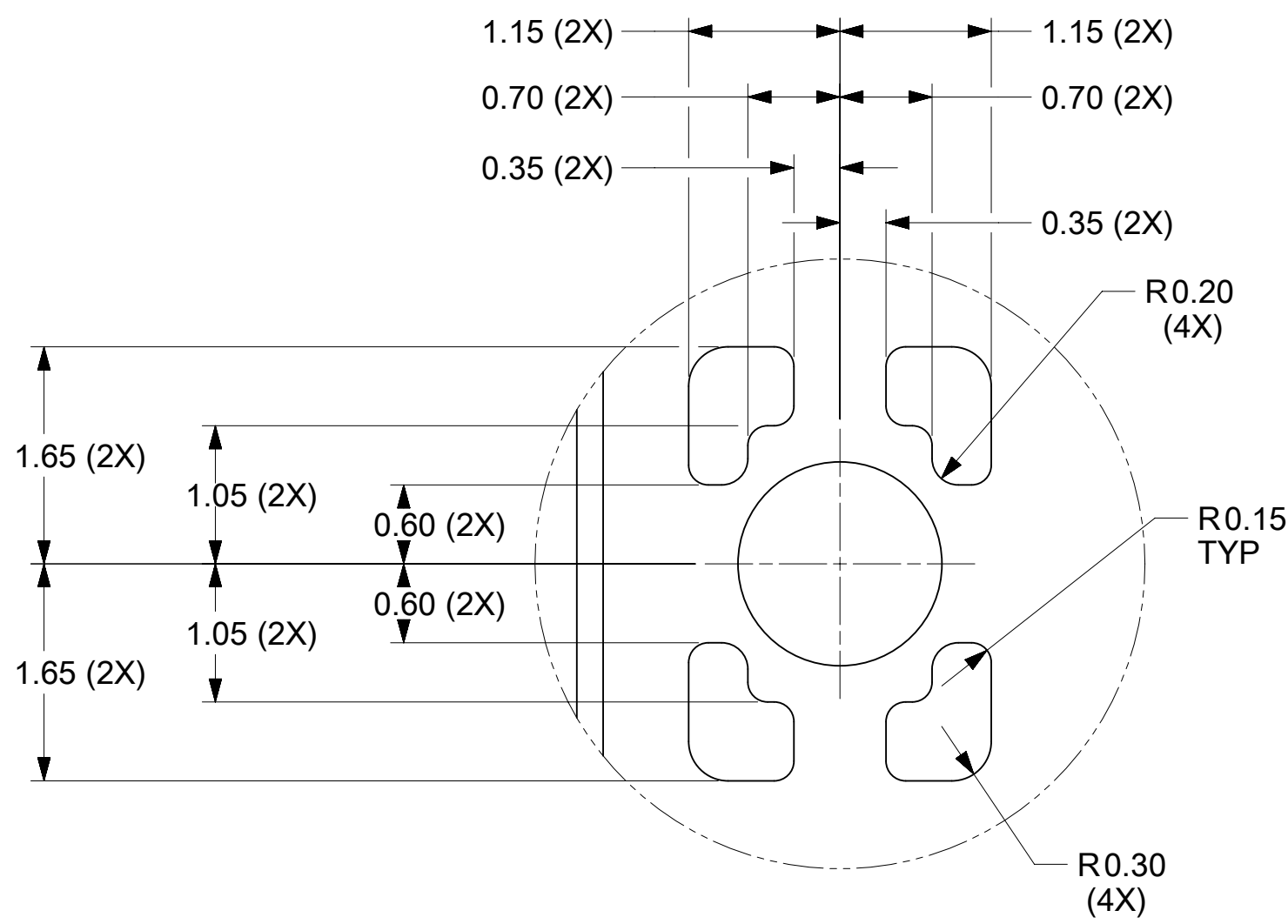


- NOTES
- MATERIAL:
HOUSING - HIGH TEMPERATURE THERMOPLASTIC GLASS FILLED, UL 94V-0, BLACK.
TERMINALS - COPPER ALLOY
 - PLATING:
CONTACT AREA - 0.76 µm MIN GOLD OVER 2.54 µm MIN NICKEL
SOLDER AREA - 2.54 -5.09 µm TIN OVER 2.54 µm MAX NICKEL
SOLDER RING AREA 2.54 µm MIN TIN OVER 1.27 µm MIN NICKEL
 - TERMINAL SOLDER FEET TO BE COPLANAR WITHIN 0.10/004 MEASURED FROM FRONT HOUSING STAND OFF (DATUM E)
 - DATE CODE: 4 DIGIT (3 DIGIT DATE, 1 DIGIT YEAR)
 - CIRCUIT IDENTIFIER: SEE APPROPRIATE INDUSTRY SPECIFICATION FOR LOCATION OF PIN 1
 - PACKAGED PER PACKAGING SPECIFICATION: PK-170432-900.
 - CONFORMS TO PRODUCT SPECIFICATION: PS-170432-001
 - CONFORMS TO APPLICATION SPECIFICATIONS: AS-170432-002 and AS-170432-0003
 - THIS PART CONFORMS TO CLASS C REQUIREMENTS OF COSMETIC SPECIFICATION PS-45499-002.

THIS DRAWING CONTAINS INFORMATION THAT IS PROPRIETARY TO MOLEX ELECTRONIC TECHNOLOGIES, LLC AND SHOULD NOT BE USED WITHOUT WRITTEN PERMISSION											
SYMBOLS	DIMENSION UNITS	SCALE	CURRENT REV DESC:								
▽ = 0	mm	5:1	EC NO: 640181 DRWN: TTAO03 2020/03/02 CHK'D: JKACHLIC 2020/06/30 APPR: JKACHLIC 2020/06/30 INITIAL REVISION: DRWN: CWANG67 2019/04/16 APPR: RNELSON 2019/05/13								
▽ = 0	GENERAL TOLERANCES (UNLESS SPECIFIED)										
▽ = 0	ANGULAR TOL ± 0.5°										
▽ = 0	4 PLACES ±										
▽ = 0	3 PLACES ±										
▽ = 0	2 PLACES ± 0.25		PRODUCT CUSTOMER DRAWING DOCUMENT NUMBER: 1704320006 DOC TYPE: PSD DOC PART: 000 REVISION: A2								
▽ = 0	1 PLACE ± 0.38										
▽ = 0	0 PLACES ±		THIRD ANGLE PROJECTION		DRAWING		SERIES		MATERIAL NUMBER		
▽ = 0	DRAFT WHERE APPLICABLE MUST REMAIN WITHIN DIMENSIONS		C-SIZE		170432		1704320006		GENERAL MARKET		
SHEET NUMBER			1 OF 5								

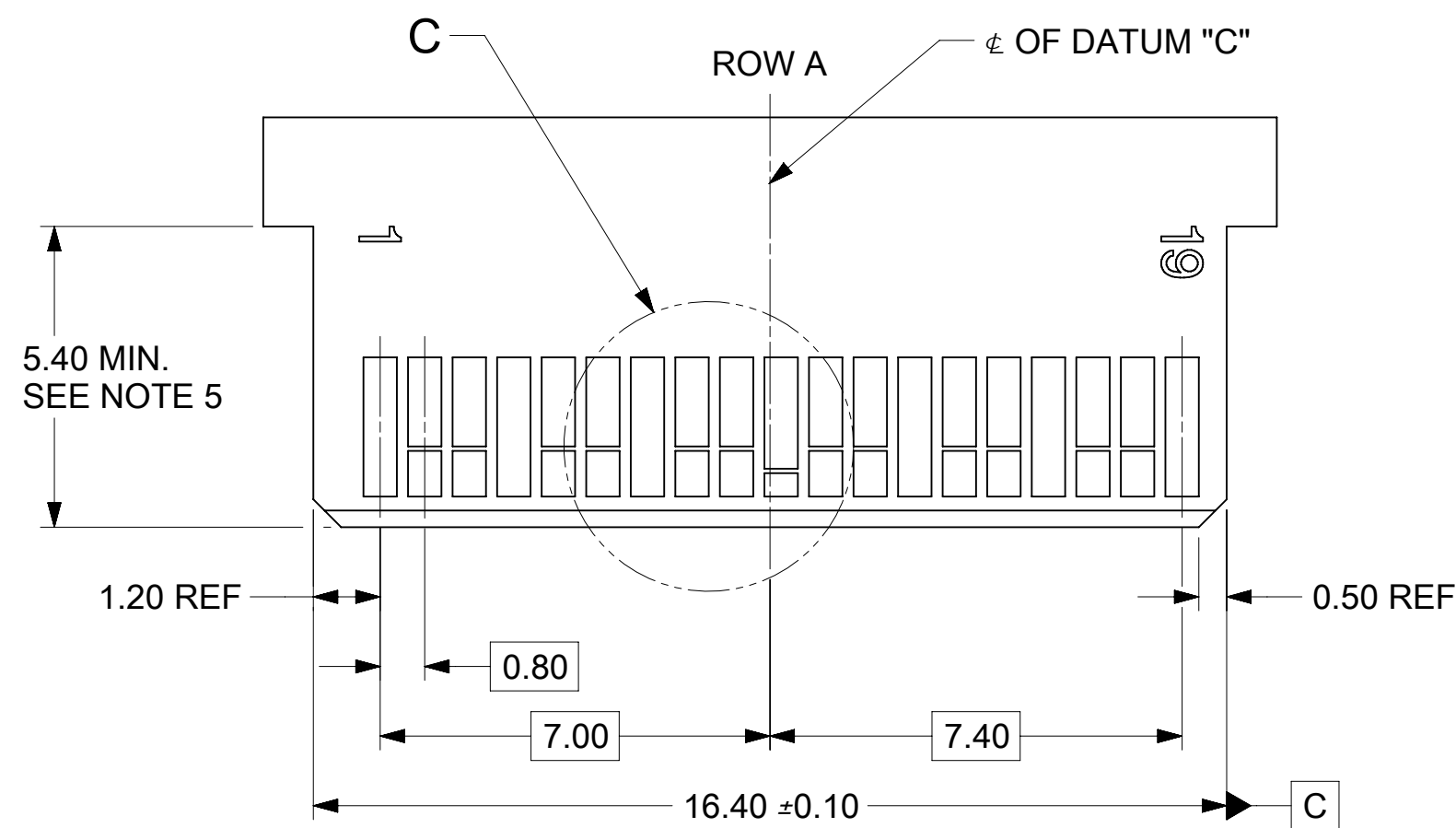
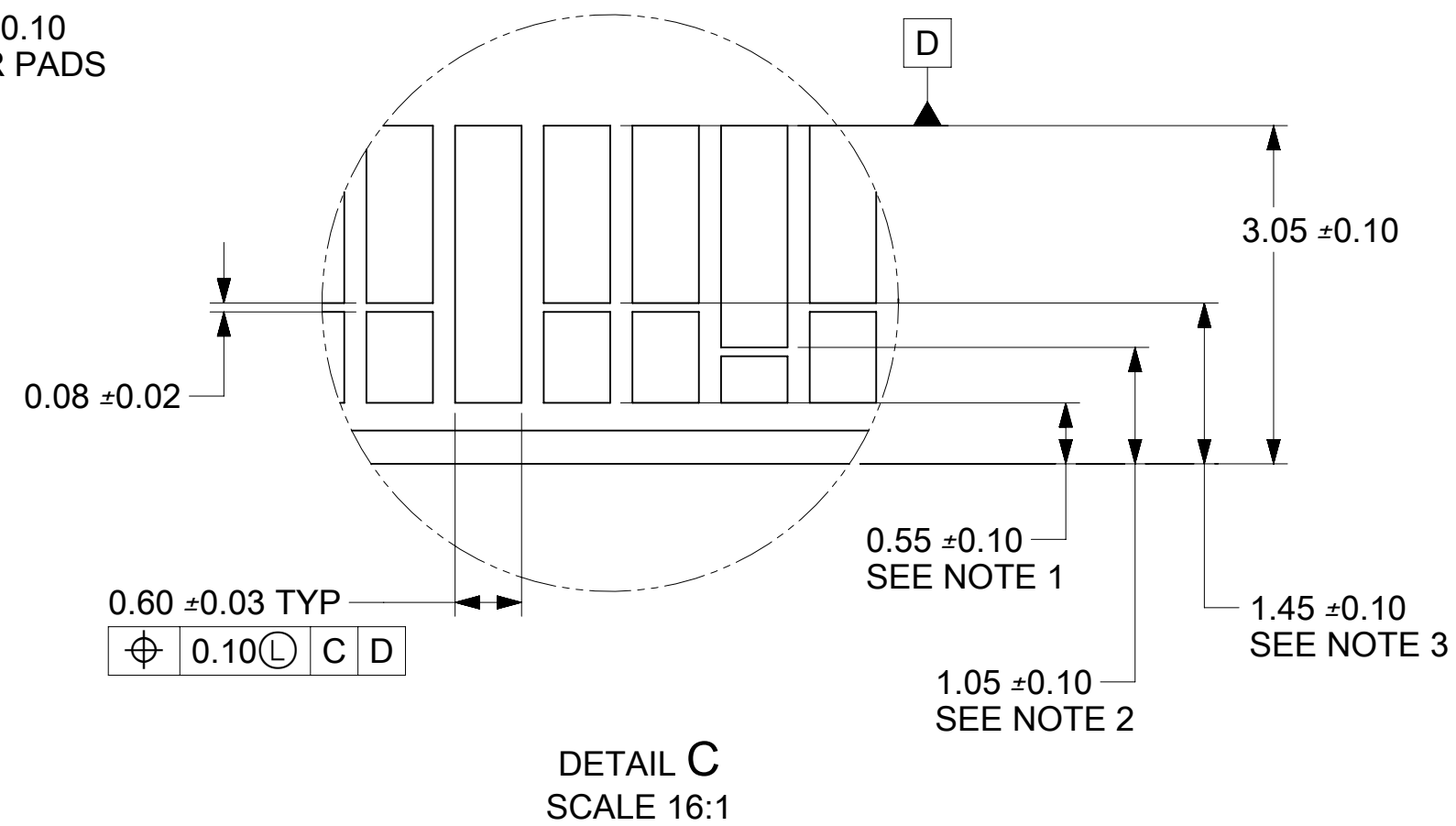
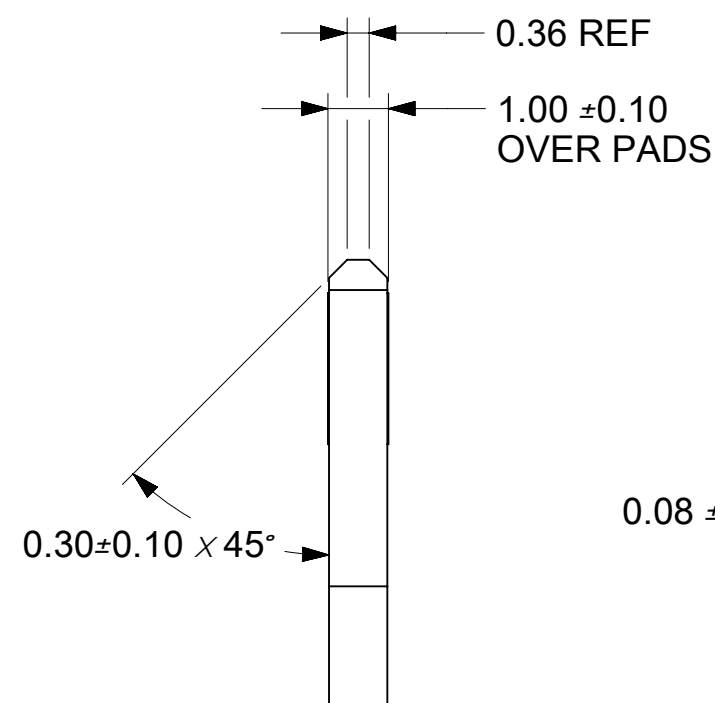
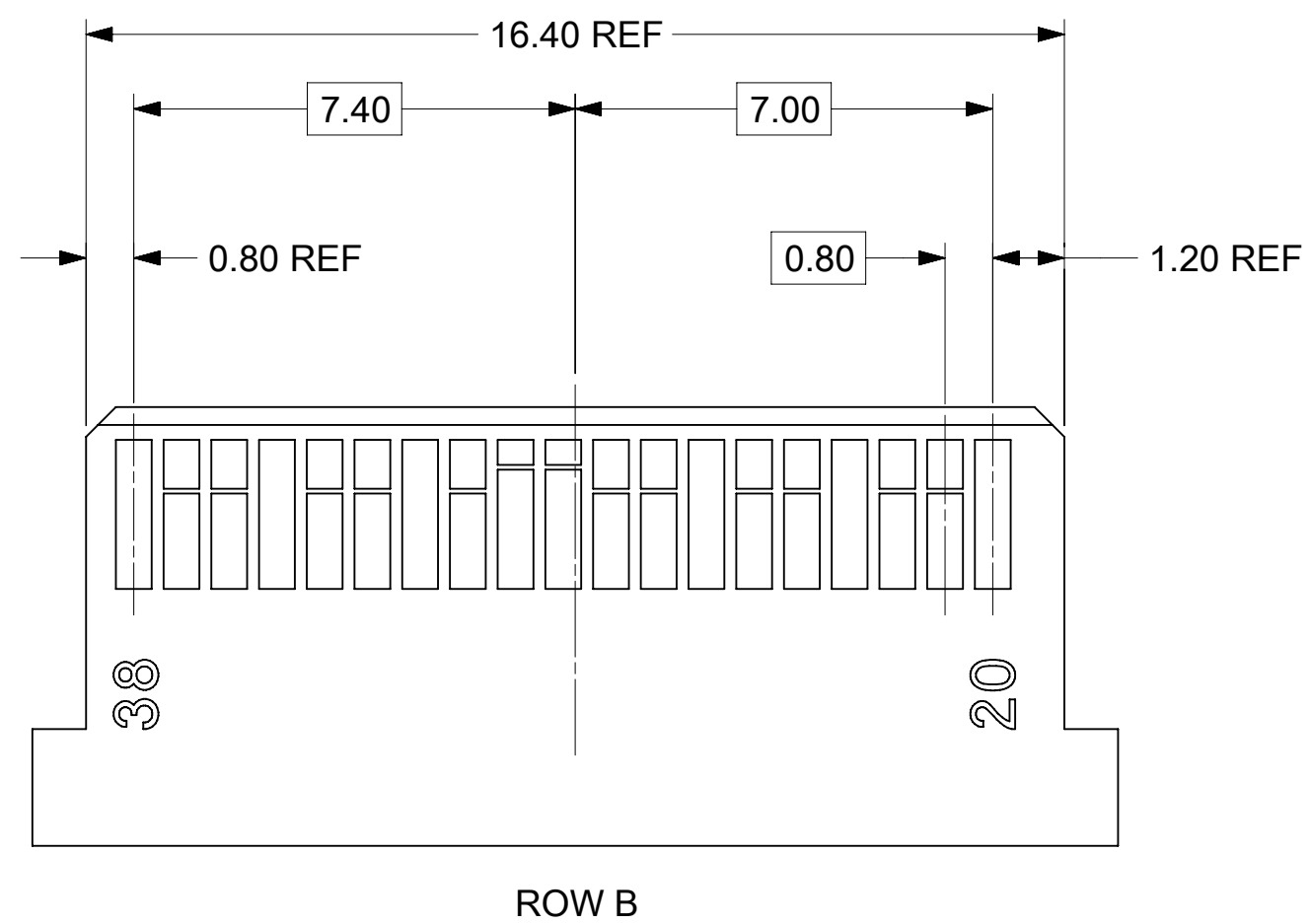


DETAIL B
SCALE 10:1



DETAIL D
SCALE 20:1

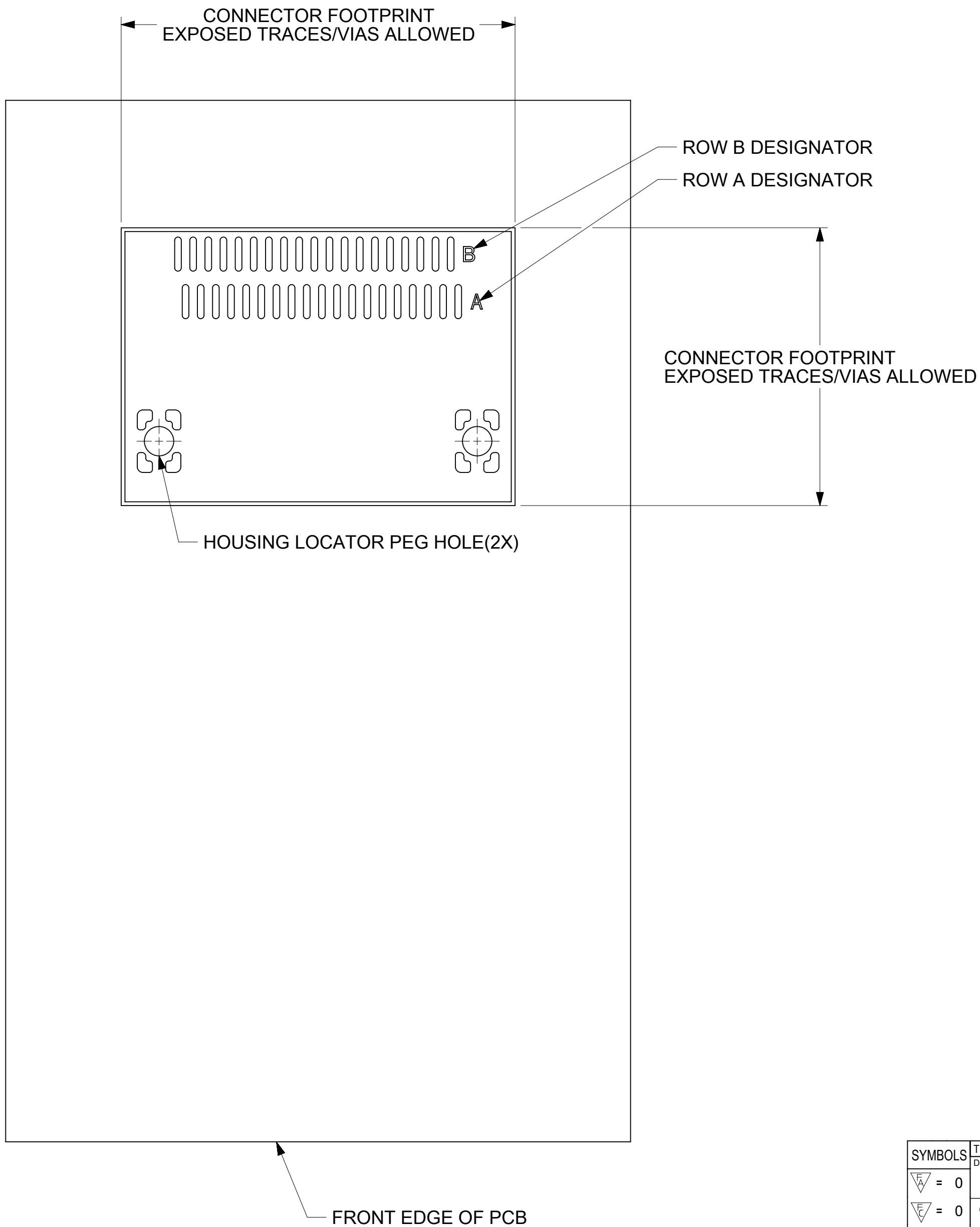
SYMBOLS										THIS DRAWING CONTAINS INFORMATION THAT IS PROPRIETARY TO MOLEX ELECTRONIC TECHNOLOGIES, LLC AND SHOULD NOT BE USED WITHOUT WRITTEN PERMISSION									
▽ = 0		mm		SCALE		5:1		CURRENT REV		DESC:									
▽ = 0		GENERAL TOLERANCES (UNLESS SPECIFIED)		ANGULAR TOL		± 0.5°		EC NO: 640181		2020/03/02									
▽ = 0		4 PLACES		±				DRWN: TTAO03		2020/06/30		PRODUCT CUSTOMER DRAWING							
▽ = 0		3 PLACES		±				CHK'D: JKACHLIC		2020/06/30		DOCUMENT NUMBER							
▽ = 0		2 PLACES		± 0.25				APPR: JKACHLIC		2020/06/30		DOC TYPE							
▽ = 0		1 PLACE		± 0.38				INITIAL REVISION:				DOC PART							
▽ = 0		0 PLACES		±				DRWN: CWANG67		2019/04/16		REVISION							
▽ = 0		DRAFT WHERE APPLICABLE MUST REMAIN WITHIN DIMENSIONS		THIRD ANGLE PROJECTION		DRAWING		SERIES		MATERIAL NUMBER		CUSTOMER		SHEET NUMBER					
▽ = 0				C-SIZE		170432		1704320006		GENERAL MARKET		2 OF 5							



- NOTES:
- PAD CONFIGURATION FOR FIRST MATE.
 - PAD CONFIGURATION FOR SECOND MATE.
 - PAD CONFIGURATION FOR THIRD MATE (HIGH SPEED SIGNALS).
 - FOR PIN ASSIGNMENTS AND MATING SEQUENCE (1ST,2ND,3RD). SEE APPLICABLE SPECIFICATION.
 - MINIMUM STEP REQUIRED IF PCB MADE WIDER THAN CARD TONGUE.

THIS DRAWING CONTAINS INFORMATION THAT IS PROPRIETARY TO MOLEX ELECTRONIC TECHNOLOGIES, LLC AND SHOULD NOT BE USED WITHOUT WRITTEN PERMISSION											
SYMBOLS		DIMENSION UNITS		SCALE		CURRENT REV DESC:					
▽ = 0	▽ = 0	mm	8:1			molex ZQSFP+ SMT 38 CKT CONNECTOR W/ REC. SOLDER RING PRODUCT CUSTOMER DRAWING EC NO: 640181 DRWN: TTAO03 2020/03/02 CHK'D: JKACHLIC 2020/06/30 APPR: JKACHLIC 2020/06/30 INITIAL REVISION: DRWN: CWANG67 2019/04/16 APPR: RNELSON 2019/05/13					
GENERAL TOLERANCES (UNLESS SPECIFIED)											
▽ = 0	ANGULAR TOL ± 0.5°										
▽ = 0	4 PLACES ±										
▽ = 0	3 PLACES ±										
▽ = 0	2 PLACES ± 0.25										
▽ = 0	1 PLACE ± 0.38										
▽ = 0	0 PLACES ±										
▽ = 0	DRAFT WHERE APPLICABLE MUST REMAIN WITHIN DIMENSIONS		THIRD ANGLE PROJECTION		DRAWING		SERIES		MATERIAL NUMBER		
				C-SIZE		170432		1704320006		CUSTOMER	
								GENERAL MARKET		SHEET NUMBER	
										3 OF 5	

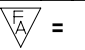
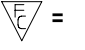
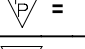

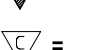
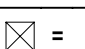
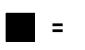
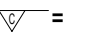



CONNECTOR FOOTPRINT ZONE IDENTIFICATION



THIS DRAWING CONTAINS INFORMATION THAT IS PROPRIETARY TO MOLEX ELECTRONIC TECHNOLOGIES, LLC AND SHOULD NOT BE USED WITHOUT WRITTEN PERMISSION												
SYMBOLS	DIMENSION UNITS	SCALE	CURRENT REV DESC:			molex						
▽ = 0	mm	5:1	EC NO: 640181 DRWN: TTAO03 2020/03/02 CHK'D: JKACHLIC 2020/06/30 APPR: JKACHLIC 2020/06/30			ZQSFP+ SMT 38 CKT CONNECTOR W/ REC. SOLDER RING						
▽ = 0	GENERAL TOLERANCES (UNLESS SPECIFIED)					INITIAL REVISION: DRWN: CWANG67 2019/04/16 APPR: RNELSON 2019/05/13			PRODUCT CUSTOMER DRAWING			
▽ = 0	ANGULAR TOL ± 0.5°								DOCUMENT NUMBER			DOC TYPE
▽ = 0	4 PLACES ±		1704320006			PSD	000	A2	SHEET NUMBER			
▽ = 0	3 PLACES ±									MATERIAL NUMBER		
▽ = 0	2 PLACES ± 0.25		1704320006			GENERAL MARKET						
▽ = 0	1 PLACE ± 0.38		C-SIZE 170432									
▽ = 0	0 PLACES ±		THIRD ANGLE PROJECTION									
□ = 0	DRAFT WHERE APPLICABLE MUST REMAIN WITHIN DIMENSIONS		DRAWING									
■ = 0			SERIES									
▽ = 0			C-SIZE 170432									

H
G
F
E
D
C
B
A

REVISION HISTORY		
DATE	REV	DESCRIPTION
2019/05/09	A	INITIAL RELEASE
2019/07/04	A1	CORRECTED CARD SLOT WIDTH TO 16.55+0.10/-0.05, WAS +0.10/+0.05.
2020-4-15	A2	1.UPDATE THE PCB LAYOUT ; 2.SOLDER RING ADD TIN PLATING

SYMBOLS  = 0  = 0  = 0  = 0  = 0  = 0  = 0  = 0  = 0	THIS DRAWING CONTAINS INFORMATION THAT IS PROPRIETARY TO MOLEX ELECTRONIC TECHNOLOGIES, LLC AND SHOULD NOT BE USED WITHOUT WRITTEN PERMISSION												
	DIMENSION UNITS	SCALE	CURRENT REV DESC:										
	mm	1:1											
	GENERAL TOLERANCES (UNLESS SPECIFIED)		EC NO: 640181							ZQSFP+ SMT 38 CKT CONNECTOR W/ REC. SOLDER RING			
	ANGULAR TOL ± 0.5°		DRWN: TTAO03 2020/03/02										
	4 PLACES ±		CHK'D: JKACHLIC 2020/06/30										
	3 PLACES ±		APPR: JKACHLIC 2020/06/30							PRODUCT CUSTOMER DRAWING			
	2 PLACES ± 0.25		INITIAL REVISION:							DOCUMENT NUMBER	DOC TYPE	DOC PART	REVISION
	1 PLACE ± 0.38		DRWN: CWANG67 2019/04/16							1704320006	PSD	000	A2
	0 PLACES ±		APPR: RNELSON 2019/05/13										
DRAFT WHERE APPLICABLE MUST REMAIN WITHIN DIMENSIONS		THIRD ANGLE PROJECTION	DRAWING	SERIES	MATERIAL NUMBER	CUSTOMER	SHEET NUMBER						
			C-SIZE	170432	1704320006	GENERAL MARKET	5 OF 5						

DOCUMENT STATUS	P1	RELEASE DATE	2020/06/30	06:44:20
-----------------	----	--------------	------------	----------