



MEAS | MEAS HTU

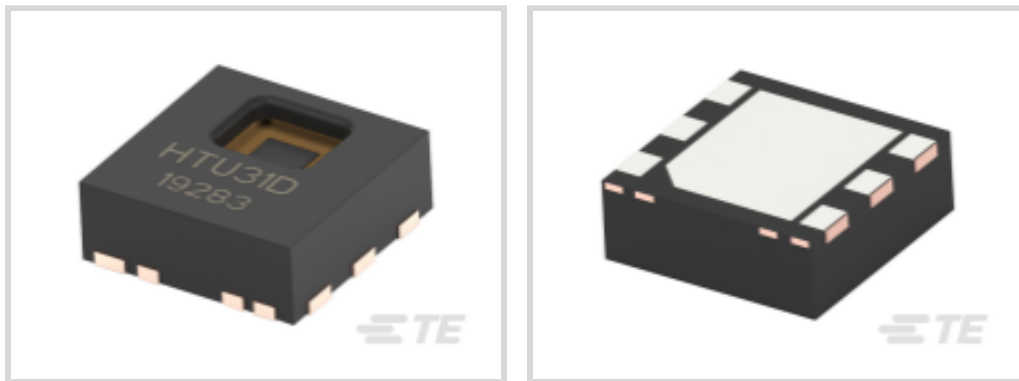
TE Internal #: 10142048-30

TE Internal Description: HTU31V I.C 31V RH/T ANALOG R400

HTU31 Humidity and Temperature Combination Sensor

[View on TE.com >](#)

Sensors > Humidity Sensors > Humidity Sensor Components > HTU31 Humidity and Temperature Combination Sensor



Humidity Sensor Product Type: **RHT**

Supply Voltage (Peak): **5.5 V**

Current Consumption: **161 mA**

Operating Temperature Range: **-40 – 257 °C [-40 – 257 °F]**

Interface Signal Type: **Analog**

[All HTU31 Humidity and Temperature Combination Sensor \(9\)](#)

Features

Product Type Features

Accuracy	±2 %
Humidity Sensor Product Type	RHT
Interface Signal Type	Analog

Electrical Characteristics

ESD Robustness	± 8 kV
Supply Voltage (Peak)	5.5 V
Current Consumption	161 mA

Usage Conditions

Humidity Operating Range	0 – 100 %RH
Operating Temperature Range	-40 – 257 °C[-40 – 257 °F]
Temperature Accuracy	± .2 °C

Other

Response Time	3 seconds
---------------	-----------

Product Compliance

[For compliance documentation, visit the product page on TE.com>](#)



EU RoHS Directive 2011/65/EU	Compliant
EU ELV Directive 2000/53/EC	Not Yet Reviewed
China RoHS 2 Directive MIIT Order No 32, 2016	No Restricted Materials Above Threshold
EU REACH Regulation (EC) No. 1907/2006	Current ECHA Candidate List: JUNE 2024 (241) Candidate List Declared Against: JUNE 2024 (241) Does not contain REACH SVHC
Halogen Content	Low Halogen - Br, Cl, F, I < 900 ppm per homogenous material. Also BFR/CFR/PVC Free
Solder Process Capability	Not reviewed for solder process capability

Product Compliance Disclaimer

This information is provided based on reasonable inquiry of our suppliers and represents our current actual knowledge based on the information they provided. This information is subject to change. The part numbers that TE has identified as EU RoHS compliant have a maximum concentration of 0.1% by weight in homogenous materials for lead, hexavalent chromium, mercury, PBB, PBDE, DBP, BBP, DEHP, DIBP, and 0.01% for cadmium, or qualify for an exemption to these limits as defined in the Annexes of Directive 2011/65/EU (RoHS2). Finished electrical and electronic equipment products will be CE marked as required by Directive 2011/65/EU. Components may not be CE marked. Additionally, the part numbers that TE has identified as EU ELV compliant have a maximum concentration of 0.1% by weight in homogenous materials for lead, hexavalent chromium, and mercury, and 0.01% for cadmium, or qualify for an exemption to these limits as defined in the Annexes of Directive 2000/53/EC (ELV). Regarding the REACH Regulation, the information TE provides on SVHC in articles for this part number is based on the latest European Chemicals Agency (ECHA) 'Guidance on requirements for substances in articles' posted at this URL: <https://echa.europa.eu/guidance-documents/guidance-on-reach>

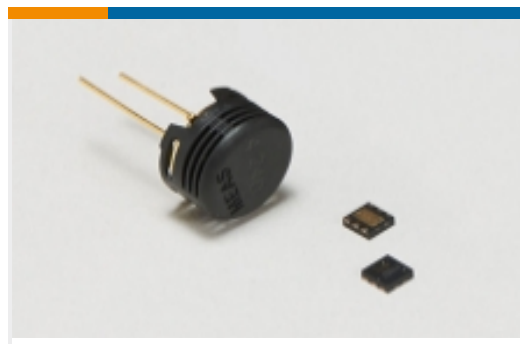
Compatible Parts



Also in the Series | [MEAS HTU](#)



Humidity Sensor Assemblies(4)



Humidity Sensor Components(18)



Sensor Development Boards and Evaluation Kits(3)

Customers Also Bought



TE Part #4525-DS5A001DP
PRESS XDCR, ANALOG, PSI RANGE



TE Part #HPP845E131R4
HTU21DF RH/T SENSOR IC B400



TE Part #10142048-20
HTU31D I.C 31D RH/T DIGITAL R400



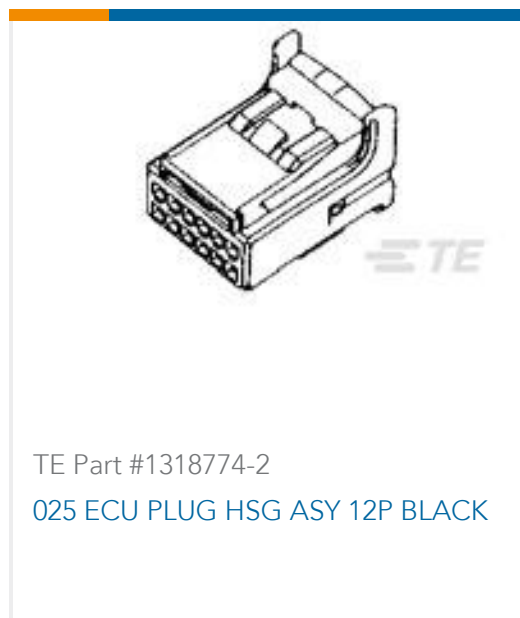
TE Part #5-103908-2
03 MTE HDR SRST LATCH W/HLDWN



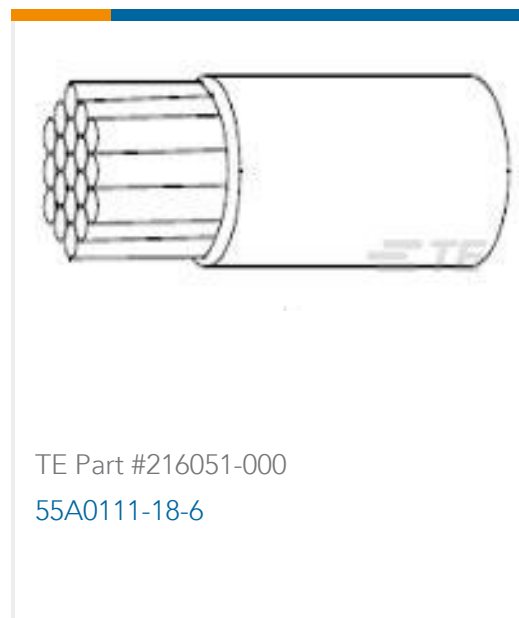
TE Part #1971845-3
3P, RAST 5 Tab Header, THV



TE Part #674983J001
V2-7.0-0-SP-SM



TE Part #1318774-2
025 ECU PLUG HSG ASY 12P BLACK



TE Part #216051-000
55A0111-18-6



TE Part #20009605-06
FX292X-100A-0050-L



TE Part #1-111506-4
50 UNIV I/O, SLOTTED, LEAD FREE

Documents

Datasheets & Catalog Pages

[HTU31 RHT SENSOR IC Data sheet](#)

English