

VAL-MS 600DC-PV-ST - Type 2 surge protection plug



2800623

<https://www.phoenixcontact.com/us/products/2800623>

Please be informed that the data shown in this PDF document is generated from our online catalog. Please find the complete data in the user documentation. Our general terms of use for downloads are valid.

Replacement plug for PV arrester combinations from the VAL-MS 600DC-PV-... product range



Commercial data

Item number	2800623
Packing unit	1 pc
Minimum order quantity	1 pc
Sales key	CL01
Product key	CL1324
Catalog page	Page 73 (C-4-2019)
GTIN	4046356615105
Weight per piece (including packing)	65.2 g
Weight per piece (excluding packing)	46.11 g
Customs tariff number	85363010
Country of origin	DE

VAL-MS 600DC-PV-ST - Type 2 surge protection plug



2800623

<https://www.phoenixcontact.com/us/products/2800623>

Technical data

Product properties

Product type	Replacement plug
Product family	VALVETRAB MS
IEC test classification	PV II PV T2
EN type	T2
IEC power supply system	DC
Type	Male
Number of positions	1
Installation location	Interior
Installation location of the disconnect device	Internal
Accessibility	Accessible
Connection configuration	Y configuration
SPD failure behavior	OCFM (Open-Circuit Failure Mode)
Surge protection fault message	optical

Data management status

Article revision	08
------------------	----

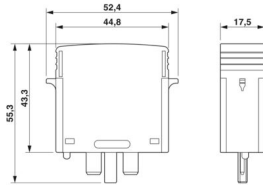
Insulation characteristics

Overvoltage category	III
Pollution degree	2

Connection data

Connection method	pluggable
-------------------	-----------

Dimensions

Dimensional drawing	
Width	17.5 mm
Height	52.4 mm
Depth	55.3 mm
Horizontal pitch	1 Div.

Material specifications

Color	black (RAL 9005)
Flammability rating according to UL 94	V-0
CTI value of material	600

VAL-MS 600DC-PV-ST - Type 2 surge protection plug



2800623

<https://www.phoenixcontact.com/us/products/2800623>

Insulating material	PA 6.6-FR
Material group	I
Housing material	PA 6.6-FR

Protective circuit

Standby power consumption P_C	≤ 25.00 mVA
Nominal discharge current I_n (8/20) μs	15 kA
Maximum discharge current I_{max} (8/20) μs	40 kA
Voltage protection level U_p	≤ 1.4 kV
Residual voltage U_{res}	≤ 1.4 kV (at I_n)
	≤ 1.1 kV (at 5 kA)
	≤ 1.3 kV (at 10 kA)
	≤ 1.5 kV (at 20 kA)
	≤ 1.8 kV (at 30 kA)
	≤ 2 kV (at 40 kA)
Response time t_A	≤ 25 ns

PV protective circuit

Connection configuration	Y configuration
SPD failure behavior	OCFM (Open-Circuit Failure Mode)

Protective circuit DC voltage side (DC)

Open circuit voltage U_{OCSTC}	≤ 330 V DC
Maximum discharge current I_{max} (8/20) μs	40 kA
Response time t_A	≤ 25 ns
Insulation resistance R_{iso}	> 5 G Ω (at 500 V DC)
Nominal discharge current I_n (8/20) μs	15 kA
Continuous operating current I_{CPV}	20 μA
Maximum continuous operating voltage U_{CPV}	400 V DC
Short-circuit current rating I_{SCPV}	2000 A
Residual voltage U_{res}	≤ 1.4 kV (at I_n)
	≤ 1.1 kV (at 5 kA)
	≤ 1.3 kV (at 10 kA)
	≤ 1.5 kV (at 20 kA)
	≤ 1.8 kV (at 30 kA)
	≤ 2 kV (at 40 kA)
Voltage protection level U_p	≤ 1.4 kV
Standby power consumption P_C	≤ 25.00 mVA

Environmental and real-life conditions

Ambient conditions

Degree of protection	IP20
Ambient temperature (operation)	-40 °C ... 80 °C
Ambient temperature (storage/transport)	-40 °C ... 80 °C
Altitude	≤ 2000 m (amsl)

VAL-MS 600DC-PV-ST - Type 2 surge protection plug



2800623

<https://www.phoenixcontact.com/us/products/2800623>

Permissible humidity (operation)	5 % ... 95 %
Shock (operation)	60g (Half-sine / 11 ms / 3x ±X, ±Y, ±Z)
Vibration (operation)	7.5g (5-500 Hz/2.5 h/XYZ)

Approvals

UL specifications

Maximum continuous operating voltage MCOV	800 V DC
Short-circuit current rating (SCCR)	50 kA
Voltage protection rating VPR	2 kV
Nominal discharge current I_n	20 kA
Mode of protection	(L+) - (L-) (L+) - G (L-) - G
Nominal voltage	800 V DC
Power distribution system	DC PV
SPD Type	1CA

Standards and regulations

Standards/specifications	EN 61643-31
Note	2019
Standards/specifications	IEC 61643-31
Note	2018

Mounting

Mounting type	on base element
---------------	-----------------

VAL-MS 600DC-PV-ST - Type 2 surge protection plug

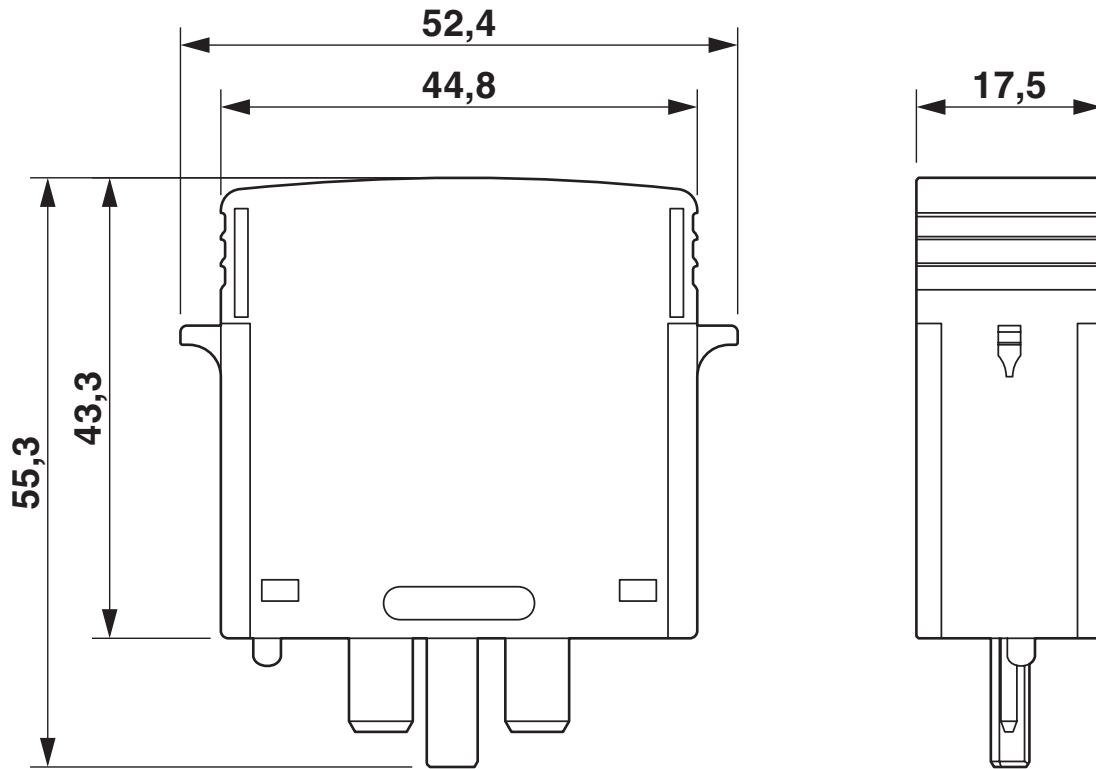
2800623

<https://www.phoenixcontact.com/us/products/2800623>



Drawings

Dimensional drawing



Circuit diagram



VAL-MS 600DC-PV-ST - Type 2 surge protection plug



2800623

<https://www.phoenixcontact.com/us/products/2800623>

Approvals

To download certificates, visit the product detail page: <https://www.phoenixcontact.com/us/products/2800623>



cUL Recognized

Approval ID: FILE E 330181



UL Recognized

Approval ID: FILE E 330181



EAC

Approval ID: RU C-DE.*09.B.00169



KEMA-KEUR

Approval ID: 71-123544 REV.2



IECEE CB Scheme

Approval ID: NL-81006/A1

CCA

Approval ID: NTR-NL 7937

UAE-RoHS

Approval ID: 22-09-51251

cULus Recognized

VAL-MS 600DC-PV-ST - Type 2 surge protection plug



2800623

<https://www.phoenixcontact.com/us/products/2800623>

Classifications

ECLASS

ECLASS-11.0	27130890
ECLASS-13.0	27171492

ETIM

ETIM 9.0	EC002496
----------	----------

UNSPSC

UNSPSC 21.0	39121620
-------------	----------

VAL-MS 600DC-PV-ST - Type 2 surge protection plug



2800623

<https://www.phoenixcontact.com/us/products/2800623>

Environmental product compliance

EU RoHS

Fulfills EU RoHS substance requirements	Yes, No exemptions
---	--------------------

China RoHS

Environment friendly use period (EFUP)	EFUP-E
	No hazardous substances above the limits

EU REACH SVHC

REACH candidate substance (CAS No.)	No substance above 0.1 wt%
-------------------------------------	----------------------------

Phoenix Contact 2024 © - all rights reserved
<https://www.phoenixcontact.com>

Phoenix Contact USA
586 Fulling Mill Road
Middletown, PA 17057, United States
(+717) 944-1300
info@phoenixcon.com