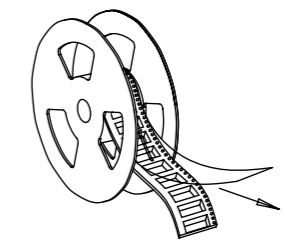
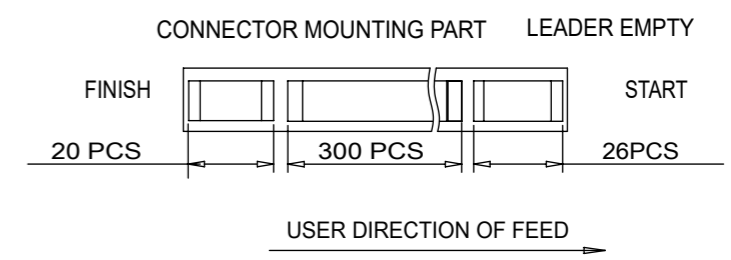


- NOTES
- 1. QUANTITY 300 PCS /REEL. CARRIER COLOR IS TRANSPARENT.
  - 2. REELING DIRECTION IN DELIVERY.

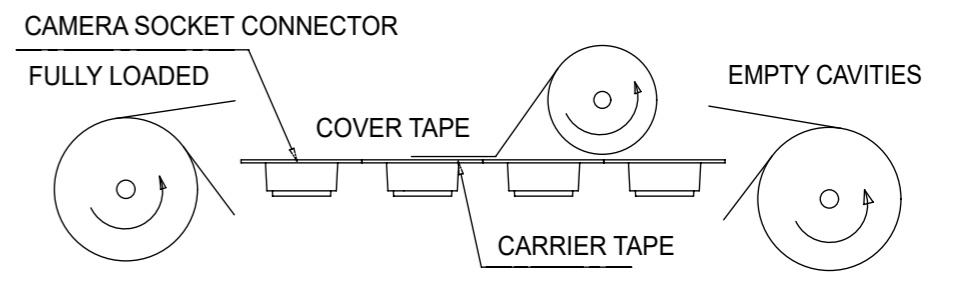
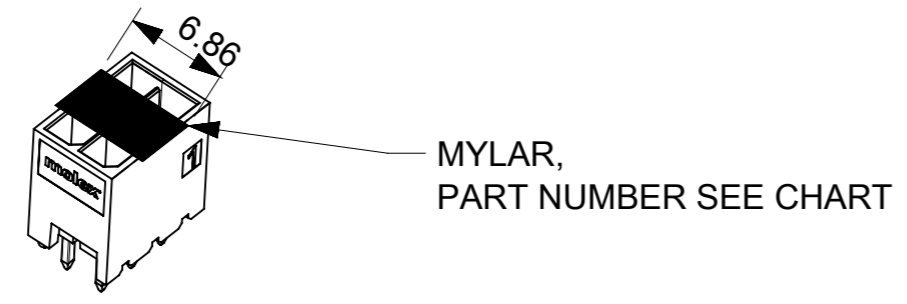
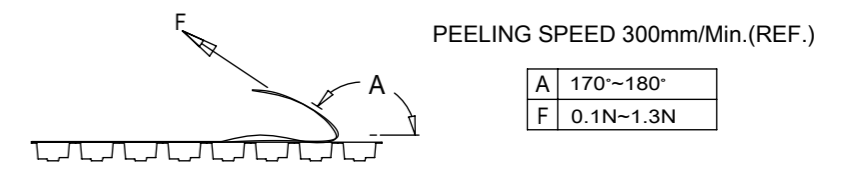


- 3. USER DIRECTION OF FEED



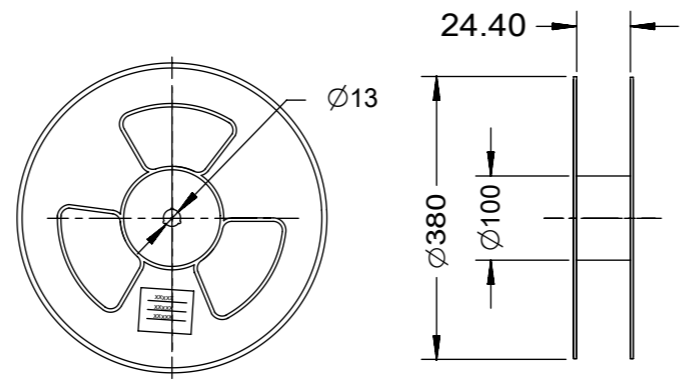
SECTION A-A

- 4. COVER TAPE PEELING FORCE

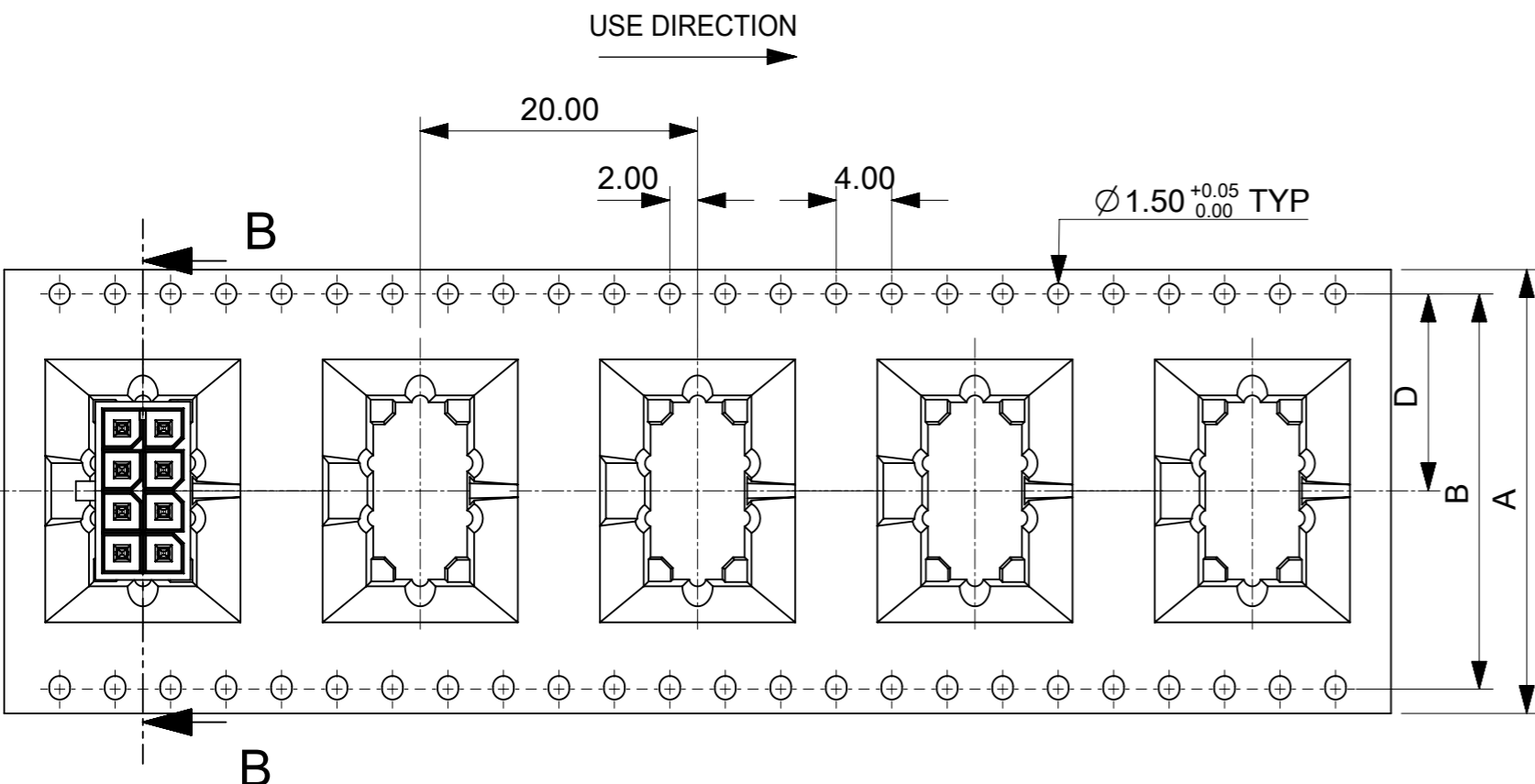


Ⓒ

CARRY TAPE SPEC			
TAPE PART NO.	DIM A	DIM B	DIM D
2068320200	24.00	N/A	4.15
2068320400	24.00	N/A	7.15
2068320600	24.00	N/A	11.50



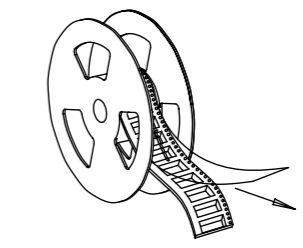
FUNCTIONAL SYMBOLS	THIS DRAWING CONTAINS INFORMATION THAT IS PROPRIETARY TO MOLEX ELECTRONIC TECHNOLOGIES, LLC AND SHOULD NOT BE USED WITHOUT WRITTEN PERMISSION		CURRENT REV DESC:				
	$\nabla_A = 0$ $\nabla_E = 0$ $\nabla_V = 0$	DIMENSION UNITS: mm SCALE: 2:1 GENERAL TOLERANCES (UNLESS SPECIFIED): ANGULAR TOL: $\pm 0.5^\circ$					
DIVISIONAL SYMBOLS	4 PLACES	±	INITIAL REVISION:		DOCUMENT NUMBER		
	3 PLACES	±	DRWN: SCHEN76		2068320001-PK		
	2 PLACES	± 0.13	APPR: AYIN		DOC TYPE	DOC PART	REVISION
	1 PLACE	± 0.25	2020/04/03		PDD	000	C
	0 PLACES	±	2020/07/28		SHEET NUMBER		
DRAFT WHERE APPLICABLE MUST REMAIN WITHIN DIMENSIONS		THIRD ANGLE PROJECTION		DRAWING	SERIES	MATERIAL NUMBER	CUSTOMER
				A3-SIZE	206832	1 OF 4	



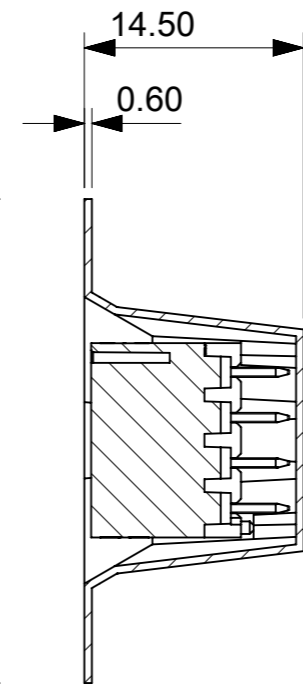
NOTES

1. QUANTITY 300 PCS /REEL. CARRIER COLOR IS TRANSPARENT.

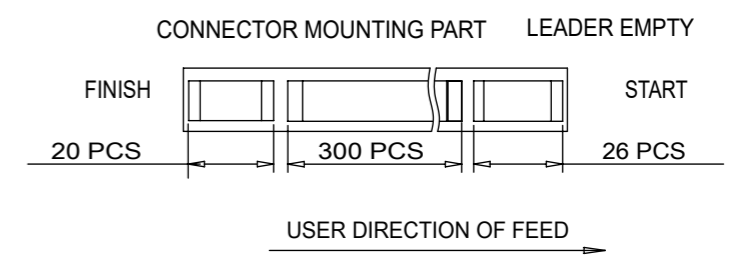
2. REELING DIRECTION IN DELIVERY.



USER DIRECTION OF FEED

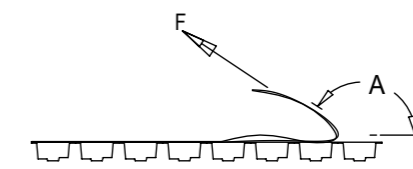


3. USER DIRECTION OF FEED



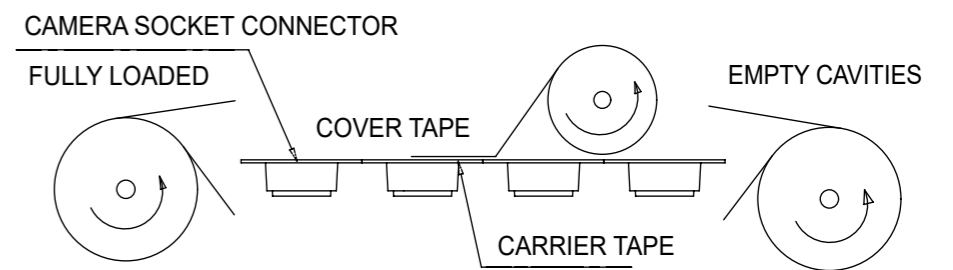
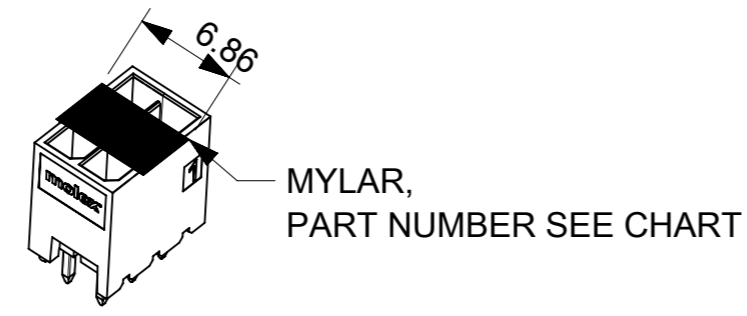
4. COVER TAPE PEELING FORCE

SECTION B-B



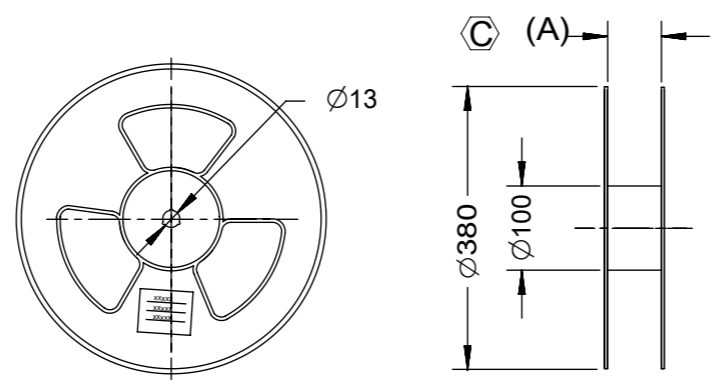
PEELING SPEED 300mm/Min.(REF.)

A	170°~180°
F	0.1N~1.3N



CARRY TAPE SPEC

TAPE PART NO.	DIM A	DIM B	DIM D
2068320800	32.00	28.40	14.20
2068321000	32.00	28.40	14.20
2068321200	44.00	40.40	20.20
2068321400	44.00	40.40	20.20
2068321600	44.00	40.40	20.20
2068321800	44.00	40.40	20.20
2068322000	56.00	52.40	26.20
2068322200	56.00	52.40	26.20
2068322400	56.00	52.40	26.20



FUNCTIONAL SYMBOLS	THIS DRAWING CONTAINS INFORMATION THAT IS PROPRIETARY TO MOLEX ELECTRONIC TECHNOLOGIES, LLC AND SHOULD NOT BE USED WITHOUT WRITTEN PERMISSION		CURRENT REV DESC:		<b>molex</b>			
	△/A = 0	mm						SCALE 2:1
△/E = 0	GENERAL TOLERANCES (UNLESS SPECIFIED)		EC NO: 677776		T&R PACKING FOR MICRO-FIT+ HEADER			
△/F = 0	ANGULAR TOL ± 0.5°		DRWN: ZIXUAQ 2021/03/29		PACKAGING DESIGN DRAWING			
DIVISIONAL SYMBOLS	4 PLACES ±	CHK'D: YXZHENG 2021/09/17		DOCUMENT NUMBER				
	3 PLACES ±	APPR: YXZHENG 2021/09/17		2068320001-PK		DOC TYPE	DOC PART	REVISION
	2 PLACES ± 0.13	INITIAL REVISION:		2020/04/03		PDD	000	C
	1 PLACE ± 0.25	DRWN: SCHEN76 2020/07/28		APPR: AYIN		SHEET NUMBER		
0 PLACES ±	DRAFT WHERE APPLICABLE MUST REMAIN WITHIN DIMENSIONS		THIRD ANGLE PROJECTION	DRAWING A3-SIZE	SERIES 206832	MATERIAL NUMBER SEE TABLE	CUSTOMER	2 OF 4

TAPE AND REEL PACKAGING SPEC FOR MICRO-FIT PLUS VERT HEADER

PACKAGED PART NO.	EMBOSSED CARRIER	CKT	MYLAR	COVER TAPE	CAPTON	PLASTIC REEL/HALF	PARTS/REEL	REEL/CARTON	PARTS PRE CARTON
206832-0221	206832-0200	2	2073531000	89499-0121	88596-1483	88596-1399	300	6	1800
206832-0421	206832-0400	4	2073531000	89499-0121	88596-1483	88596-1399	300	6	1800
206832-0621	206832-0600	6	2073531000	89499-0121	88596-1483	88596-1399	300	6	1800
206832-0821	206832-0800	8	2073531000	89499-0122	88596-1483	88596-1400	300	5	1500
206832-1021	206832-1000	10	2073531000	89499-0122	88596-1483	88596-1400	300	5	1500
206832-1221	206832-1200	12	2073531000	89499-0123	88596-1483	88596-1401	300	4	1200
206832-1421	206832-1400	14	2073532000	89499-0123	88596-1483	88596-1401	300	4	1200
206832-1621	206832-1600	16	2073532000	89499-0123	88596-1483	88596-1401	300	4	1200
206832-1821	206832-1800	18	2073532000	89499-0123	88596-1483	88596-1401	300	4	1200
206832-2021	206832-2000	20	2073532000	89499-0124	88596-1483	88596-1402	300	3	900
206832-2221	206832-2200	22	2073532000	89499-0124	88596-1483	88596-1402	300	3	900
206832-2421	206832-2400	24	2073532000	89499-0124	88596-1483	88596-1402	300	3	900

TAPE AND REEL PACKAGING SPEC FOR MICRO-FIT PLUS VERT HEADER

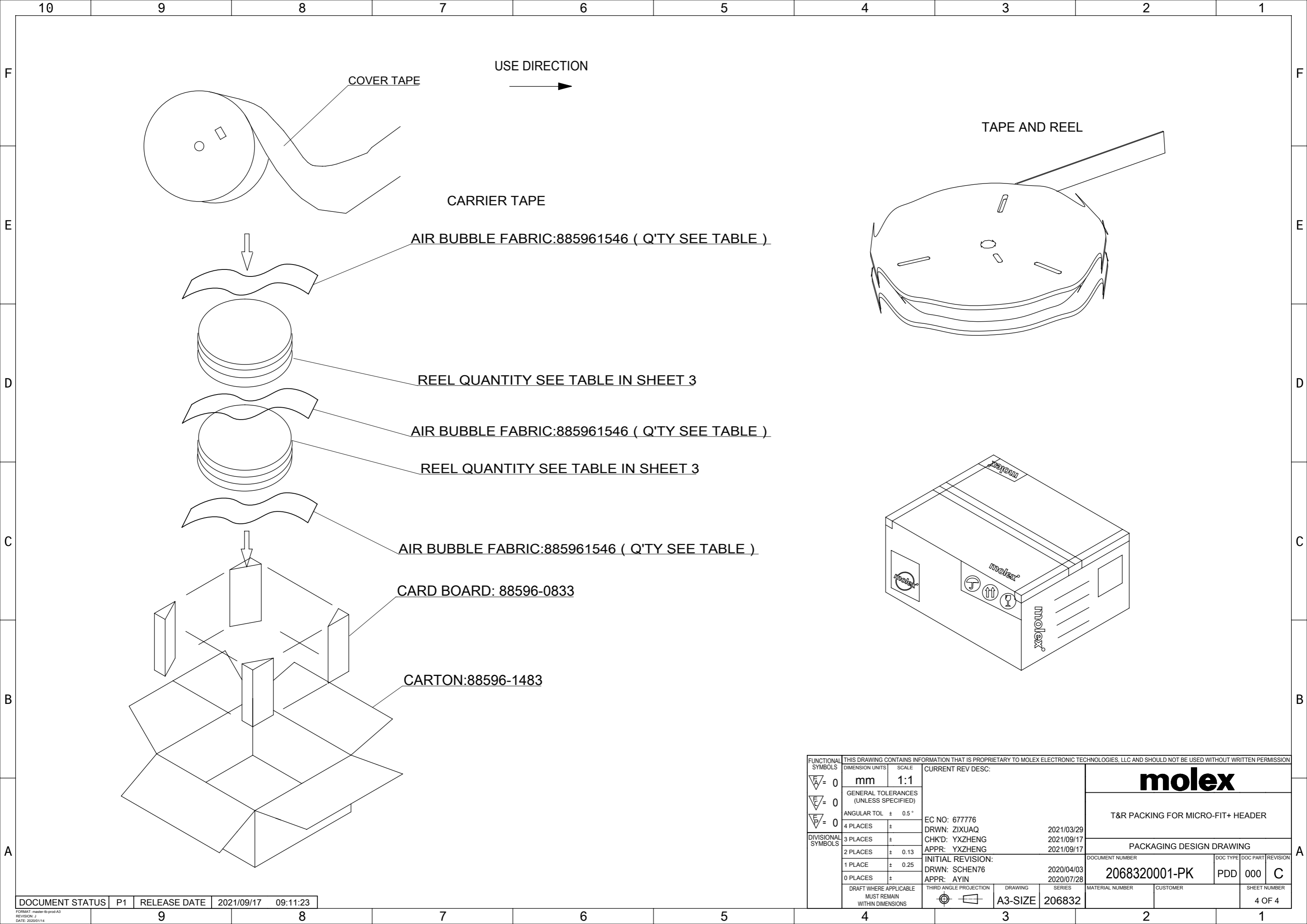
PACKAGED PART NO.	EMBOSSED CARRIER	CKT	MYLAR	COVER TAPE	CAPTON	PLASTIC REEL/HALF	PARTS/REEL	REEL/CARTON	PARTS PRE CARTON
206832-0222	206832-0200	2	2073531000	89499-0121	88596-1483	88596-1399	300	6	1800
206832-0422	206832-0400	4	2073531000	89499-0121	88596-1483	88596-1399	300	6	1800
206832-0622	206832-0600	6	2073531000	89499-0121	88596-1483	88596-1399	300	6	1800
206832-0822	206832-0800	8	2073531000	89499-0122	88596-1483	88596-1400	300	5	1500
206832-1022	206832-1000	10	2073531000	89499-0122	88596-1483	88596-1400	300	5	1500
206832-1222	206832-1200	12	2073531000	89499-0123	88596-1483	88596-1401	300	4	1200
206832-1422	206832-1400	14	2073532000	89499-0123	88596-1483	88596-1401	300	4	1200
206832-1622	206832-1600	16	2073532000	89499-0123	88596-1483	88596-1401	300	4	1200
206832-1822	206832-1800	18	2073532000	89499-0123	88596-1483	88596-1401	300	4	1200
206832-2022	206832-2000	20	2073532000	89499-0124	88596-1483	88596-1402	300	3	900
206832-2222	206832-2200	22	2073532000	89499-0124	88596-1483	88596-1402	300	3	900
206832-2422	206832-2400	24	2073532000	89499-0124	88596-1483	88596-1402	300	3	900

TAPE AND REEL PACKAGING SPEC FOR MICRO-FIT PLUS VERT HEADER

PACKAGED PART NO.	EMBOSSED CARRIER	CKT	MYLAR	COVER TAPE	CAPTON	PLASTIC REEL/HALF	PARTS/REEL	REEL/CARTON	PARTS PRE CARTON
206832-0223	206832-0200	2	2073531000	89499-0121	88596-1483	88596-1399	300	6	1800
206832-0423	206832-0400	4	2073531000	89499-0121	88596-1483	88596-1399	300	6	1800
206832-0623	206832-0600	6	2073531000	89499-0121	88596-1483	88596-1399	300	6	1800
206832-0823	206832-0800	8	2073531000	89499-0122	88596-1483	88596-1400	300	5	1500
206832-1023	206832-1000	10	2073531000	89499-0122	88596-1483	88596-1400	300	5	1500
206832-1223	206832-1200	12	2073531000	89499-0123	88596-1483	88596-1401	300	4	1200
206832-1423	206832-1400	14	2073532000	89499-0123	88596-1483	88596-1401	300	4	1200
206832-1623	206832-1600	16	2073532000	89499-0123	88596-1483	88596-1401	300	4	1200
206832-1823	206832-1800	18	2073532000	89499-0123	88596-1483	88596-1401	300	4	1200
206832-2023	206832-2000	20	2073532000	89499-0124	88596-1483	88596-1402	300	3	900
206832-2223	206832-2200	22	2073532000	89499-0124	88596-1483	88596-1402	300	3	900
206832-2423	206832-2400	24	2073532000	89499-0124	88596-1483	88596-1402	300	3	900

DOCUMENT STATUS	P1	RELEASE DATE	2021/09/17	09:11:23
-----------------	----	--------------	------------	----------

DIMENSION UNITS: <b>mm</b> SCALE: <b>1:1</b>		THIS DRAWING CONTAINS INFORMATION THAT IS PROPRIETARY TO MOLEX ELECTRONIC TECHNOLOGIES, LLC AND SHOULD NOT BE USED WITHOUT WRITTEN PERMISSION	
GENERAL TOLERANCES (UNLESS SPECIFIED) ANGULAR TOL ± 0.5° 4 PLACES ± 3 PLACES ± 2 PLACES ± 0.13 1 PLACE ± 0.25 0 PLACES ±		CURRENT REV DESC: EC NO: 677776 DRWN: ZIXUAQ 2021/03/29 CHK'D: YXZHENG 2021/09/17 APPR: YXZHENG 2021/09/17	
DRAFT WHERE APPLICABLE MUST REMAIN WITHIN DIMENSIONS		THIRD ANGLE PROJECTION	
DRAWING: <b>A3-SIZE</b>		SERIES: <b>206832</b>	
MATERIAL NUMBER: <b>SEE TABLE</b>		CUSTOMER:	
DOCUMENT NUMBER: <b>2068320001-PK</b>		DOC TYPE: <b>PDD</b>	
DOC PART: <b>000</b>		REVISION: <b>C</b>	
SHEET NUMBER: <b>3 OF 4</b>		MOLEX T&R PACKING FOR MICRO-FIT+ HEADER PACKAGING DESIGN DRAWING	



USE DIRECTION



COVER TAPE

CARRIER TAPE

AIR BUBBLE FABRIC:885961546 ( Q'TY SEE TABLE )

REEL QUANTITY SEE TABLE IN SHEET 3

AIR BUBBLE FABRIC:885961546 ( Q'TY SEE TABLE )

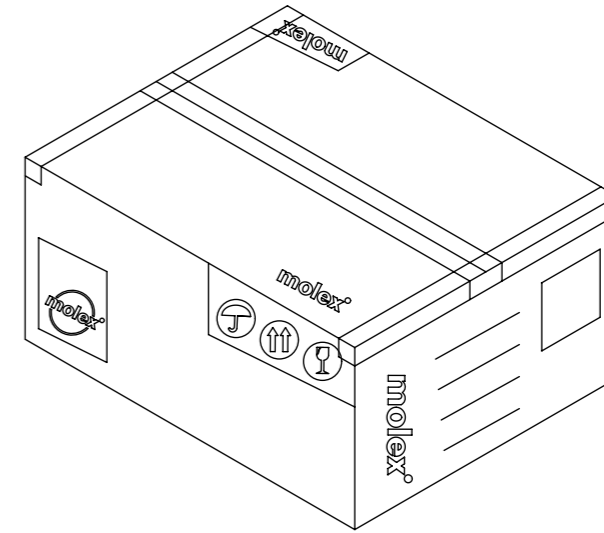
REEL QUANTITY SEE TABLE IN SHEET 3

AIR BUBBLE FABRIC:885961546 ( Q'TY SEE TABLE )

CARD BOARD: 88596-0833

CARTON:88596-1483

TAPE AND REEL



FUNCTIONAL SYMBOLS	THIS DRAWING CONTAINS INFORMATION THAT IS PROPRIETARY TO MOLEX ELECTRONIC TECHNOLOGIES, LLC AND SHOULD NOT BE USED WITHOUT WRITTEN PERMISSION		
	DIMENSION UNITS	SCALE	CURRENT REV DESC:
$\nabla_A = 0$	mm	1:1	<p><b>molex</b></p> <p>T&amp;R PACKING FOR MICRO-FIT+ HEADER</p>
$\nabla_E = 0$	GENERAL TOLERANCES (UNLESS SPECIFIED)		
$\nabla_F = 0$	ANGULAR TOL $\pm 0.5^\circ$		
DIVISIONAL SYMBOLS	4 PLACES	$\pm$	
	3 PLACES	$\pm$	<p>EC NO: 67776</p> <p>DRWN: ZIXUAQ 2021/03/29</p> <p>CHK'D: YXZHENG 2021/09/17</p> <p>APPR: YXZHENG 2021/09/17</p>
	2 PLACES	$\pm 0.13$	<p>INITIAL REVISION:</p> <p>DRWN: SCHEN76 2020/04/03</p> <p>APPR: AYIN 2020/07/28</p>
	1 PLACE	$\pm 0.25$	<p>DOCUMENT NUMBER</p> <p>2068320001-PK</p>
	0 PLACES	$\pm$	<p>DOC TYPE</p> <p>PDD</p>
	DRAFT WHERE APPLICABLE MUST REMAIN WITHIN DIMENSIONS		<p>DOC PART</p> <p>000</p>
	THIRD ANGLE PROJECTION	DRAWING	<p>REVISION</p> <p>C</p>
		A3-SIZE	<p>MATERIAL NUMBER</p> <p>206832</p>
		SERIES	<p>CUSTOMER</p>
			<p>SHEET NUMBER</p> <p>4 OF 4</p>