

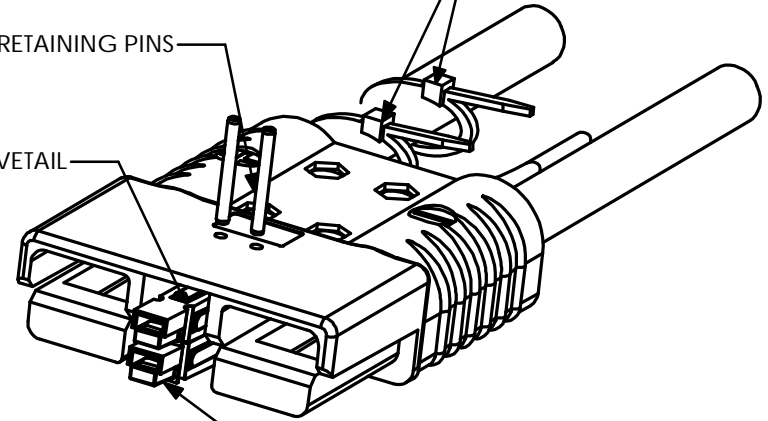
THE INFORMATION CONTAINED IN THIS DRAWING IS THE SOLE PROPERTY OF ANDERSON POWER PRODUCTS. ANY REPRODUCTION IN PART OR WHOLE WITHOUT THE WRITTEN PERMISSION OF ANDERSON POWER PRODUCTS IS PROHIBITED.

COMPONENTS INCLUDED IN AUXILIARY CONTACT KITS

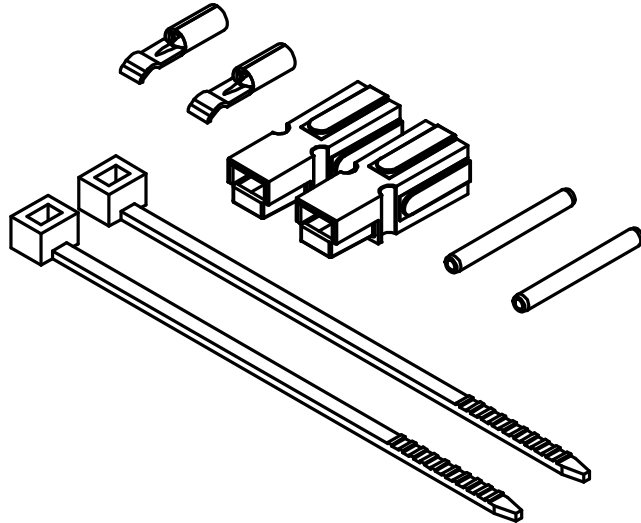
COMPONENT	QTY
PP HOUSING W/ SPRING	2
CONTACTS	2
RETAINING PINS	2
CABLE TIES	2

USE CABLE TIES TO SECURE AUXILIARY CONTACT LEADS TO ONE OF THE MAIN CABLES

RETAINING PINS
MALE DOVETAIL



POWERPOLE HOUSINGS W/CRIMPED CONTACTS
EXPLODED VIEW



CAT. NO	APPLICATION	CONTACT	WIRE SIZE	PIN LG
6344	SBE80,160,SBO60,SBX175	1331	#12/16	.85
6305G1	SBE320, SBX350	1331	#12/16	1.00
6310G1	SBE320, SBX350	1332	#16/20	1.00

NOTES:

- POWERPOLE CONNECTOR RATINGS WHEN USED IN SBE/SBO/SBX WITH MAXIMUM WIRE SIZE:
1331 CONTACT- 20 AMPS
1332 CONTACT- 10 AMPS
- SBE/SBO/SBX CONNECTORS SOLD SEPARATELY

ITEM NO.	PART OR IDENTIFYING NO.	NOMENCLATURE OR DESCRIPTION	MATERIAL SPECIFICATION	QTY REQD
COPYRIGHT 2000 ANDERSON POWER PRODUCTS. ALL RIGHTS RESERVED. UNAUTHORIZED REPRODUCTION HEREBY PROHIBITED.				
DIMENSIONS ARE IN INCHES DIMENSIONS IN PARENTHESES [] ARE IN MILLIMETERS		CAD GENERATED DRAWING, DO NOT MANUALLY UPDATE		ANDERSON POWER PRODUCTS AUXILIARY CONTACT KITS SBE/SBO/SBX CONNECTORS SIZE SPECIFICATION: 114246S1 REV. 1
TOLERANCES ARE: 2PL- ±.02 [±.5]		APPROVALS	DATE	
MATERIALS: --		DRAWN	CMS 4/27/00	
FINISH --		CHECKED	DJD 5/8/00	
NEXT ASSY USED ON		RESP ENG	UFN 5/8/00	
APPLICATION		MFG ENG	CHB 5/8/00	SCALE NONE
DO NOT SCALE DRAWING		QUAL ENG	RPO 5/5/00	CADFILES/01218
				SHEET 1 OF 1

DATE	7/1/02
BY:	CMS
DESCRIPTION OF CHANGES	ECRN 13500
REV.	1

Mouser Electronics

Authorized Distributor

Click to View Pricing, Inventory, Delivery & Lifecycle Information:

[Anderson Power Products:](#)

[6344](#)