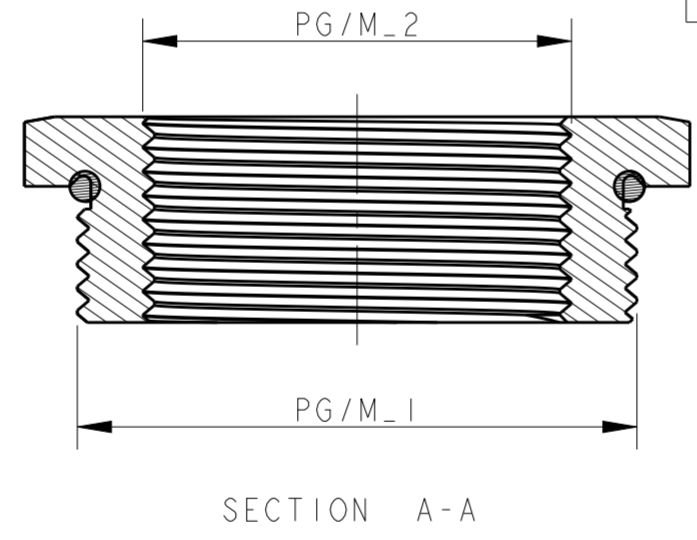
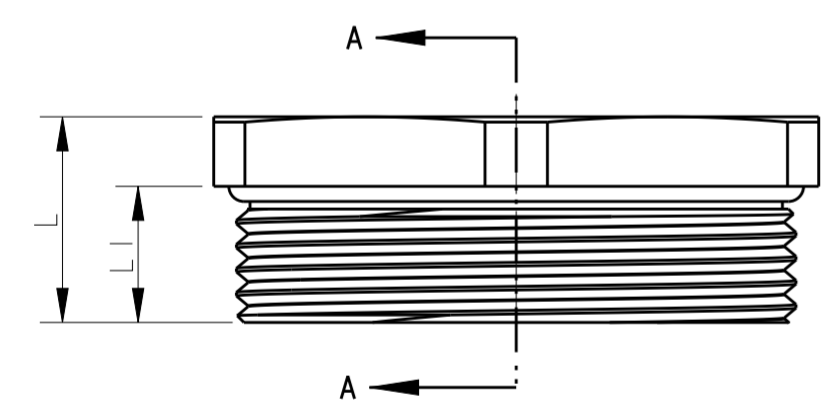
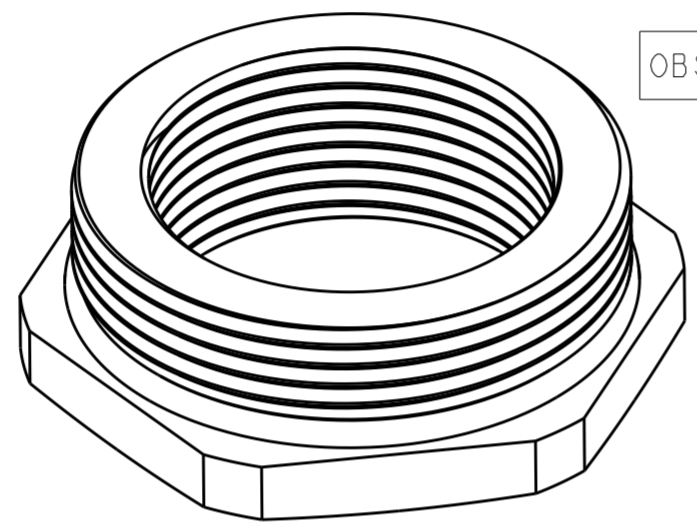
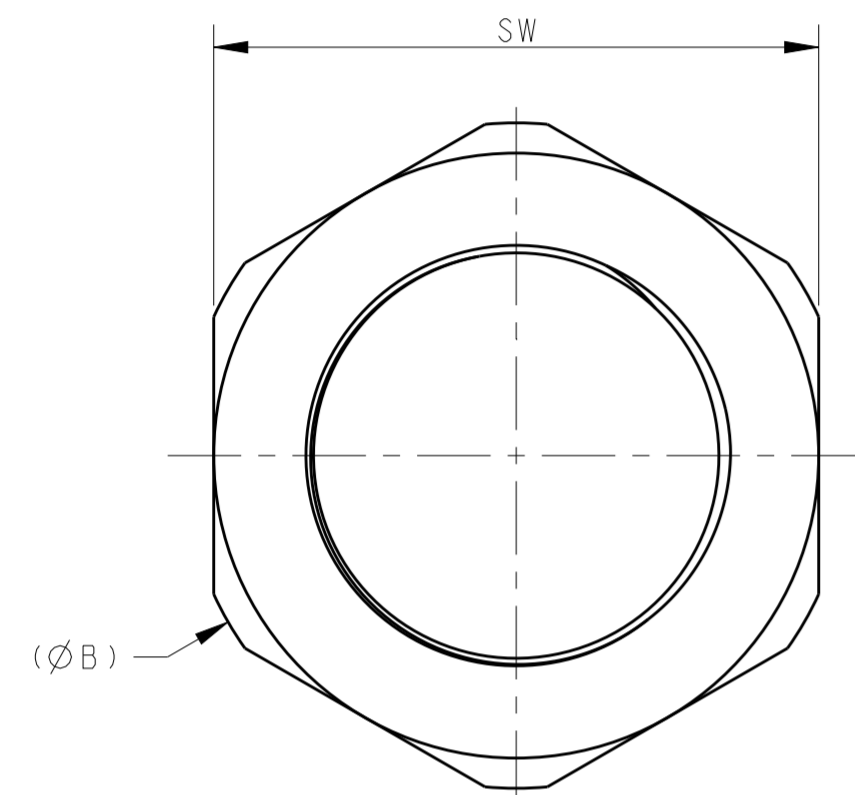
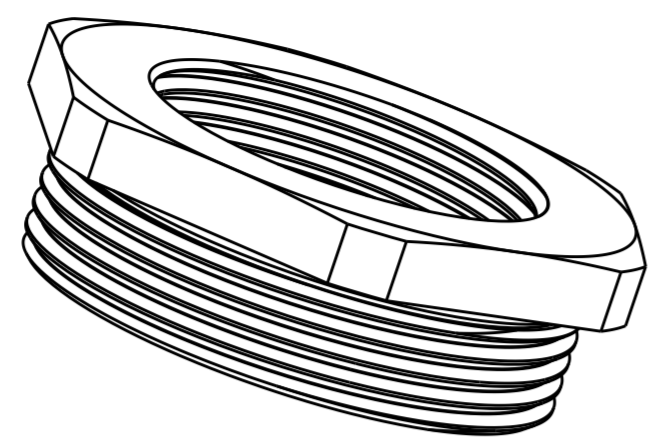


THIS DRAWING IS UNPUBLISHED. RELEASED FOR PUBLICATION 20
 © COPYRIGHT 20 BY - ALL RIGHTS RESERVED.

REVISIONS					
P	LTR	DESCRIPTION	DATE	DWN	APVD
A		INITIAL RELEASE	13MAY2016	DL	CW
AI		ECR-19-004297	21MAR2019	SR	CW



OBSOLETE	PART NUMBER	PART DESCRIPTION	MATERIAL	PG/M_1	PG/M_2	SW	B	L	LI
	T3167090701-000	REDU 9/7-PG METAL REDUCERS(PG9-PG7) 金属变径接头_减径(PG9-PG7)	BRASS WITH Ni PLATED	PG9	PG7	17	18.9	10	7
	T3071110701-000	REDU-11/7-PG METAL REDUCERS(PG11-PG7) 金属变径接头_减径(PG11-PG7)		PG11	PG7	21	23.3	10.5	7
	T3071110901-000	REDU-11/9-PG METAL REDUCERS(PG11-PG9) 金属变径接头_减径(PG11-PG9)		PG11	PG9	21	23.3	10.5	7
OBSOLETE	T3071111601-000	REDU PG11-M16 METAL REDUCERS(PG11-M16) 金属变径接头_减径(PG11-M16)		PG11	M16	20	22.3	11	7
	T3071131101-000	REDU-13/11-PG METAL REDUCERS(PG13.5-PG11) 金属变径接头_减径(PG13.5-PG11)		PG13.5	PG11	24	26.6	10.5	7
OBSOLETE	T3167161101-000	REDU-16/11-PG METAL REDUCERS(PG16-PG11) 金属变径接头_减径(PG16-PG11)		PG16	PG11	26	28.9	10.5	7
	T3071161301-000	REDU-16/13-PG METAL REDUCERS(PG16-PG13.5) 金属变径接头_减径(PG16-PG13.5)		PG16	PG13.5	26	28.9	10.5	7
OBSOLETE	T3071161601-000	REDU PG16-M16 METAL REDUCERS(PG16-M16) 金属变径接头_减径(PG16-M16)		PG16	M16	24	26.6	11	7
	T3167210901-000	REDU-21/9-PG METAL REDUCERS(PG21-PG9) 金属变径接头_减径(PG21-PG9)		PG21	PG9	30	33	10.3	7
	T3167211101-000	REDU-21/11-PG METAL REDUCERS(PG21-PG11) 金属变径接头_减径(PG21-PG11)		PG21	PG11	30	33	10.3	7
	T3167211301-000	REDU-21/13-PG METAL REDUCERS(PG21-PG13.5) 金属变径接头_减径(PG21-PG13.5)		PG21	PG13.5	30	33	11	7
	T3071211602-000	REDU-21/16-PG METAL REDUCERS(PG21-PG16) 金属变径接头_减径(PG21-PG16)		PG21	PG16	30	33	11	7
	T3071212502-000	REDU-PG21-M25 METAL REDUCERS(PG21-M25) 金属变径接头_减径(PG21-M25)		PG21	M25	30	33	11	7
	T3071292101-000	REDU-29/21-PG METAL REDUCERS(PG29-PG21) 金属变径接头_减径(PG29-PG21)		PG29	PG21	40	44	13.6	9
	T3071293202-000	REDU-PG29-M32 METAL REDUCERS(PG29-M32) 金属变径接头_减径(PG29-M32)		PG29	M32	40	44	13.6	9
	T3071362902-000	REDU-36/29-PG METAL REDUCERS(PG36-PG29) 金属变径接头_减径(PG36-PG29)		PG36	PG29	50	54	13.6	9
	T3071423601-000	REDU-42/36-PG METAL REDUCERS(PG42-PG36) 金属变径接头_减径(PG42-PG36)		PG42	PG36	57	62.5	14	10
	T3071161250-000	REDU-16/12-M METAL REDUCERS(M16-M12) 金属变径接头_减径(M16-M12)		M16	M12	19	21	9.5	7
OBSOLETE	T3071200900-000	REDU-M20-PG9 METAL REDUCERS(M20-PG9) 金属变径接头_减径(M20-PG9)		M20	PG9	24	26.6	9.5	7
	T3071201101-000	REDU-M20-PG11 METAL REDUCERS(M20-PG11) 金属变径接头_减径(M20-PG11)		M20	PG11	24	26.6	9.5	7
	T3071201250-000	REDU-20/12-M METAL REDUCERS(M20-M12) 金属变径接头_减径(M20-M12)	M20	M12	24	26.6	9.5	7	
	T3071201650-000	REDU-20/16-M METAL REDUCERS(M20-M16) 金属变径接头_减径(M20-M16)	M20	M16	22	24.4	9.5	7	
	T3071252050-000	REDU-25/20-M METAL REDUCERS(M25-M20) 金属变径接头_减径(M25-M20)	M25	M20	30	33	10.6	7.2	
	T3167322111-000	REDU-32/21 METAL REDUCERS(M32-PG21) 金属变径接头_减径(M32-PG21)	M32	PG21	36	39.3	11.4	8	
	T3071322550-000	REDU-32/25-M METAL REDUCERS(M32-M25) 金属变径接头_减径(M32-M25)	M32	M25	34	38.1	11.5	8	
	T3071403250-000	REDU-40/32-M METAL REDUCERS(M40-M32) 金属变径接头_减径(M40-M32)	M40	M32	45	49.6	12.5	9	
	T3167503211-000	REDU-50/32-M METAL REDUCERS(M50-M32) 金属变径接头_减径(M50-M32)	M50	M32	55	62	14	10	
	T3071504050-000	REDU-50/40-M METAL REDUCERS(M50-M40) 金属变径接头_减径(M50-M40)	M50	M40	55	62	14	10	
OBSOLETE	T3167251621-000	REDU 25/16-BX METAL REDUCERS(M25-PG16) (STAINLESS STEEL) 金属变径接头_减径(M25-PG16)(不锈钢)	STAINLESS STEEL	M25	PG16	30	33	10.6	7.2
OBSOLETE	T3167322121-000	REDU-32/21-BX METAL REDUCERS(M32-PG21) (STAINLESS STEEL) 金属变径接头_减径(M32-PG21)(不锈钢)		M32	PG21	36	39.3	11.4	8
OBSOLETE	T3167362901-000	REDU 36/29-PG BX METAL REDUCERS(PG36-PG29) (STAINLESS STEEL) 金属变径接头_减径(PG36-PG29)(不锈钢)		PG36	PG29	50	54	13.6	9

NOTES:
 1. TECHNICAL CHARACTERISTICS:
 BODY MATERIAL: SEE TABLE
 O-RING MATERIAL: NBR
 OPERATION TEMPERATURE: -40-+100°C

注释:
 1. 技术参数:
 主体材料: 见表格
 O型圈材料: NBR
 工作温度: -40-+100°C

THIS DRAWING IS A CONTROLLED DOCUMENT.	
DIMENSIONS: mm	TOLERANCES UNLESS OTHERWISE SPECIFIED: 0 PLC ± 1 PLC ± 2 PLC ± 3 PLC ± 4 PLC ± ANGLES ± FINISH
MATERIAL	

DWN	DAVID LI	13MAY2016
CHK	CHRIS WANG	13MAY2016
APVD	XU XIANG	13MAY2016
PRODUCT SPEC		
APPLICATION SPEC		
WEIGHT		
CUSTOMER DRAWING		

STE TE Connectivity

NAME: METAL REDUCERS

SIZE: A2 CAGE CODE: - DRAWING NO: T3071XXXXXX000 RESTRICTED TO: -

SCALE: 2:1 SHEET: 1 OF 1 REV: AI