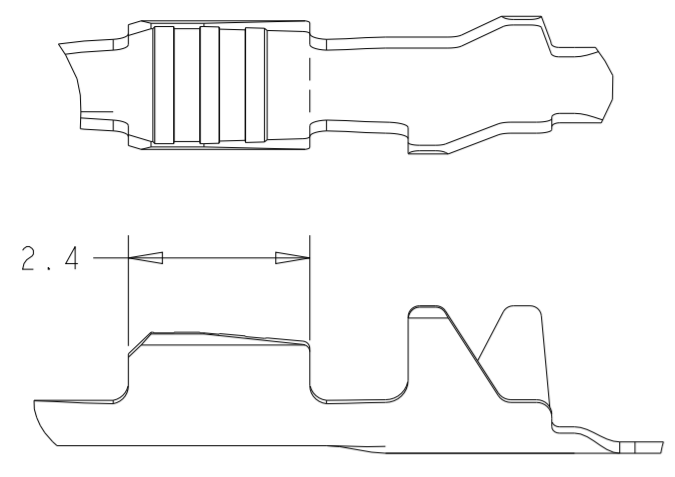
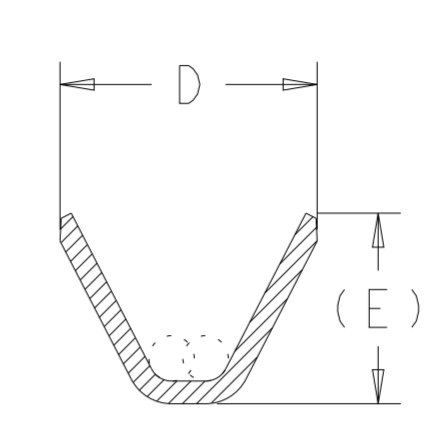
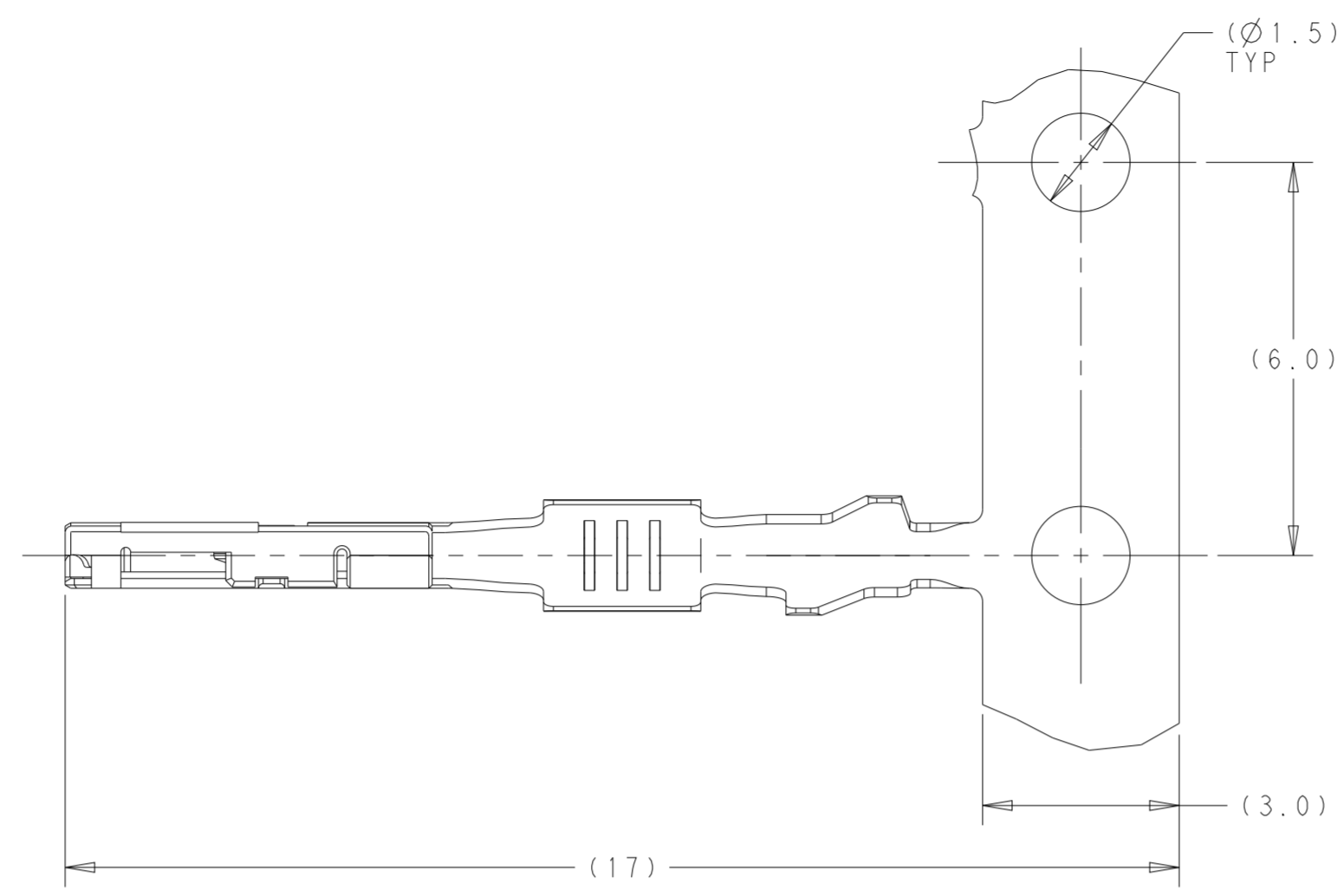


THIS DRAWING IS UNPUBLISHED. RELEASED FOR PUBLICATION 20  
 © COPYRIGHT 2017 BY TE Connectivity ALL RIGHTS RESERVED.

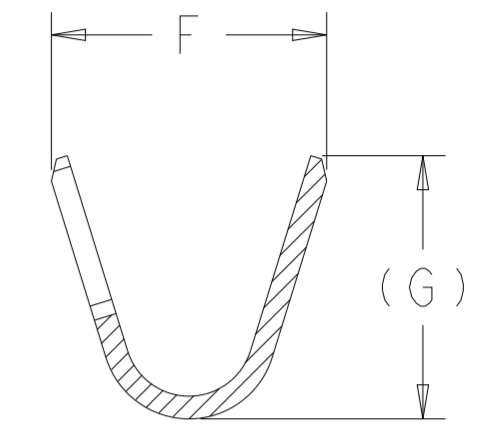
REVISIONS					
P	LTR	DESCRIPTION	DATE	DWN	APVD
B2		REV PER ECO-18-003081	13MAR2018	HM	DF
B3		REV PER ECN-22-173535	07SEP2022	LV	SM



2098583-2  
 WIRE BARREL AND  
 SERRATION DETAIL  
 SCALE 10:1

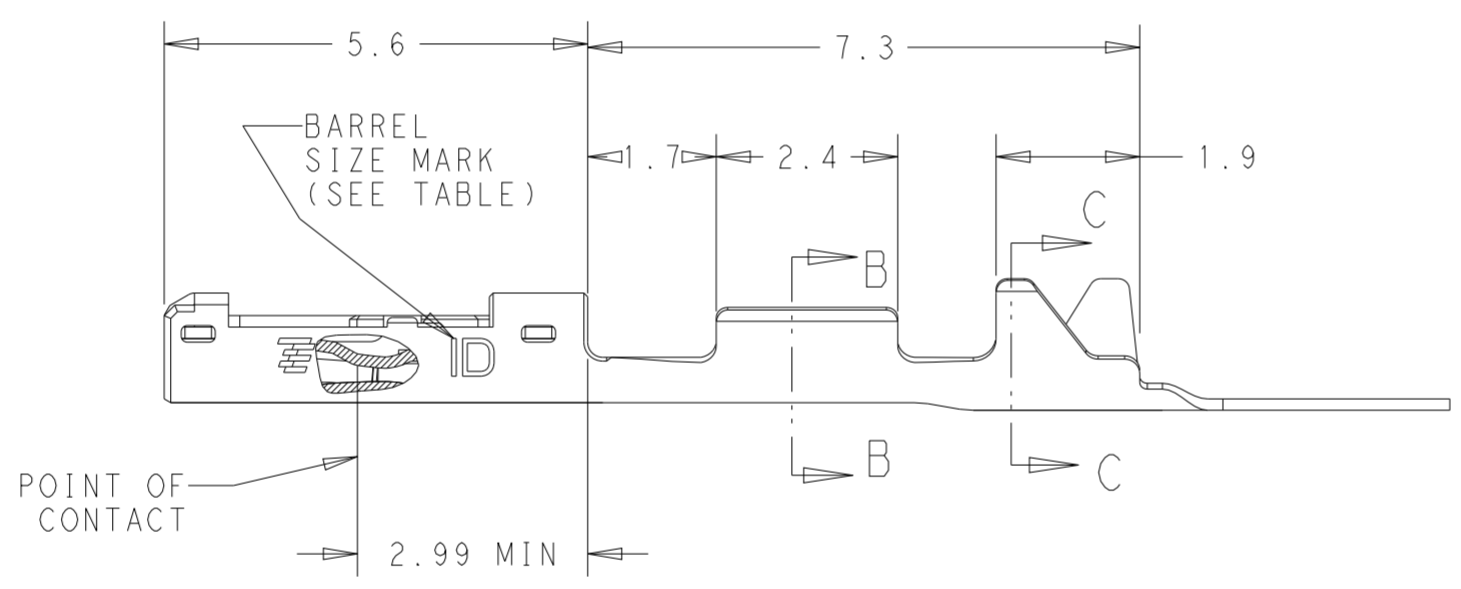
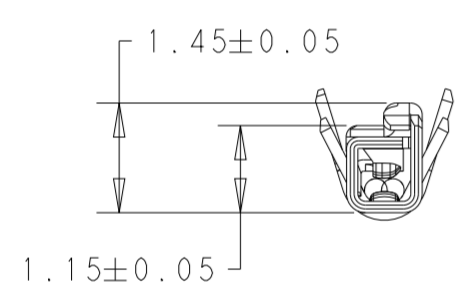


SECTION B-B  
 SCALE 20:1



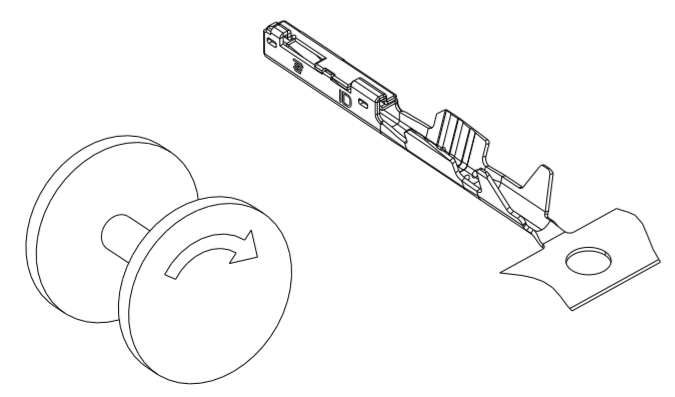
SECTION C-C  
 SCALE 20:1

- MATL: COPPER ALLOY, PRE-PLATED WITH 0.8 MIN TIN.
  - USCAR-2 REV 6,  
 TEMPERATURE CLASS 2 (-40°C TO +100°C)  
 VIBRATION CLASS 1 (CHASSIS PROFILE)  
 SEALING CLASS 1 (UNSEALED)
  - TERMINAL TO TERMINAL ENGAGEMENT FORCE TARGET OF 2.2N MAX AVERAGE
- △4 HAS COMPLETED PV TESTING.



OBSOLETE

0.0780	7 STRAND, SYMMETRIC	0.85 TO 0.95	0.13	1.74	1.82	1.26	1.70	S	0.50 FEMALE TERM (S)	2098583-4 △4
NOT RELEASED										2098583-3
0.0798	7 STRAND, SYMMETRIC	1.10 TO 1.40	0.35	1.95	1.82	1.50	1.70	N	0.50 FEMALE TERM (N)	2098583-2 △4
0.0788	7 STRAND, SYMMETRIC	0.95 TO 1.20	0.35	1.95	1.82	1.35	1.70	M	0.50 FEMALE TERM (M)	2098583-1
WEIGHT (GRAMS)	WIRE CONSTRUCTION (mm <sup>2</sup> )	INSULATION RANGE (OD)	WIRE RANGE (mm <sup>2</sup> )	DIMENSION LETTER				BARREL SIZE ID	DESCRIPTION	PART NUMBER



REELING DIRECTION  
 SCALE 4:1

THIS DRAWING IS A CONTROLLED DOCUMENT.

DWN: F. KINSEY 22JAN2010  
 CHK: F. KINSEY 22JAN2010  
 APVD: F. KINSEY 22JAN2010

**STE** TE Connectivity

NAME: RECEPTACLE CONTACT, CRIMP TYPE, GENERATION 50

SIZE: A2 CAGE CODE: 00779 DRAWING NO: C-2098583 RESTRICTED TO: -

MATERIAL: SEE NOTES FINISH: SEE NOTES

APPLICATION SPEC: 114-13287 WEIGHT: -

CUSTOMER DRAWING SCALE: 10:1 SHEET: 1 OF 1 REV: B3