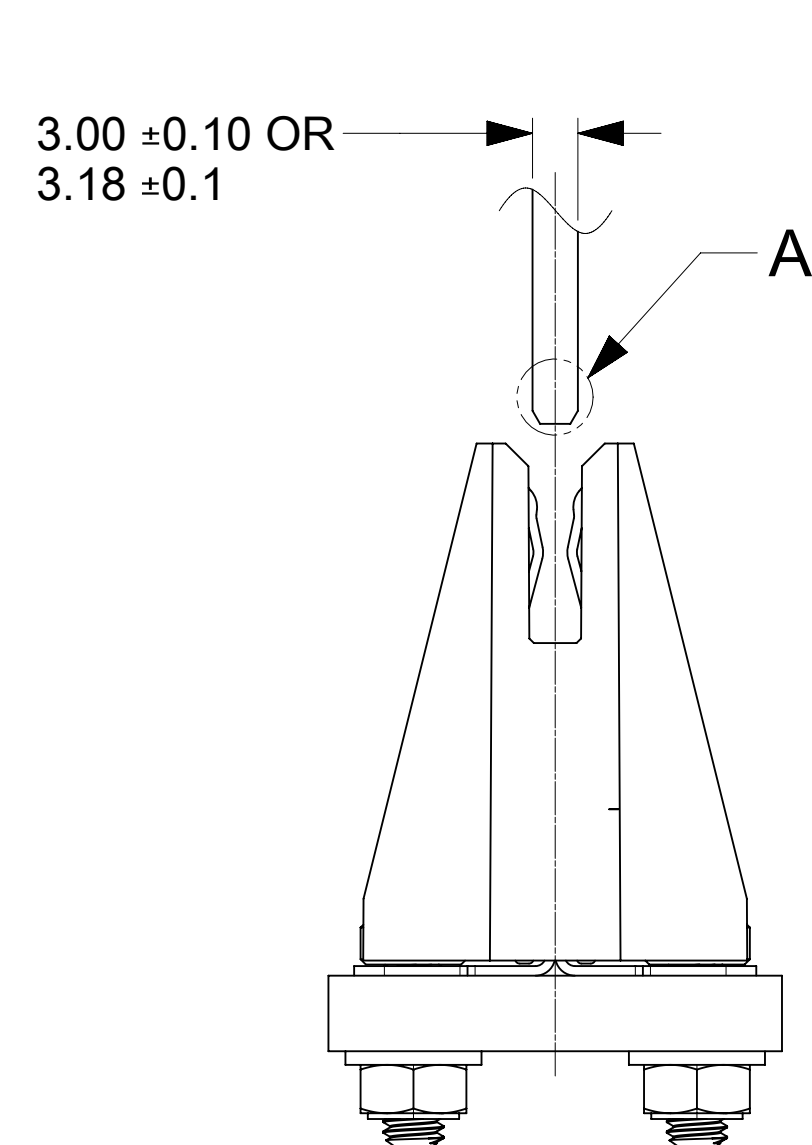
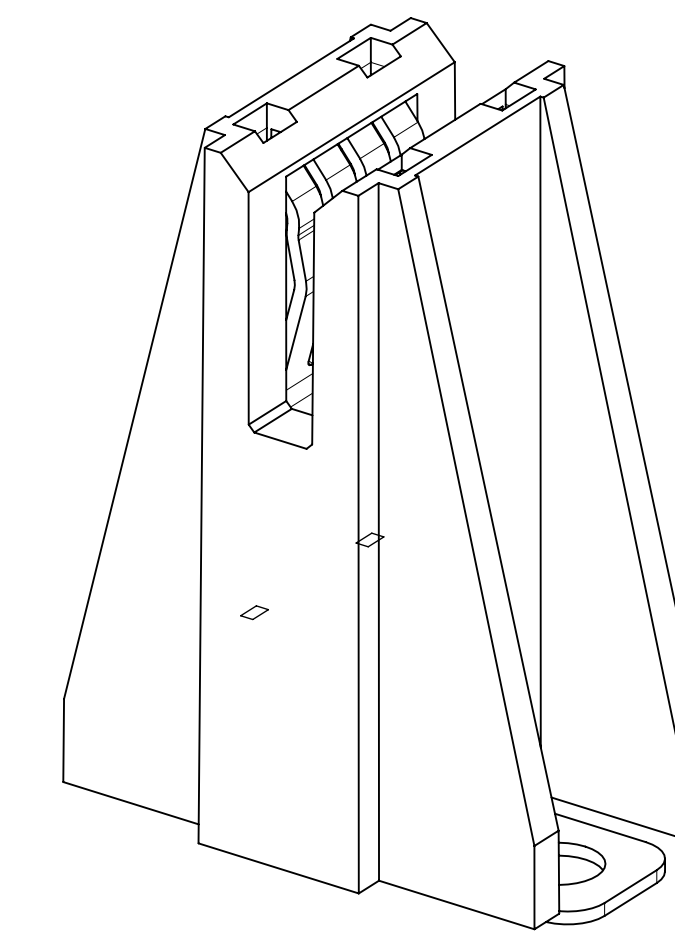
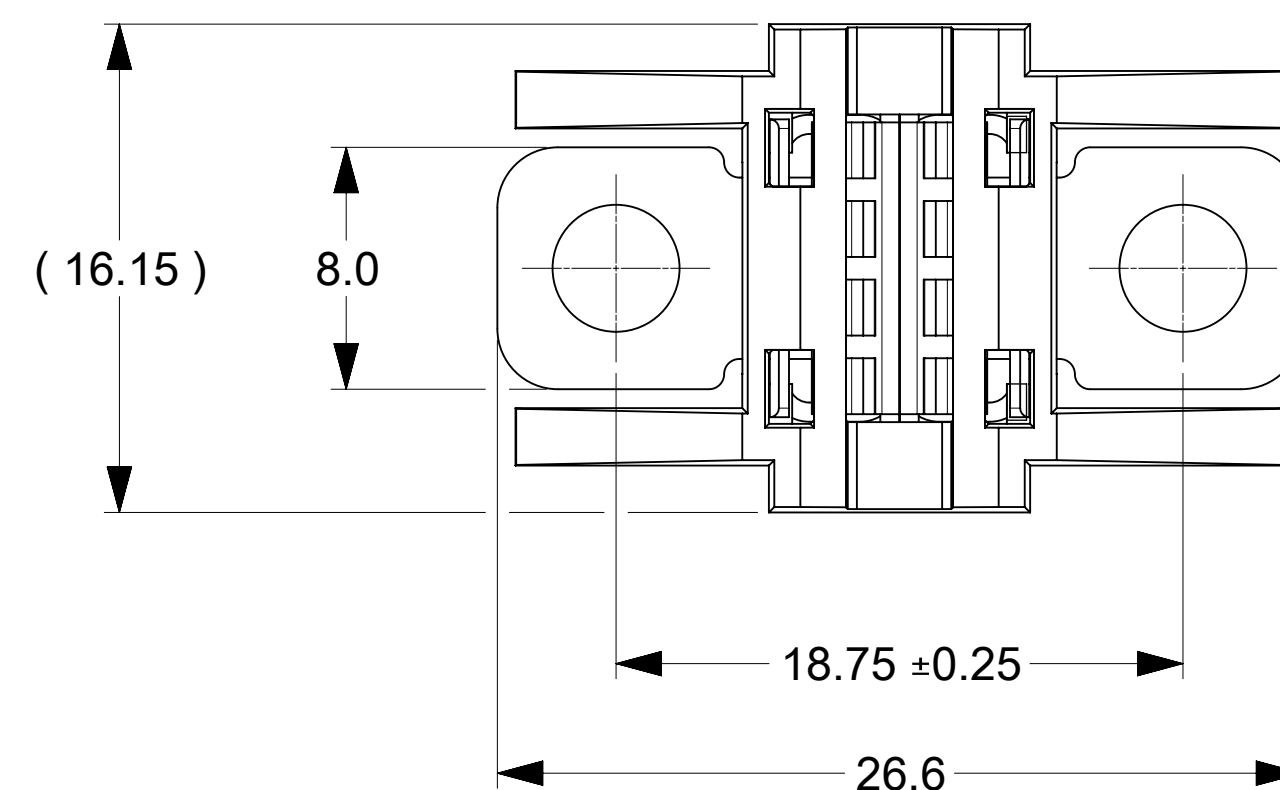
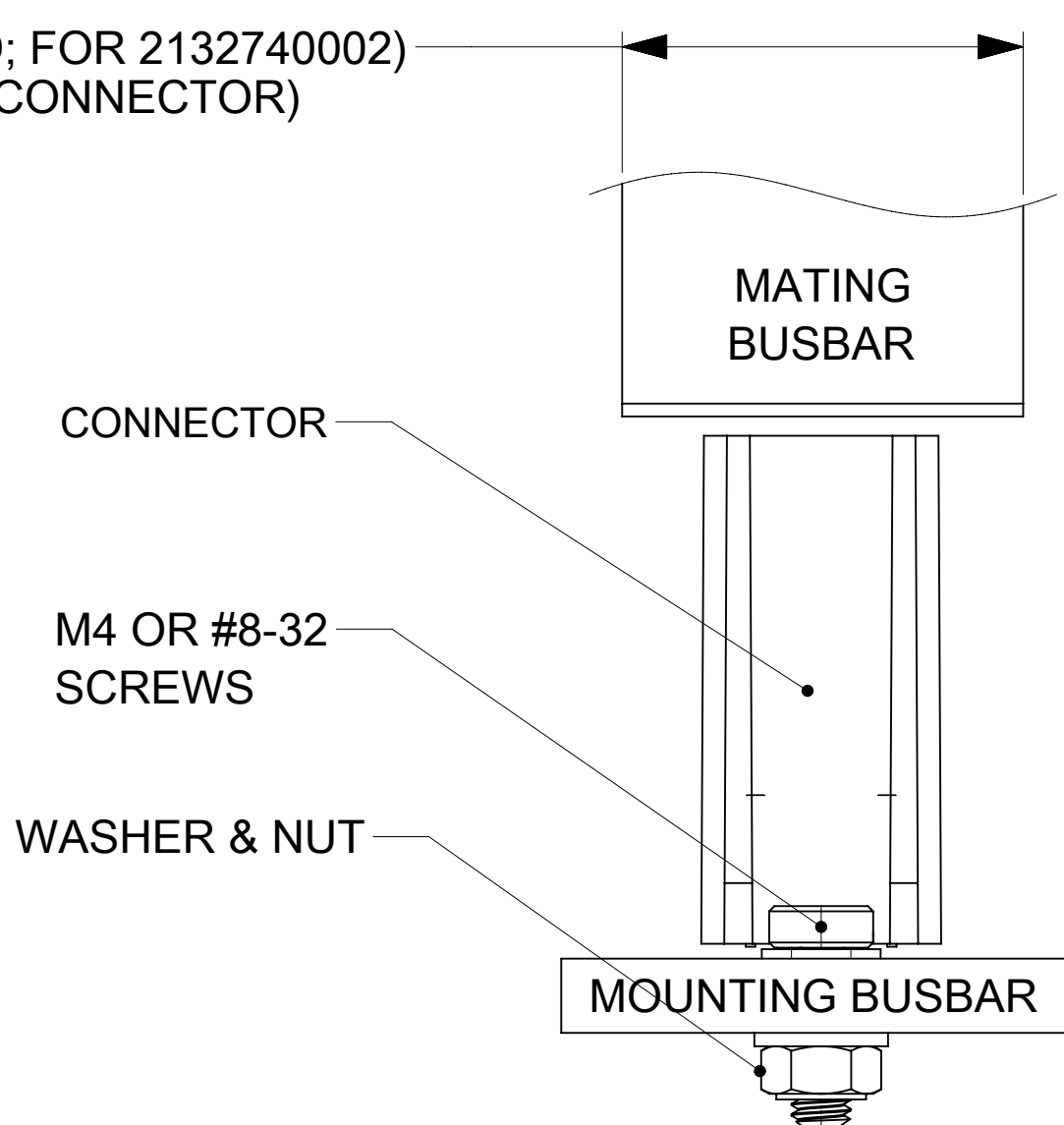


PART NUMBER	DESCRIPTION	NOTE
2132740002	OPEN SIDE WALL (SILVER)	
2132741002	CLOSED SIDE WALL (SILVER)	

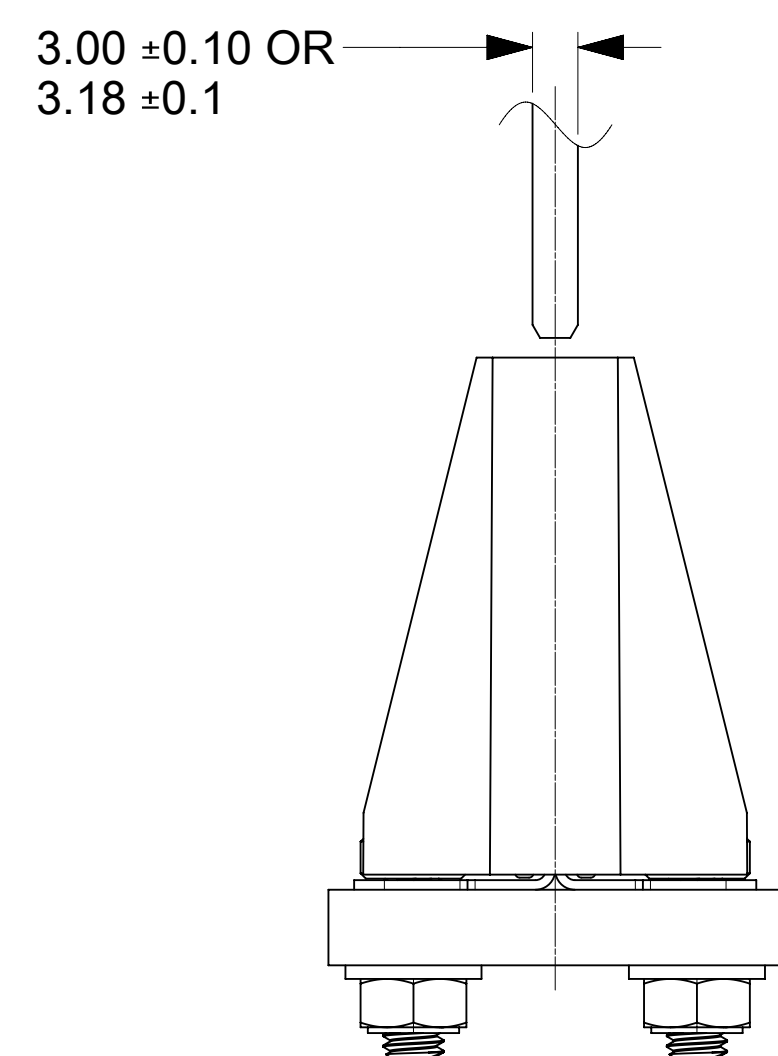
PART NUMBER	DESCRIPTION	NOTE
2132740102	OPEN SIDE WALL (TIN)	
2132741102	CLOSED SIDE WALL (TIN)	



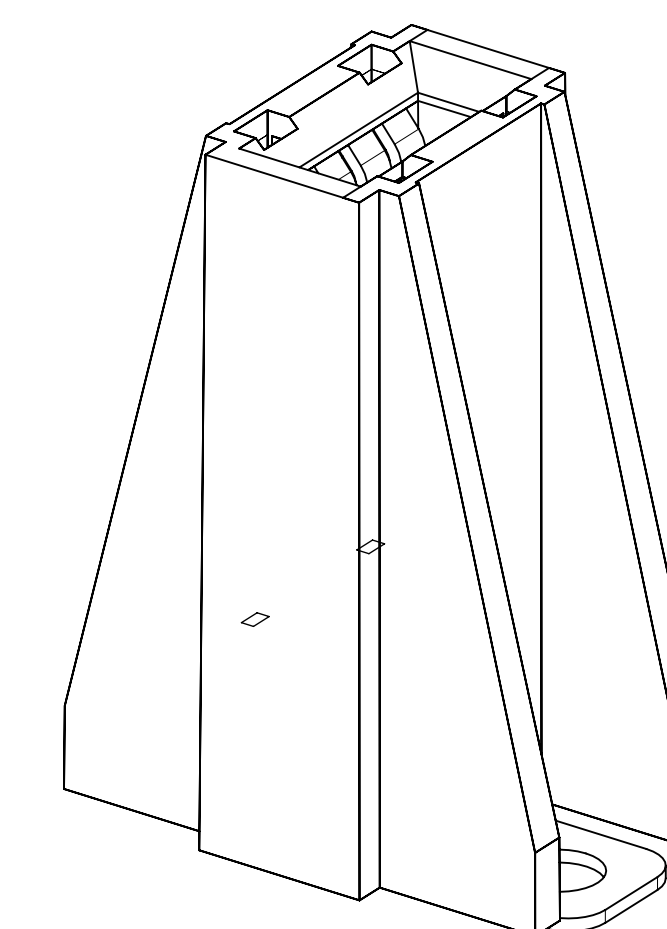
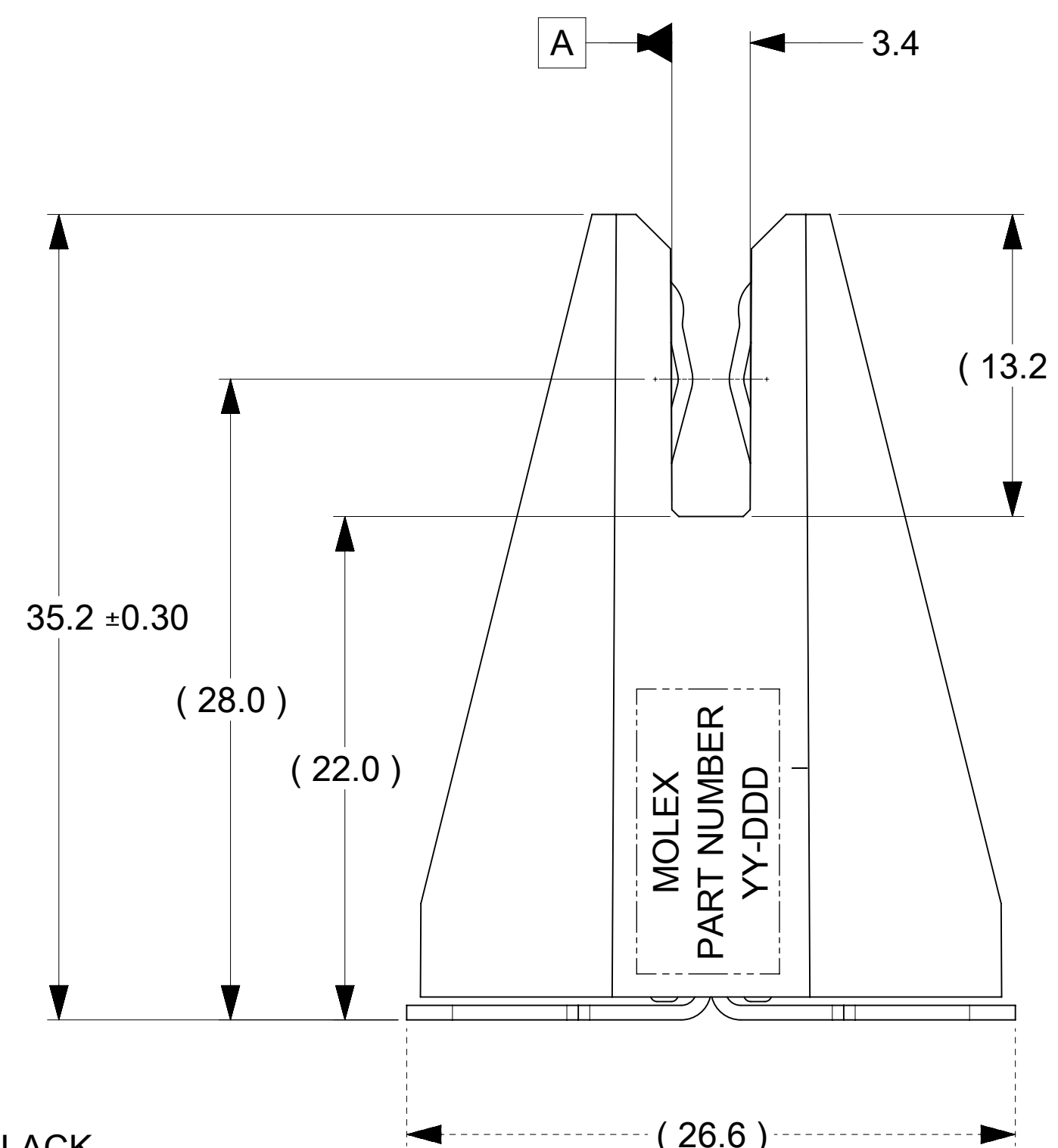
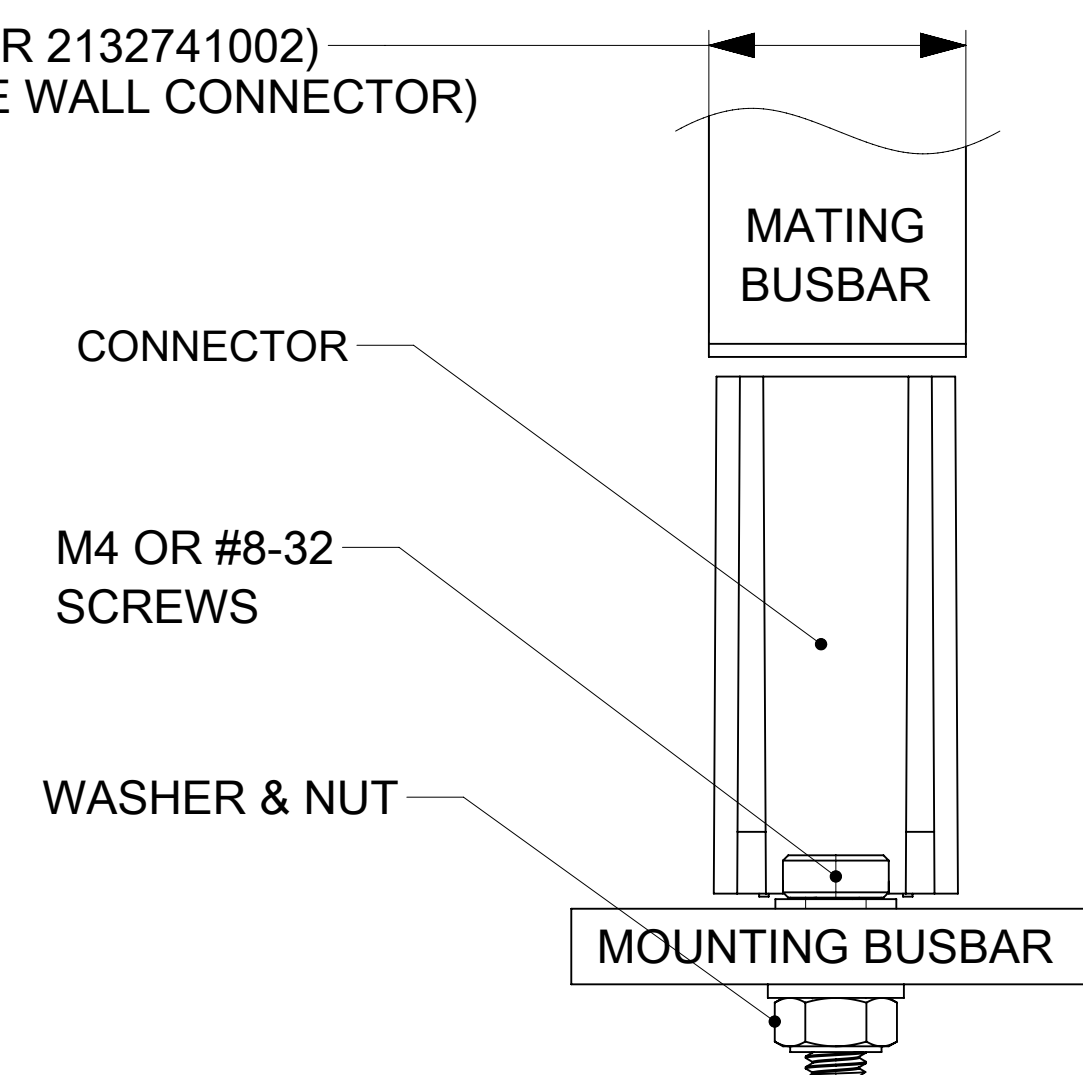
>15 (>20 IS PREFERRED; FOR 2132740002)
(OPEN SIDE WALL CONNECTOR)



PART NUMBER: 2132740002
(OPEN SIDE WALLS)

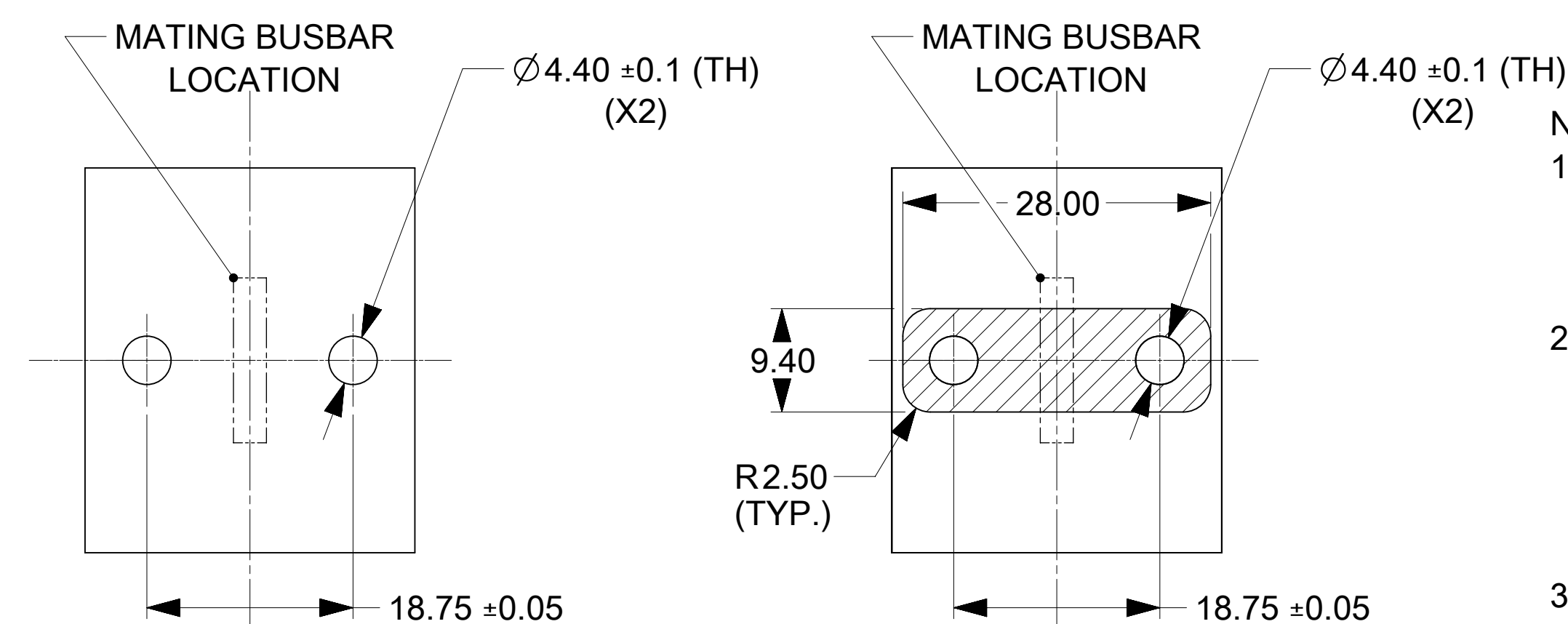


9.5 (FOR 2132741002)
(CLOSED SIDE WALL CONNECTOR)



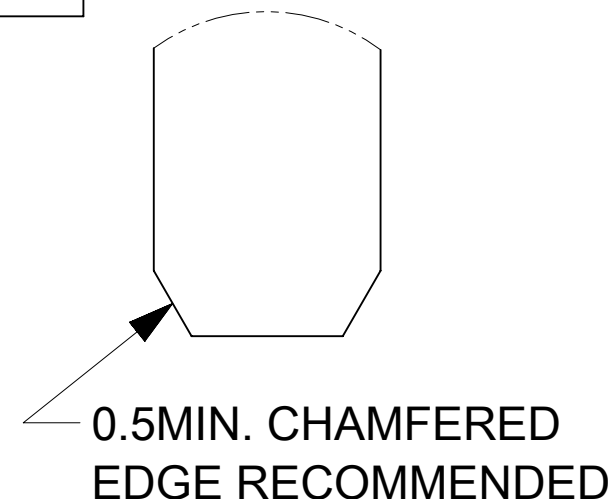
PART NUMBER: 2132741002
(CLOSED SIDE WALLS)

BUSBARS, SCREWS, WASHER AND NUTS
IN THESE VIEWS ARE SHOWN FOR REFERENCE



RECOMMENDED
BUSBAR LAYOUT

RECOMMENDED
PCB LAYOUT



- NOTES: **DETAIL A**
SCALE 10:1
- MATERIALS:
 - HOUSING BODY: POLYMER, UL94V-0, BLACK.
 - TERMINALS: COPPER ALLOY.
 - RIVET/CLIP: COPPER ALLOY.
 - PLATING:
 - CONTACT AREAS:
 - OPTION 1: 3.18 MICRON MIN. SILVER, OVER 1.27 MICRON MIN. NICKEL.
 - OPTION 2: 2.50 MICRON MIN. MATTE TIN OV34 1.27 MICRON MIN. NICKEL.
 - TAB AREAS: 3.18 MICRON MIN. SILVER OVER 1.27 MICRON MIN. NICKEL.
 - REST: 1.27 MICRON MIN. NICKEL.
 - LUBRICATION: LUBED IN CONTACT AREA.
 - REFERENCE DOCUMENT:
 - SILVER VERSION: 2132740001-PS, 2132740001-AS.
 - TIN VERSION: 2132740002-PS, 2132740001-AS.
 - MODULE ASSEMBLY IS RoHS COMPLIANT.
 - FINAL ASSEMBLY TO BE PACKAGED AND LABELED PER PACKAGING
KIT DRAWING NUMBER 2132740002-PK.

THIS DRAWING CONTAINS INFORMATION THAT IS PROPRIETARY TO MOLEX ELECTRONIC TECHNOLOGIES, LLC AND SHOULD NOT BE USED WITHOUT WRITTEN PERMISSION									
DIMENSION UNITS		SCALE		CURRENT REV DESC:					
mm		3:1		<p>molex</p> <p>POWER PLANE BBC 4C VERTICAL</p> <p>PRODUCT CUSTOMER DRAWING</p> <p>DOCUMENT NUMBER: 2132740002-SD DOC TYPE: PSD DOC PART: 000 REVISION: B1</p> <p>MATERIAL NUMBER: SEE CHART CUSTOMER: SHEET NUMBER: 1 OF 1</p>					
GENERAL TOLERANCES (UNLESS SPECIFIED)									
ANGULAR TOL ± °									
4 PLACES ±		EC NO: 785440							
3 PLACES ±		DRWN: JOEJ3 2024/04/23							
2 PLACES ± 0.15		CHK'D: JAYK1 2024/05/09							
1 PLACE ± 0.25		APPR: JAYK1 2024/05/09							
0 PLACES ±		INITIAL REVISION:							
DRAFT WHERE APPLICABLE MUST REMAIN WITHIN DIMENSIONS		DRWN: TOMLU 2021/06/23		APPR: BPISZCZOR 2022/03/09		SERIES: 213274		DRAWING: D-SIZE	