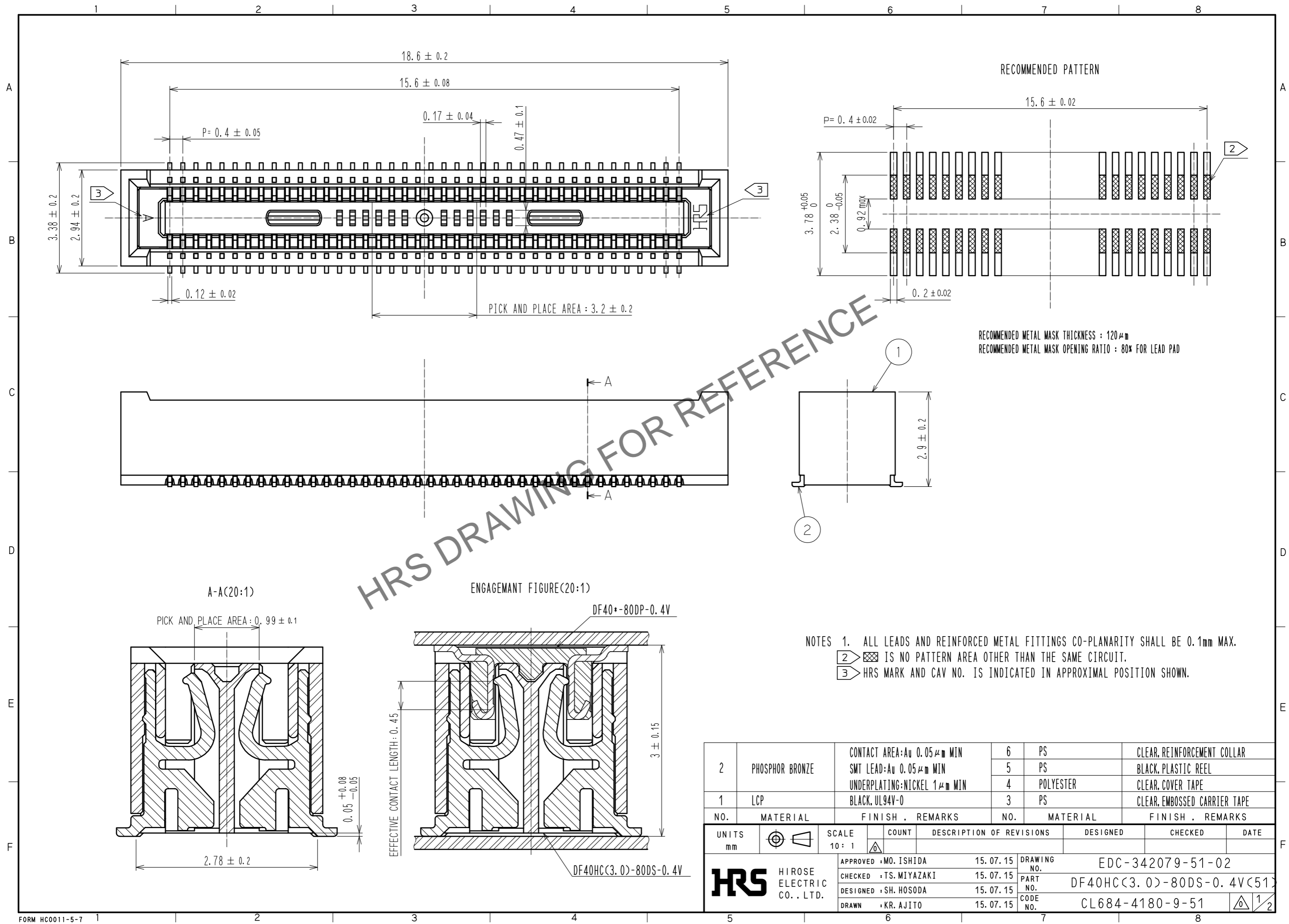


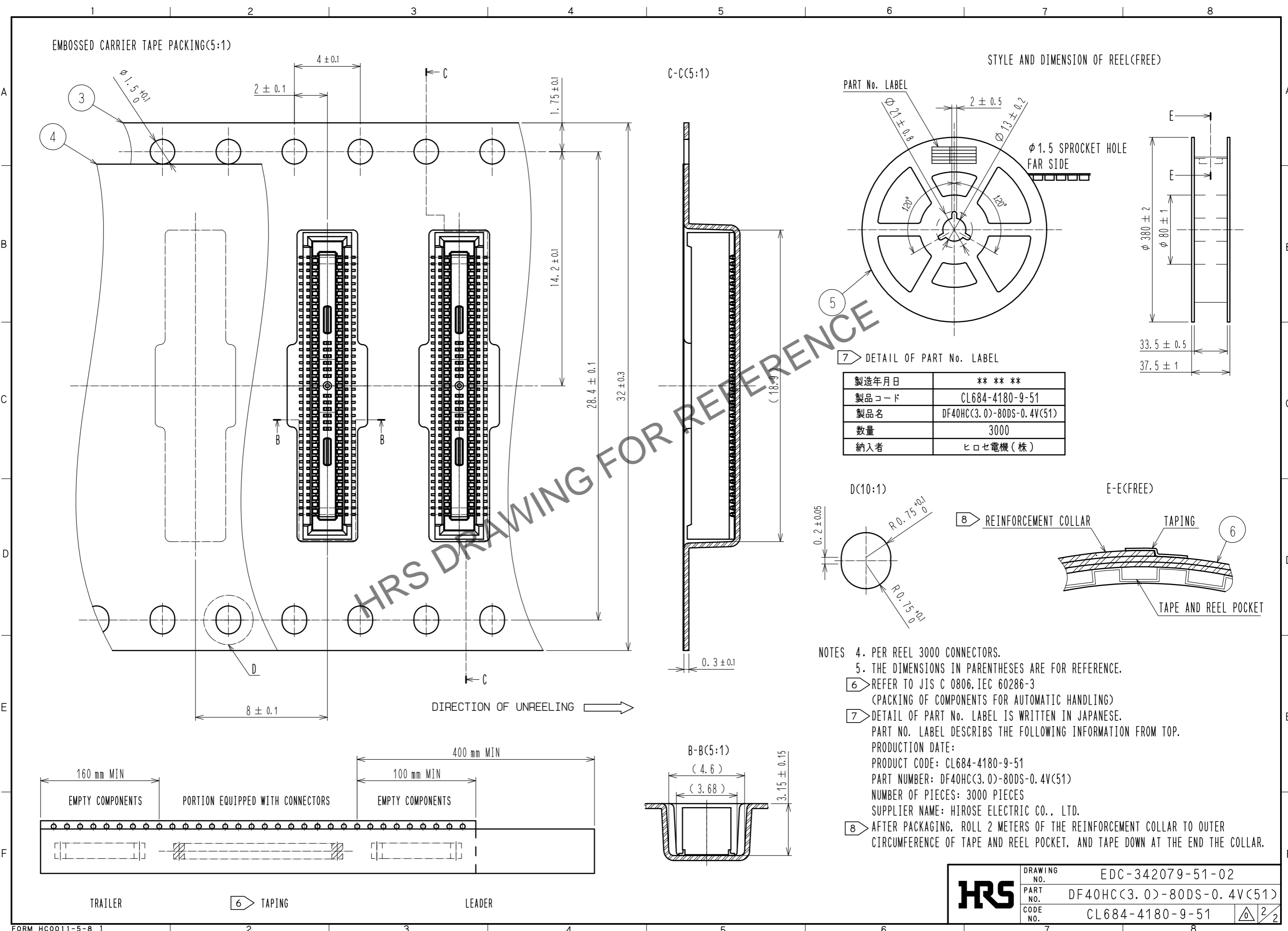
May.1.2024 Copyright 2024 HIROSE ELECTRIC CO., LTD. All Rights Reserved.
In case of consideration for using Automotive equipment / device which demand high reliability, kindly contact our sales window correspondents.



NO.	MATERIAL	FINISH	REMARKS	NO.	MATERIAL	FINISH	REMARKS
2	PHOSPHOR BRONZE	CONTACT AREA: Au 0.05 μ m MIN SMT LEAD: Au 0.05 μ m MIN UNDERPLATING: NICKEL 1 μ m MIN		6	PS		CLEAR, REINFORCEMENT COLLAR
				5	PS		BLACK, PLASTIC REEL
				4	POLYESTER		CLEAR, COVER TAPE
1	LCP	BLACK, UL94V-0		3	PS		CLEAR, EMBOSSED CARRIER TAPE

UNITS	SCALE	COUNT	DESCRIPTION OF REVISIONS	DESIGNED	CHECKED	DATE
mm	10:1					
APPROVED : MO. ISHIDA			15.07.15	DRAWING NO. EDC-342079-51-02		
CHECKED : TS. MIYAZAKI			15.07.15	PART NO. DF40HC(3.0)-80DS-0.4V(51)		
DESIGNED : SH. HOSODA			15.07.15	CODE NO. CL684-4180-9-51		
DRAWN : KR. AJITO			15.07.15	1/2		

May.1.2024 Copyright 2024 HIROSE ELECTRIC CO., LTD. All Rights Reserved.
In case of consideration for using Automotive equipment / device which demand high reliability, kindly contact our sales window correspondents.



HRS	DRAWING NO.	EDC-342079-51-02
	PART NO.	DF40HC(3.0)-80DS-0.4V(51)
	CODE NO.	CL684-4180-9-51
		2/2