

5-965641-1 ✓ ACTIVE

AMP | Timer Connector System

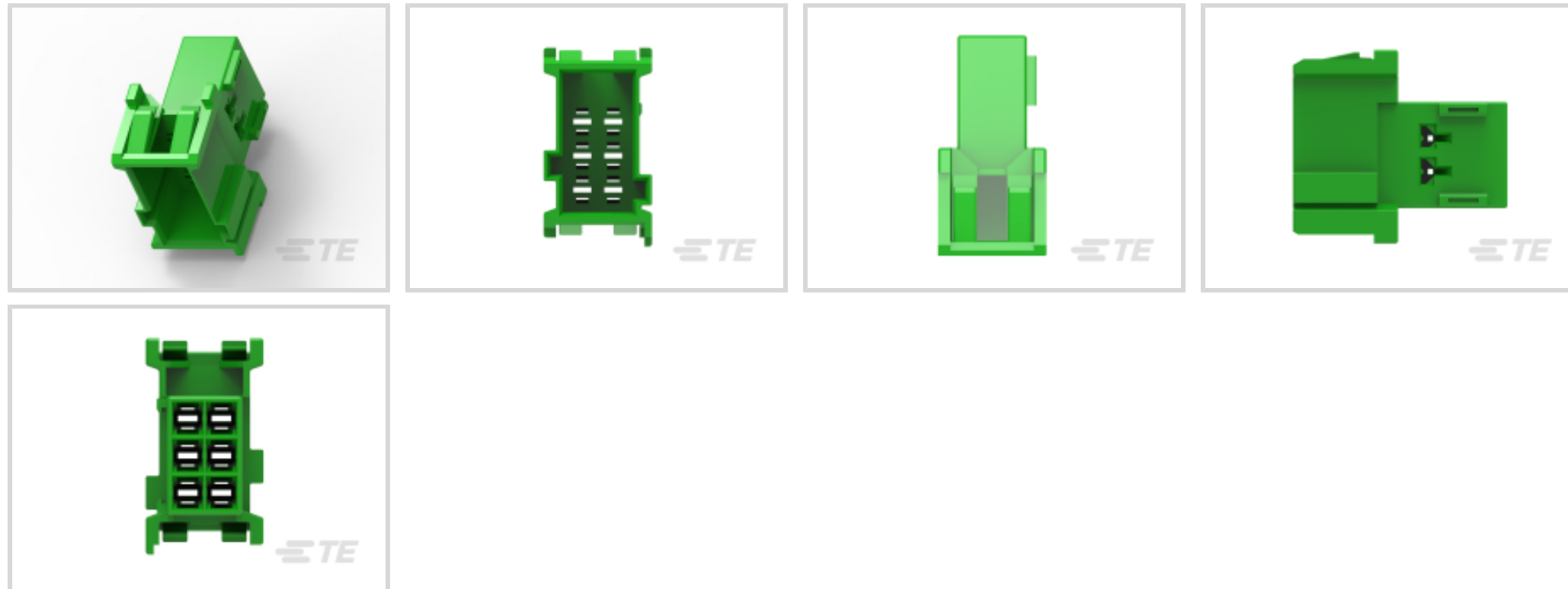
TE Internal #: 5-965641-1

Housing for Male Terminals, Wire-to-Board / Wire-to-Wire, 6  
Position, 5 mm [.197 in] Centerline, Green, Wire & Cable, Power,  
Timer Connector System

[View on TE.com >](#)



Connectors > Automotive Connectors > Automotive Housings > Timer Connector Housing



Connector System: **Wire-to-Board, Wire-to-Wire**

Number of Positions: **6**

Connector & Housing Type: **Housing for Male Terminals**

Centerline (Pitch): **5 mm [.197 in]**

Sealable: **No**

[All Timer Connector Housing \(515\)](#)

## Features

### Product Type Features

|                                   |                             |
|-----------------------------------|-----------------------------|
| Mixed & Hybrid Connector          | No                          |
| Connector Shape                   | Rectangular                 |
| Connector System                  | Wire-to-Board, Wire-to-Wire |
| Connector & Housing Type          | Housing for Male Terminals  |
| Sealable                          | No                          |
| Connector & Contact Terminates To | Wire & Cable                |
| Primary Locking Feature           | Integrated in Housing       |

### Configuration Features

|                     |   |
|---------------------|---|
| Number of Positions | 6 |
| Number of Rows      | 2 |

### Electrical Characteristics

|                   |        |
|-------------------|--------|
| Operating Voltage | 28 VDC |
|-------------------|--------|



|                              |      |
|------------------------------|------|
| Nominal Voltage Architecture | 28 V |
|------------------------------|------|

### Body Features

|                         |       |
|-------------------------|-------|
| Cable Exit Angle        | 180°  |
| Primary Product Color   | Green |
| Connector & Keying Code | E     |

### Contact Features

|                  |                 |
|------------------|-----------------|
| Contact Size     | 2.8mm           |
| Contact Type     | Tab             |
| Mating Tab Width | 2.8 mm [.11 in] |

### Mechanical Attachment

|                             |                            |
|-----------------------------|----------------------------|
| Terminal Position Assurance | No                         |
| Strain Relief               | Without                    |
| Mating Alignment Type       | Keyed                      |
| Mating Alignment            | With                       |
| Connector Mounting Type     | Cable Mount (Free-Hanging) |

### Housing Features

|                    |                |
|--------------------|----------------|
| Housing Material   | PA GF          |
| Centerline (Pitch) | 5 mm [.197 in] |

### Dimensions

|                  |                     |
|------------------|---------------------|
| Connector Height | 30.6 mm [1.205 in]  |
| Product Width    | 35.45 mm [1.396 in] |
| Product Length   | 17.5 mm [.689 in]   |

### Usage Conditions

|                             |                             |
|-----------------------------|-----------------------------|
| Operating Temperature (Max) | 120 °C [248 °F]             |
| Operating Temperature Range | -40 – 120 °C [-40 – 248 °F] |

### Operation/Application

|                     |       |
|---------------------|-------|
| Circuit Application | Power |
|---------------------|-------|

### Packaging Features

|                    |              |
|--------------------|--------------|
| Packaging Quantity | 1500         |
| Packaging Method   | Box & Carton |

### Other



|                                      |    |
|--------------------------------------|----|
| Serviceable                          | No |
| Connector Position Assurance Capable | No |

### Product Compliance

[For compliance documentation, visit the product page on TE.com>](#)

|                                               |                                                                                                                                |
|-----------------------------------------------|--------------------------------------------------------------------------------------------------------------------------------|
| EU RoHS Directive 2011/65/EU                  | Compliant                                                                                                                      |
| EU ELV Directive 2000/53/EC                   | Compliant                                                                                                                      |
| China RoHS 2 Directive MIIT Order No 32, 2016 | No Restricted Materials Above Threshold                                                                                        |
| EU REACH Regulation (EC) No. 1907/2006        | Current ECHA Candidate List: JUNE 2024 (241)<br>Candidate List Declared Against: JAN 2024 (240)<br>Does not contain REACH SVHC |
| Halogen Content                               | BFR/CFR/PVC Free, but Br/Cl >900 ppm in other sources.                                                                         |
| Solder Process Capability                     | Not reviewed for solder process capability                                                                                     |

#### Product Compliance Disclaimer

This information is provided based on reasonable inquiry of our suppliers and represents our current actual knowledge based on the information they provided. This information is subject to change. The part numbers that TE has identified as EU RoHS compliant have a maximum concentration of 0.1% by weight in homogenous materials for lead, hexavalent chromium, mercury, PBB, PBDE, DBP, BBP, DEHP, DIBP, and 0.01% for cadmium, or qualify for an exemption to these limits as defined in the Annexes of Directive 2011/65/EU (RoHS2). Finished electrical and electronic equipment products will be CE marked as required by Directive 2011/65/EU. Components may not be CE marked. Additionally, the part numbers that TE has identified as EU ELV compliant have a maximum concentration of 0.1% by weight in homogenous materials for lead, hexavalent chromium, and mercury, and 0.01% for cadmium, or qualify for an exemption to these limits as defined in the Annexes of Directive 2000/53/EC (ELV). Regarding the REACH Regulation, the information TE provides on SVHC in articles for this part number is based on the latest European Chemicals Agency (ECHA) 'Guidance on requirements for substances in articles' posted at this URL: <https://echa.europa.eu/guidance-documents/guidance-on-reach>

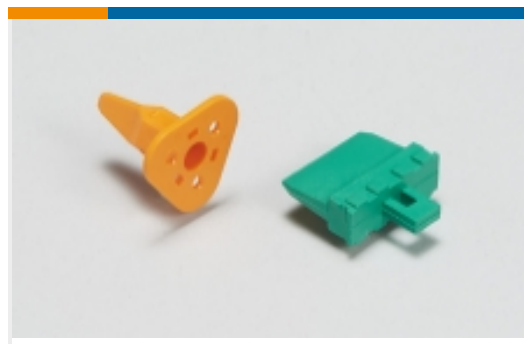
### Compatible Parts



### Also in the Series | [Timer Connector System](#)



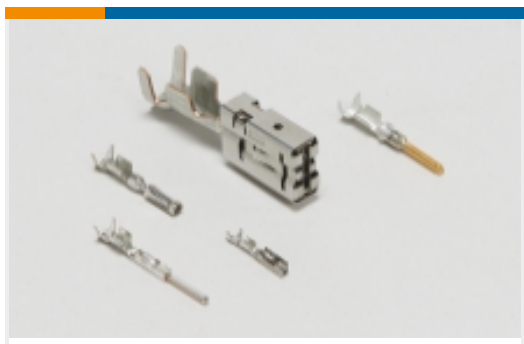
Automotive Connector Caps & Covers (14)



Automotive Connector Locks & Position Assurance(15)



Automotive Housings(215)



Automotive Terminals(135)



Connector Seals & Cavity Plugs(38)



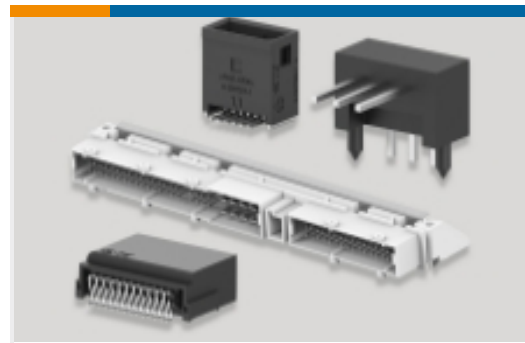
Crimp Terminal Housings(13)



Insertion & Extraction Tools(18)



Other Automotive Connector Accessories(1)



PCB Headers & Receptacles(40)



Quick Disconnects(4)

## Customers Also Bought



TE Part #368388-1  
MOS RETAINER HSG FOR 40P



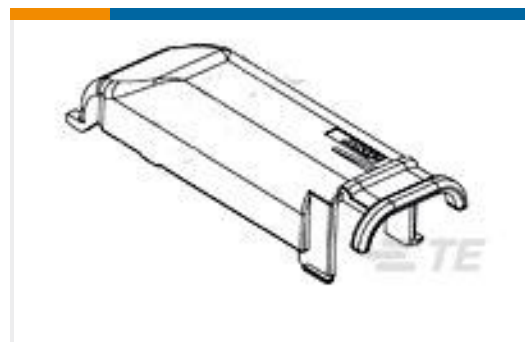
TE Part #368376-1  
MOS, CONNECTOR HOUSING



TE Part #3-967628-1  
AMP Unsealed Connector Housing



TE Part #368401-1  
COVER HSG FOR 40P(SIEMENS)



TE Part #368389-1  
COVER HSG FOR 81P(SIEMENS)

## Documents



### Product Drawings

#### 6POS. TAB HOUSING, 2.8MM

English

---

### CAD Files

#### 3D PDF

3D

#### Customer View Model

[ENG\\_CVM\\_CVM\\_5-965641-1\\_D.2d\\_dxf.zip](#)

English

#### Customer View Model

[ENG\\_CVM\\_CVM\\_5-965641-1\\_D.3d\\_igs.zip](#)

English

#### Customer View Model

[ENG\\_CVM\\_CVM\\_5-965641-1\\_D.3d\\_stp.zip](#)

English

By downloading the CAD file I accept and agree to the [Terms and Conditions](#) of use.

---

### Product Specifications

#### Application Specification

English