

| Technische Daten/TECHNICAL DATA | | |
|--------------------------------------|--|--------------------------------|
| Steckverbinder-Norm | IEC 60603-7-51 | CONNECTOR STANDARD |
| Mechanische Eigenschaften | | MECHANICAL CHARACTERISTICS |
| Steckkraft | < 30 N | INSERTION FORCE |
| Lebensdauer | > 750 | LIFE |
| Kabelabzugskraft | min. 50 N | CABLE TO PLUG TENSILE STRENGTH |
| Werkstoffe | | MATERIALS |
| Steckergehäuse | Zinkdruckguß vernickelt / ZINC DIECAST Ni PLATED | CONNECTING HOUSING |
| Kontaktgehäuse | PC UL 94 V0 glasklar / CRYSTAL CLEAR | CONTACT HOUSING |
| Adernvorsortierung | PC UL94 V0 weiss / WHITE | WIRE PRESORTING |
| Zugentlastung | PBT IL94 V0 schwarz / BLACK | STRAIN RELIEF |
| Verriegelungshebel, Staubschutzkappe | PBT UL94 V0 schwarz / BLACK | HOOK, PROTECTION CAP |
| Schirmblech | Federstahl, SPRING STEEL | SCREENING SHIELD |
| Leiterplatte | FR4 UL94 V0 | PCB |
| Durchdring-Kontakte | Phosphor Bronze, min. 3...6 µm Sn | PIERCING CONTACTS |
| Schirmkontakt | Messing / BRASS 2,5µm N1 | SHIELD CONTACT |
| Kontakte | Federstahl / SPRING STEEL 0,8 µm Au; 1,2 µm Ni | CONTACTS |
| Richtlinie 2011/65/EU (RoHS) | RoHS-konform / RoHS-COMPLIANT | DIRECTIVE 2001/65/EU (RoHS) |
| Adernanschluss | | WIRE CONNECTION |
| Cu-Leiterdurchmesser (1300478009) | Massiv / SOLID 0,51 - 0,64 mm AWG24 - AWG 22/1 Litze / STRANDED 0,46 - 0,76 mm AWG27 - AWG22/7 *Litze / STRANDED 0,61 - 0,78 mm AWG24-AWG22/19 | Cu-CONDUCTOR DIAMETER |
| Cu-Leiterdurchmesser (1300478011) | Massiv / SOLID 0,41 - 0,51 mm AWG26 - AWG24/1 Litze / STRANDED 0,46 - 0,61 mm AWG27 - AWG24/7 *Litze / STRANDED 0,51 mm AWG26/19 | Cu-CONDUCTOR DIAMETER |
| Aderndurchmesser (1300478009) | 1,0 - 1,6 mm | CORE DIAMETER |
| Aderndurchmesser (1300478011) | 0,85 - 1,1 mm | INSULATION DIAMETER |
| Kabeldurchmesser | 5,5 - 10,0 mm | CABLE DIAMETER |

| Anschluss / CONNECTION | | | Anwendung / APPLICATION | | | | |
|--------------------------------|--------|----------|-------------------------|----------------|--------------------------------|--------------------|-----------|
| Farbcode / COLOUR OF CODE T568 | | Profinet | RJ45 PIN Nr./NO. | 10 BT / 100 BT | 1 Gigabit/ 10 Gigabit Ethernet | Token Ring ISDN/So | Upo / TEL |
| A | B | | | | | | |
| W - G | W - O | YE | 1 | • | • | | |
| G | O | OG | 2 | • | • | | |
| W - O | W - G | WH | 3 | • | • | • | |
| BL | BL | - | 4 | | • | • | • |
| W - BL | W - BL | - | 5 | | • | • | • |
| O | G | BU | 6 | • | • | • | |
| W - BR | W - BR | - | 7 | | • | | |
| BR | BR | - | 8 | | • | | |

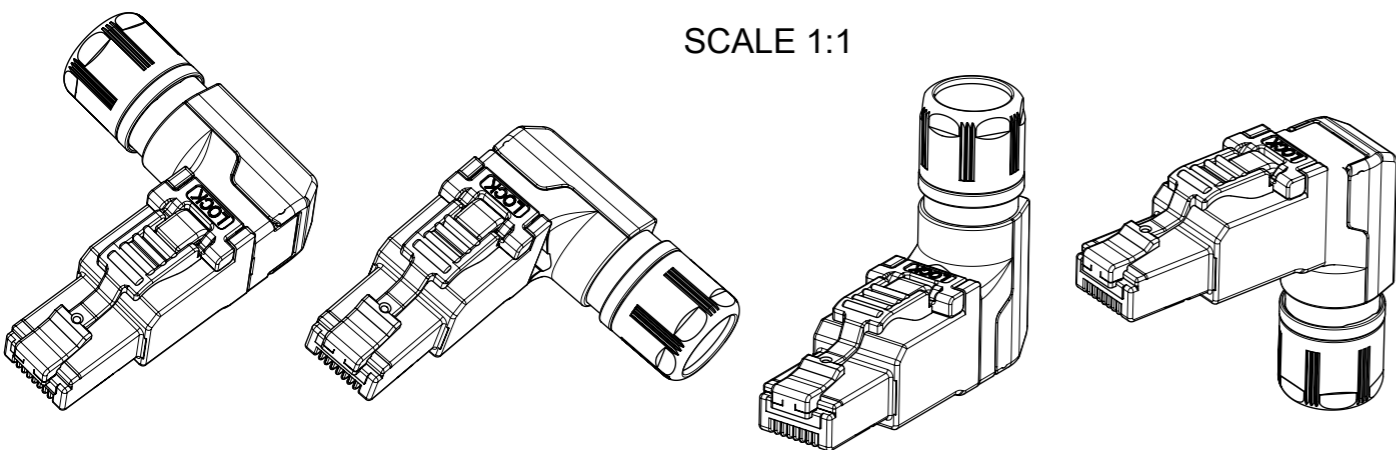
ENG.-NO: E6AS07-5

| | | | | | |
|---|--|--|-----------------|------------|---|
| QUALITY SYMBOLS ▽ = 0 ▽ = 0 ▽ = 0 ▽ = 0 ▽ = 0 ▽ = 0 ▽ = 0 ▽ = 0 ▽ = 0 ▽ = 0 | THIS DRAWING CONTAINS INFORMATION THAT IS PROPRIETARY TO MOLEX INCORPORATED AND SHOULD NOT BE USED WITHOUT WRITTEN PERMISSION EC NO: 109099 DRWN: FDAFERNER CHK'D: APPR: RSILLER | GENERAL TOLERANCES (UNLESS SPECIFIED) ANGULAR TOL ± 1.0 ° 4 PLACES ± 3 PLACES ± 2 PLACES ± 0.05 1 PLACE ± 0.3 0 PLACES ± 0.5 DRAFT WHERE APPLICABLE MUST REMAIN WITHIN DIMENSIONS | DIMENSION UNITS | SCALE | FA RJ45 CAT6A 8P MA RA SHLD IPC AWG22 PRODUCT CUSTOMER DRAWING |
| | | | MM | 2:1 | |
| | | | DRWN BY | DATE | |
| | | | KGRUEDL | 2015/11/25 | |
| CHK'D BY | DATE | | | | |
| APPR BY | DATE | | | | |
| CBRUNS | 2016/04/07 | | | | |
| DRAWING SIZE | THIRD ANGLE PROJECTION | | | | |
| A3 | | | | | |
| SERIES | MATERIAL NUMBER | CUSTOMER | | | |
| 130047 | SEE TABLE 1 | | | | |
| DOCUMENT NUMBER | DOC TYPE | DOC PART | SHEET NUMBER | | |
| 1300478009 | PSD | 000 | 1 OF 2 | | |

| Technische Daten/TECHNICAL DATA | | |
|---|--|--|
| Umweltanforderungen | | EINVIENIRONMENTAL REQUIREMENTS |
| Schutz vor Eindringen | | PROTECTION AGAINST INGRESS |
| Eindringen von Teilchen / Wasser / Untertauchen | IP20 | PARTICULATE INGRESS/ WATER/IMMERSION |
| Klimatisch und chemisch | | CLIMATICAL AND CHEMICAL |
| Umgebungstemperatur | -40°C bis / TO +85°C | AMBIENT TEMPERATURE |
| Elektrische Eigenschaften | | ELECTRICAL CHARACTERISTICS |
| Kontaktwiderstand | ≤ 20 mΩ | CONTACT RESISTANCE |
| Isolationswiderstand | ≥ 500MΩ | INSULATION RESISTANCE |
| Spannungsfestigkeit | | VOLTAGE PROOF |
| Kontakt-Kontakt | ≥ 1000 V, DC | CONTACT-CONTACT |
| Kontakt-Schirm | ≥ 1500 V, DC | CONTACT-SHIELD |
| Strombelastbarkeit bei 50°C | 1 A | CURRENT CARRYING CAPACITY AT 50°C |
| PoE+ gemäß IEEE 802.3at | Geeignet für Power over Ethernet+ ADEQUATE FOR POWER OVER ETHERNET+ | POE+ ACCORDING TO IEEE 802.3AT |
| Übertragungstechnische Eigenschaften** | | TRANSMISSION PERFORMANCE ** |
| 10 Gigabit Ethernet gemäß IEEE 802.3an | Geeignet für 10 Gigabit Ethernet ADEQUATE FOR 10 GIGABIT ETHERNET | 10 GIGABIT ETHERNET ACC. TO IEEE 802.3AN |
| Kategorie 6A | ISO/IEC 11801; DIN EN 50173 - 1 | CATEGORY 6A |
| Klasse EA | ISO/IEC 11801; DIN EN 50173 - 1 | CLASS 6A |
| Kategorie 6A | ANSI/ITA/EIA-568-C.2 | CATEGORY 6A |
| Normen | | STANDARDS |
| IP-Schutzarten | IEC 60529 | DEGREES OF PROTECTION PROVIDED BY ENCLOSURES (IP CODE) |
| Anwendungsneutrale Kommunikationsanlagen | ANSI/TIA/EIA-568-C.2;ISO/IEC 11801; DIN EN 50173-1 | GENERIC CABLE SYSTEMS |
| Zulassung | | APPROVAL |
| UL-gelistet | E361772 | UL LISTED |

TABLE 1

| MATERIAL NO. / Material Nr. | DESCRIPTION / Beschreibung | AWG / Litzenquerschnitt | COLOR CODE / Farbcode |
|-----------------------------|---------------------------------------|-----------------------------------|-----------------------|
| 1300478009 | FA RJ45 CAT6A 8P MA RA SHLD IPC AWG22 | AWG24 - AWG22/1 / AWG27 - AWG22/7 | T 568 B |
| 1300478011 | FA RJ45 CAT6A 8P MA RA SHLD IPC AWG26 | AWG26 - AWG24/1 / AWG27 - AWG24/7 | T 568 B |



| | | | | | | | | | | |
|--|-------|-------|-------|---|--------------------------|---------------------------------------|--|--------------------------|------------------------|--------------|
| QUALITY SYMBOLS | | | | THIS DRAWING CONTAINS INFORMATION THAT IS PROPRIETARY TO MOLEX INCORPORATED AND SHOULD NOT BE USED WITHOUT WRITTEN PERMISSION | | | | | | |
| ▽ = 0 | ▽ = 0 | ▽ = 0 | ▽ = 0 | EC NO: 109099 DRWN: FDAFERNER CHK'D: REV APPR: RSILLER | 2016/10/06 2016/10/07 | GENERAL TOLERANCES (UNLESS SPECIFIED) | | DIMENSION UNITS | SCALE | |
| ▽ = 0 | ▽ = 0 | ▽ = 0 | ▽ = 0 | | | MM | 1:1 | | | |
| ▽ = 0 | ▽ = 0 | ▽ = 0 | ▽ = 0 | | | ANGULAR TOL ± 1.0 ° | | DRWN BY | DATE | |
| ▽ = 0 | ▽ = 0 | ▽ = 0 | ▽ = 0 | | | 4 PLACES ± | 3 PLACES ± | KGRUEDL | 2015/11/25 | |
| ▽ = 0 | ▽ = 0 | ▽ = 0 | ▽ = 0 | | | 2 PLACES ± 0.05 | 1 PLACE ± 0.3 | CHK'D BY | DATE | |
| ▽ = 0 | ▽ = 0 | ▽ = 0 | ▽ = 0 | | | 0 PLACES ± 0.5 | DRAFT WHERE APPLICABLE MUST REMAIN WITHIN DIMENSIONS | APPR BY | DATE | |
| ▽ = 0 | ▽ = 0 | ▽ = 0 | ▽ = 0 | A1 | REV | CBRUNS | 2016/04/07 | DRAWING SIZE | THIRD ANGLE PROJECTION | |
| RELEASE STATUS P1 RELEASE DATE 07.10.2016 13:58:17 | | | | A3 | | | | | | |
| | | | | | | FA RJ45 CAT6A 8P MA RA SHLD IPC AWG22 | | PRODUCT CUSTOMER DRAWING | | |
| | | | | | | SERIES | MATERIAL NUMBER | CUSTOMER | | |
| | | | | | | 130047 | SEE TABLE 1 | | | |
| | | | | | | DOCUMENT NUMBER | | DOC TYPE | DOC PART | SHEET NUMBER |
| | | | | | | 1300478009 | | PSD | 000 | 2 OF 2 |